

HERMETIC FEEDTHROUGH FOR SPACE OR INDUSTRIAL VACUUM APPLICATIONS



Positronic Industries
www.connectpositronic.com

HIVAC®



HIVAC® Series Connectors are feedthroughs equipped with D-Subminiature Adapter Connectors for SPACE or INDUSTRIAL vacuum applications.

The HIVAC® Connector configuration requires three separate units to function properly. The center unit is the feedthrough. This feedthrough requires two adapter units, one for the atmospheric side and one for the vacuum side.

Both sides of the feedthrough contain four threaded mounting holes and an o-ring groove. These redundant features allow either side of the connector to be mounted toward the vacuum, giving the customer the ultimate in flexibility.

The feedthrough has always Female/Female contacts.

The contact type of Adapter Connector is always as male next to the feedthrough and the other sides are according to the Customer request, Male/Male or Male/Female for the normal density, and for the high density it is systematically Male/Female.

A feedthrough has 5 types of insulators: 37 or 50 contacts for normal D and 44, 62 and 104 contacts for high D.

An Adapter Connector allows several combinations with a feedthrough.

The advantage of this system is that it allows the user the flexibility to purchase a single feedthrough and use it with a variety of adapters.

HIVAC® series connectors utilize precision machined contacts for strength and durability. The materials and finishes, as well as the technical characteristics of the HIVAC® series connectors, conform to MIL-DTL-24308, Goddard and SPACE-D32 specifications.

All HIVAC® Series connectors are 100 % leak tested after fabrication.

MATERIALS AND FINISHES

Insulator:	Glass-filled DAP per ASTM-D-5948 or polyester glass-filled per ASTM D 5927, UL94V0, ASTM E-595, NASA-RP-1124.
Contacts:	Precision machined copper alloy.
Posiband Spring Clip:	BeCu (Copper alloy).
Contact Plating:	0,000050 inch (1,25 microns) gold over copper plate.
Shells:	Brass with 0,000050 inch (1,25 microns) gold over copper plate or stainless steel.
Housing:	Aluminium alloy, golden brown conversion coating.
O-ring:	Viton (fluorocarbon). Other material per request. One mounting and one for spare part.

ELECTRICAL CHARACTERISTICS AT SEA LEVEL

Contact Current Rating:	7,5A nominal, size 20 5A nominal, size 22
Initial Contact Resistance:	0.005 ohms maximum.
Proof Voltage:	1000 V r.m.s.
Insulator Resistance:	5 G ohms.
Clearance And Creepage Distance:	0.039 inch (1,0 mm) minimum.
Working Voltage:	300 V r.m.s.
Residual Magnetism for Space Flight Versions :	Consult factory.

MECHANICAL CHARACTERISTICS

Fixed Contacts:	Size 20 Contact: 0,040 inch (1,02mm) mating diameter. Female Posiband contact: Closed entry design
	Size 22 Contact: 0,030 inch (0,76mm) mating diameter. Female Posiband Contact: Closed entry design.
Contact Adapter:	Male to female.
Contact Retention In Insert:	9 lbs. (40 N).
Shells:	Male shells may be dimpled for EMI/ESD ground paths.
Polarization:	Trapezoidally shaped shells.
Mechanical Operations:	500 operations, minimum, per IEC 60512-5.

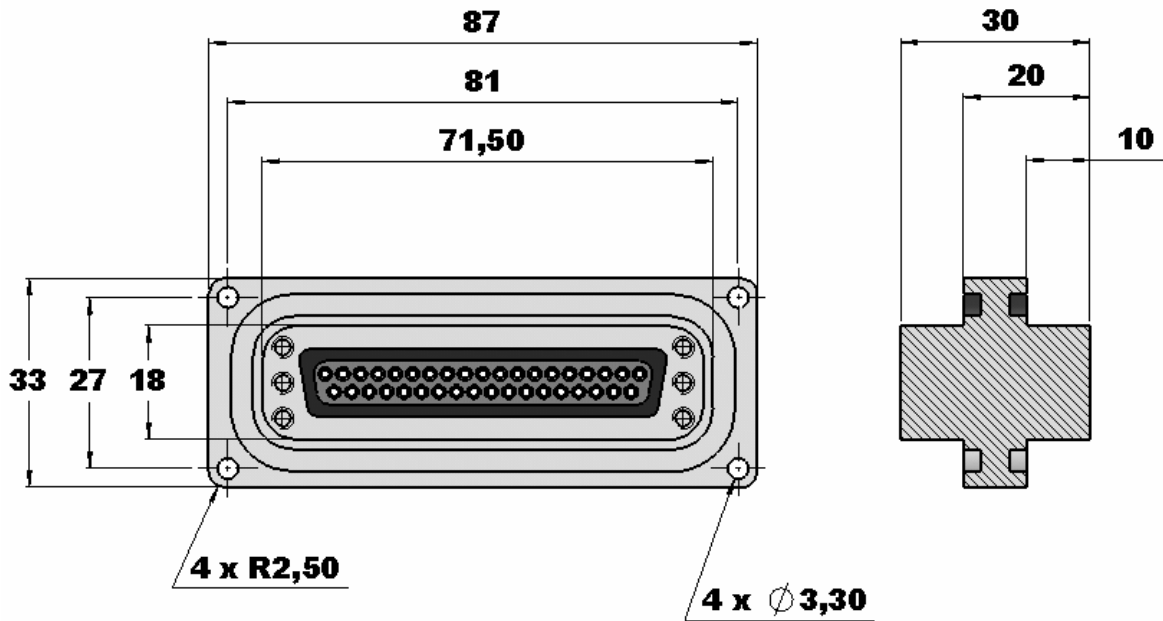
CLIMATIC CHARACTERISTICS

Temperature Range:	-40 to +125°C. The temperature range can be expended under certain conditions. Consult factory.
Helium Leak Rate At Ambient temperature:	< 5x10 ⁻⁹ mbar.l/s under a vacuum of 1.5x10 ⁻² mbar.
Outgassing Non-Metallic Material:	Total Mass Loss – TML < 1 %. Collected Volatile Condensable Materials – CVCM < 0,1 %.

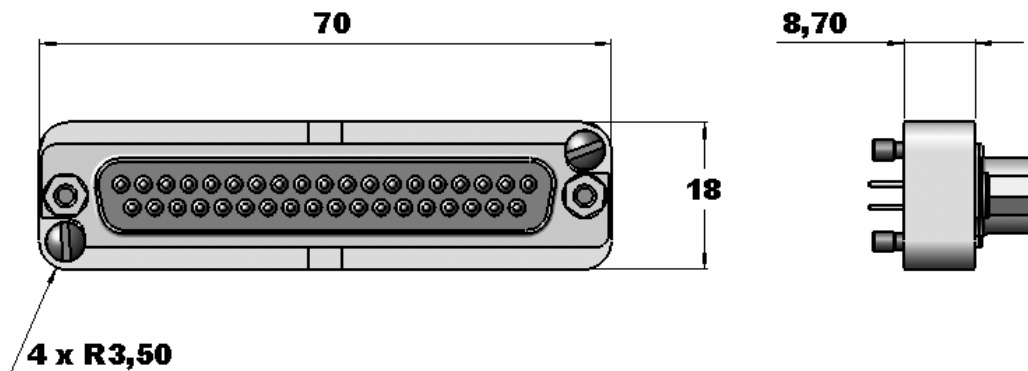


HERMETIC FEEDTHROUGH FOR SPACE OR INDUSTRIAL VACUUM APPLICATIONS

HIVAC® FEEDTHROUGH DIMENSIONS



HIVAC® ADAPTER DIMENSIONS



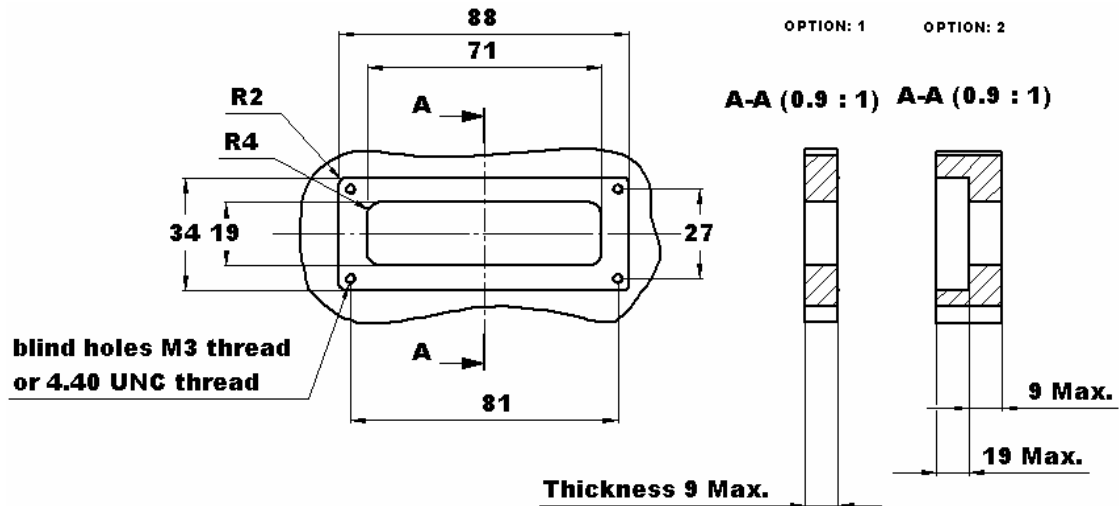
*All dimensions are in mm.
All dimensions are subject to change.*

HERMETIC FEEDTHROUGH FOR SPACE OR INDUSTRIAL VACUUM APPLICATIONS

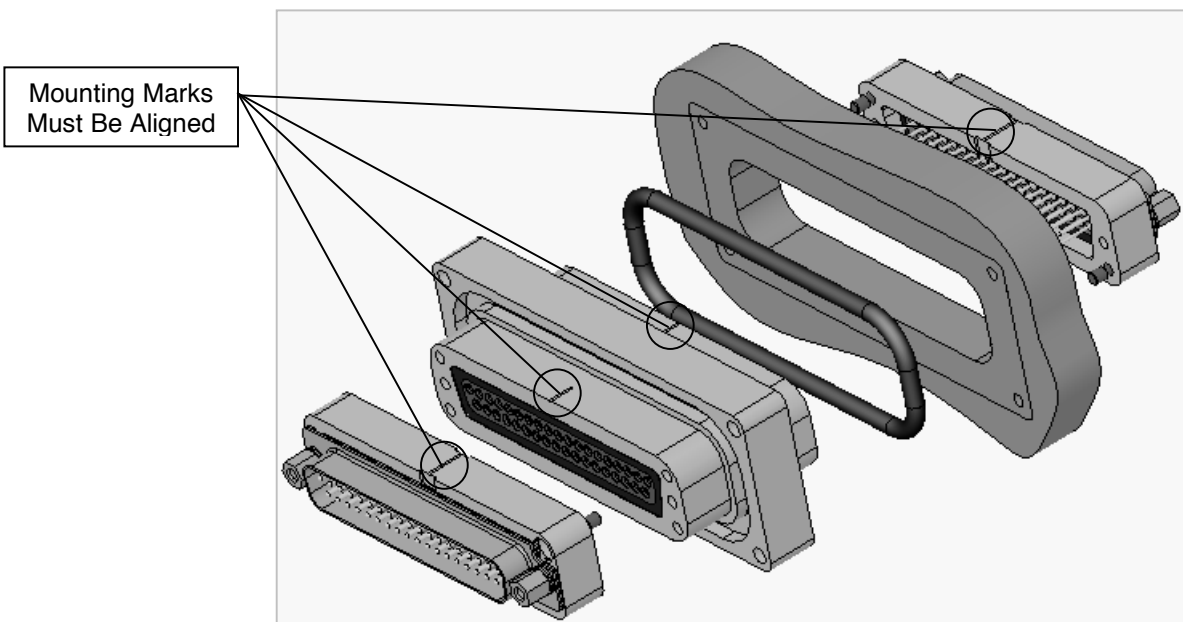


Positronic Industries
www.connectpositronic.com

HIVAC® FEEDTHROUGH PANEL CUTOUT INFORMATION



HIVAC® FEEDTHROUGH AND HIVAC ADAPTER MOUNTING



*All dimensions are in mm.
All dimensions are subject to change.*



HERMETIC FEEDTHROUGH FOR SPACE OR INDUSTRIAL VACUUM APPLICATIONS

ORDERING INFORMATION – CODE NUMBERING SYSTEMS

FEEDTHROUGH PART-NUMBERS

STEP	1	2	3	4
EXAMPLE	HIVAC	37	.0	S****
STEP 1 – BASIC SERIES HIVAC FEEDTHROUGH			STEP 4 – SPECIAL OPTIONS Consult Sales Department	
STEP 2 – CONNECTOR VARIANTS Normal density 37-50 High density 44-62-104			STEP 3 – TYPE OF CONTACTS LAYOUTS 0 : Normal density 1 : High density	

ADAPTER PART-NUMBERS

STEP	1	2	3	4	5	6
EXAMPLE	HIVAC	37	.25	M	G	S****
STEP 1 – BASIC SERIES HIVAC ADAPTER			STEP 6 – SPECIAL OPTIONS Consult Sales Department			
STEP 2 – HIVAC FEED-THROUGH Normal density 37-50 High density 44-62-104			STEP 5 – TYPE OF APPLICATIONS G : Gold for Space version D : Gold and Dimpled for Space Version S : Stainless-steel for Space version Residual magnetism, consult factory			
STEP 3 – HIVAC ADAPTER CONTACT VARIANTS Normal density with 37 variant 9-2X9-15-25-37 Normal density with 50 variant 9-2X9-15-25-50 High density with 44 variant 15-26-44 High density with 62 variant 62 High density with 104 variant 78-104			STEP 4 – ADAPTER GENDER M : Male contact S : Female Posiband MM-SS: Use only with 37.2X9 and 50.2X9 Hivac Adapter MS : Use only with 37.2X9 Hivac Adapter For normal density : 2 Male Hivac Adapters or 1 Male Hivac Adapter with 1 Female Hivac Adapter For high density : 1 Male Hivac Adapter with 1 Female Hivac Adapter			

HERMETIC FEEDTHROUGH FOR SPACE OR INDUSTRIAL VACUUM APPLICATIONS



Positronic Industries
www.connectpositronic.com

RECAPITULATIVE PART-NUMBERS

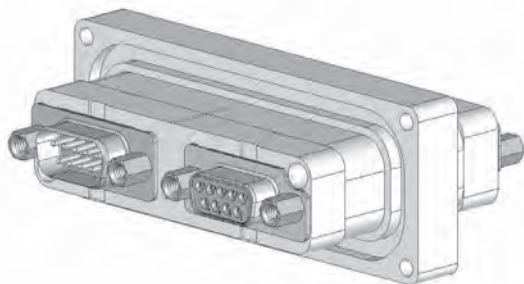
With All Adapter Variants

HIVAC Adapter	HIVAC Feedthrough	HIVAC Adapter	HIVAC Adapter	HIVAC Feedthrough	HIVAC Adapter
HIVAC37.9M*	HIVAC37.0	HIVAC37.9S*	HIVAC50.0	HIVAC50.9M*	HIVAC50.9S*
HIVAC37.9M*		HIVAC37.9M*		HIVAC50.9M*	HIVAC50.9M*
HIVAC37.9S*		HIVAC37.9S*		HIVAC50.9S*	HIVAC50.9S*
HIVAC37.2X9MS*		HIVAC37.2X9SM*	HIVAC50.2X9MM*		HIVAC50.2X9SS*
HIVAC37.2X9MS*		HIVAC37.2X9MS*	HIVAC50.15M*		HIVAC50.15S*
HIVAC37.2X9MM*		HIVAC37.2X9SS*	HIVAC50.15M*		HIVAC50.15S*
HIVAC37.2X9MM*		HIVAC37.2X9MM*	HIVAC50.15S*		HIVAC50.25S*
HIVAC37.2X9MM*		HIVAC37.2X9MM*	HIVAC50.25M*		HIVAC50.25M*
HIVAC37.2X9MM*		HIVAC37.2X9MS*	HIVAC50.25M*		HIVAC50.25S*
HIVAC37.2X9SS*		HIVAC37.2X9SM*	HIVAC50.25S*		HIVAC50.50S*
HIVAC37.2X9SS*		HIVAC37.2X9SS*	HIVAC50.50M*		HIVAC50.50M*
HIVAC37.2X9SS*		HIVAC37.2X9MS*	HIVAC50.50M*		HIVAC50.50S*
HIVAC37.2X9SS*		HIVAC37.2X9SM*	HIVAC50.50S*		
HIVAC37.15M*		HIVAC37.15S*	HIVAC44.1		HIVAC44.15S*
HIVAC37.15M*		HIVAC37.15M*	HIVAC44.15M*		HIVAC44.26S*
HIVAC37.15S*		HIVAC37.15S*	HIVAC44.26M*		HIVAC44.44M*
			HIVAC44.44M*		
HIVAC37.25M*		HIVAC37.25S*	HIVAC62.1		HIVAC62.62S*
HIVAC37.25M*		HIVAC37.25M*	HIVAC62.62M*		
HIVAC37.25S*		HIVAC37.25S*			
HIVAC37.37M*		HIVAC37.37S*	HIVAC104.1		HIVAC104.78S*
HIVAC37.37M*		HIVAC37.37M*	HIVAC104.78M*		HIVAC104.15S*
HIVAC37.37S*		HIVAC37.37S*	HIVAC104.15M*		HIVAC104.104S*
			HIVAC104.104M*		

* Type of application: G, D or S (See Code Numbering System).

** For high density: 1 Male HIVAC adapter with 1 Female HIVAC adapter.

Example: HIVAC37.2x9MS



Example: HIVAC50.2x9MMS

