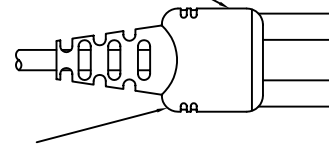
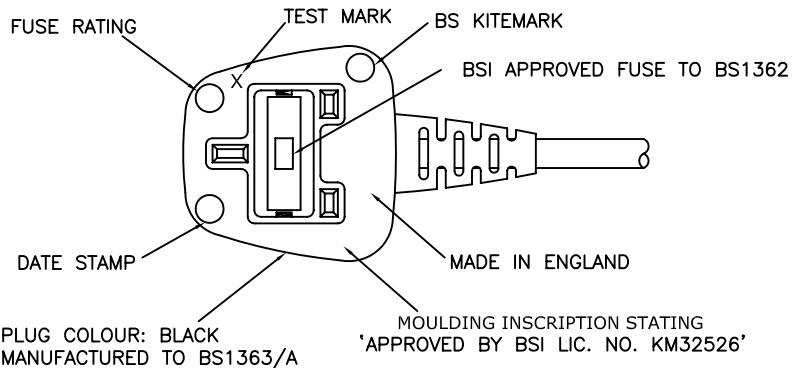
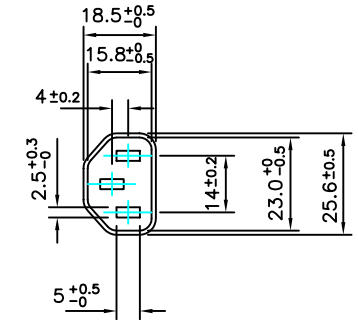
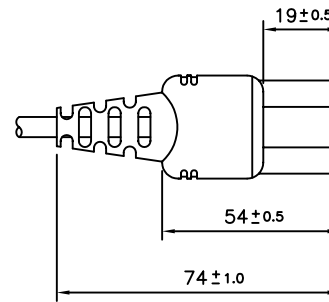
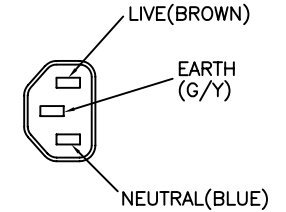


IEC CONNECTOR COLOUR: BLACK



MOULDING INSCRIPTION STATING (UNDERNEATH)
 "CXC BS4491-10A/250V-BS KITEMARK"



10A CONNECTOR APPROVALS

| | | | |
|-----|---------|-------|-------------|
| VDE | Germany | KEMA | Netherlands |
| N | Norway | CEBEC | Belgium |
| S | Sweden | BSI | UK |
| D | Denmark | | |
| FI | Finland | | |

DO NOT SCALE
 DIMENSIONS FOR REFERENCE ONLY

UK FULLY MOULDED PLUG (3A FUSED)
 H05VV-F 3 CORE x 0.75mm²
 TO STRAIGHT IEC 320 COLD CONNECTOR
 1950mm
 BLACK