



Cable Connector Housings

for D-Subminiature connectors, Series TMC



Table Of Contents

Housing versions KSG 200, KSG 185 and KSG 183, General and Main Features	2
Cable Connector Housing Series KSG 200	3
Individual parts of cable connectors housing Series KSG 200	5
Kits of cable connector housing Series KSG 200	6
Structure of KSG 200 with construction details for shielding and ESD protection	7
Shield attenuation diagram, measured using wire injection method	7
Cable Connector Housing Series KSG 185	8
Dimensions of cable connector housing Series KSG 185	8
Table of dimensions cable connector housing Series KSG 185	9
Individual parts cable connector housing Series KSG 185	10
Kits of cable connector housing Series KSG 185	11
Kits of locking bolts and #4/40 for cable connector housing Series KSG 185	11
Parts for coding cable connector housing Series KSG 185	11
Separate accessories for Cable connector housing Series KSG 185	12
Cable Connector Housing Series 183	13
Dimensions of cable connector housing Series KSG 183	13
Table of dimensions cable connector housing Series KSG 183P	14
Individual parts cable connector housing Series KSG 183P	15
Kits of cable connector housing Series KSG 183	15
Separate accessories for cable connector housing Series KSG 183	16

Cable Connector Housings

For D-Subminiature Connectors Series TMC

Housing versions KSG 200, KSG 185 and KSG 183



General

ERNI offers three different versions of connector housing for Series TMC connectors acc. To DIN 41 652 and MIL C-24308.

- **KSG 200 Fully insulated housing with integrated shielding plates**
- **KSG 185 Housing with snap-in latches and/or screw locking, integrated coding**
- **KSG 183 Housing with snap-in latches**

All three versions of housing are of two-shell design which allows the wiring of the female or male connectors prior to housing assembly. All three housing versions can easily be disassembled.

With the KSG 185 (cable connector housing Series KSG 185) it is possible to lock the two shell halves with snap-in latches. There is also a screw for vibration-proof applications. The connector shell halves of Series KSG 183 are screwed together after wiring.

For applications with screw locking the KSG 185 offers locking parts for thread types M3 and #4/40 NC-2 A.

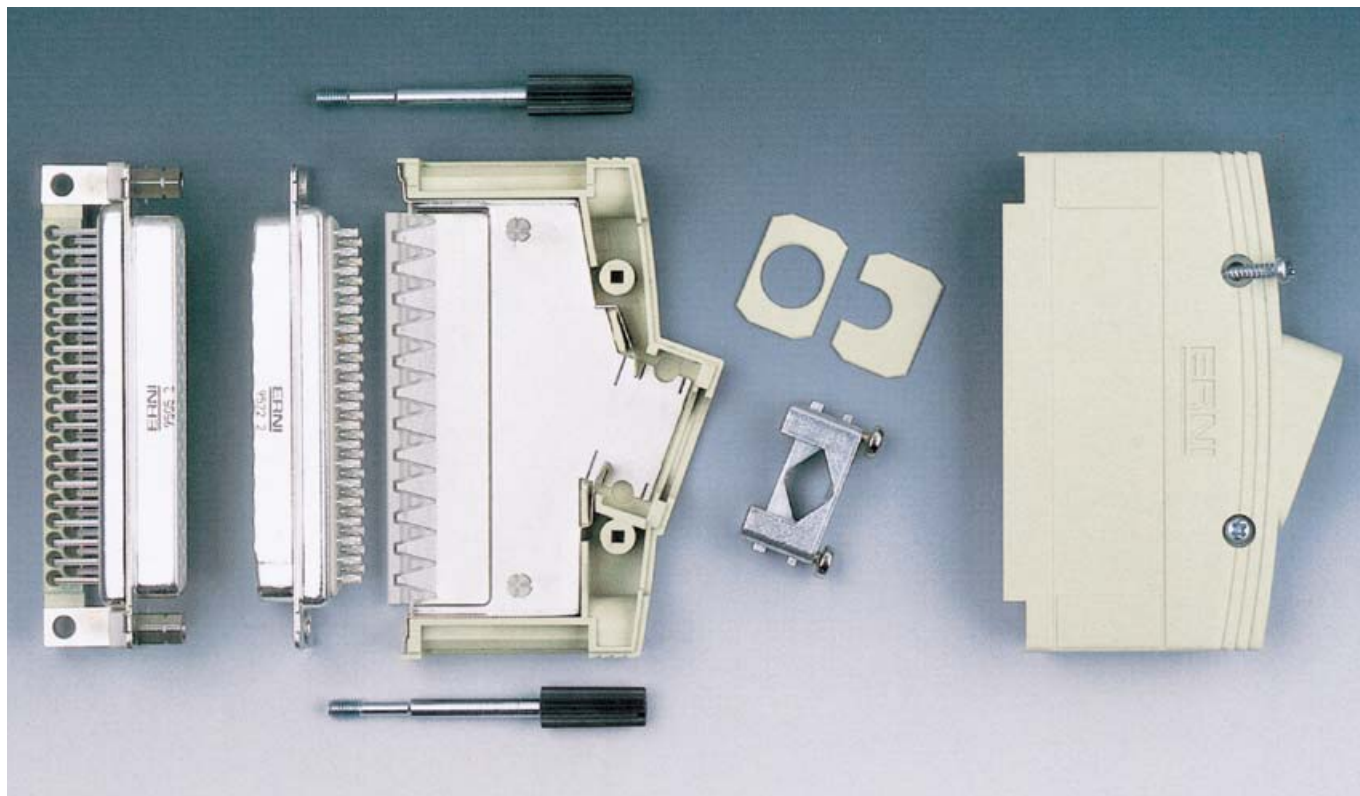
Main features

- Fully insulated housing
- Two-shell design to facilitate assembly
- Various types of locking such as snap-in, slide and screw locking
- Reliable strain relief with strain relief clamp
- Cable entry:
 - KSG 200 one 15° entry
 - KSG 185 sizes 9 and 15, one 75° entry sizes 25, 37 and 50 two 75° entries
 - KSG 183 size 9, one 90° entry-sizes 15, 25, 37 and 50, three 30° and 90° entries
- Cable sleeves and blind plugs included
- All parts needed to mount the housing are supplied
- KSG 200 with optimal ESD-protection and high EMI/RFI shielding
- KSG 200 with integrated shielding plates
- KSG 185 with integrated coding
- KSG 185 available in metallized version as well

Cable Connector Housing Series KSG 200

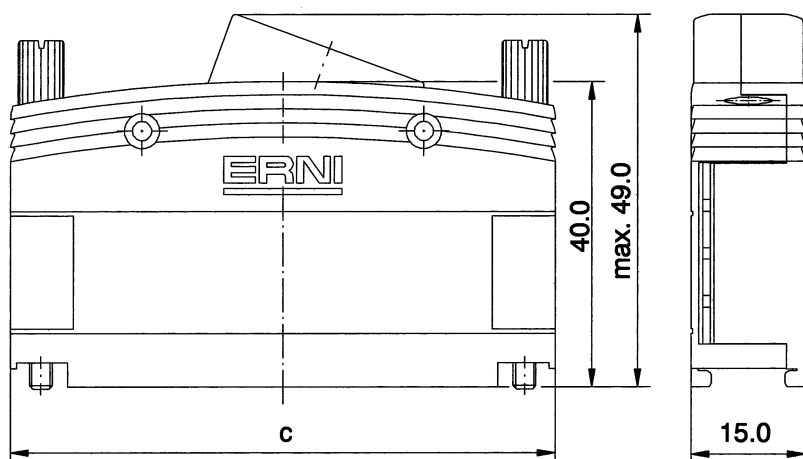
Fully insulated housing with integrated shielding plates

The illustration below shows a 37 pin housing



Dimensions of cable connector housing Series KSG 200

The illustration below shows a 37 pin housing



Number of Pins	c	Cable diameter
9	33.0	4-8.5
15	41.3	4-11
25	55.0	4-11
37	71.5	4-11
50	-	-

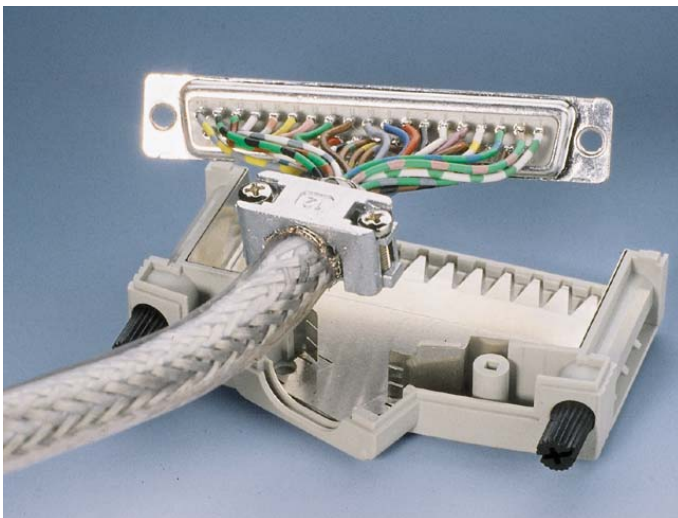
Series KSG 200



Design of strain relief elements

The strain relief elements consist of two die-cast zinc components.

Contact with the braided shield is accomplished by the clamps, as the screws are tightened.



Design of interface between shielding and D-Sub

The lamellar indents of the shielding plates will guide the ground connections from the cable shield via the strain relief clamp to the D-Sub connector. These lamellar indents make contact along the entire length of the connector.



Easy assembly

The KSG 200 consists of two half-shells which simply latch together. These latches can be opened again if the device needs to be serviced.

The two half-shells can also be screwed together.

