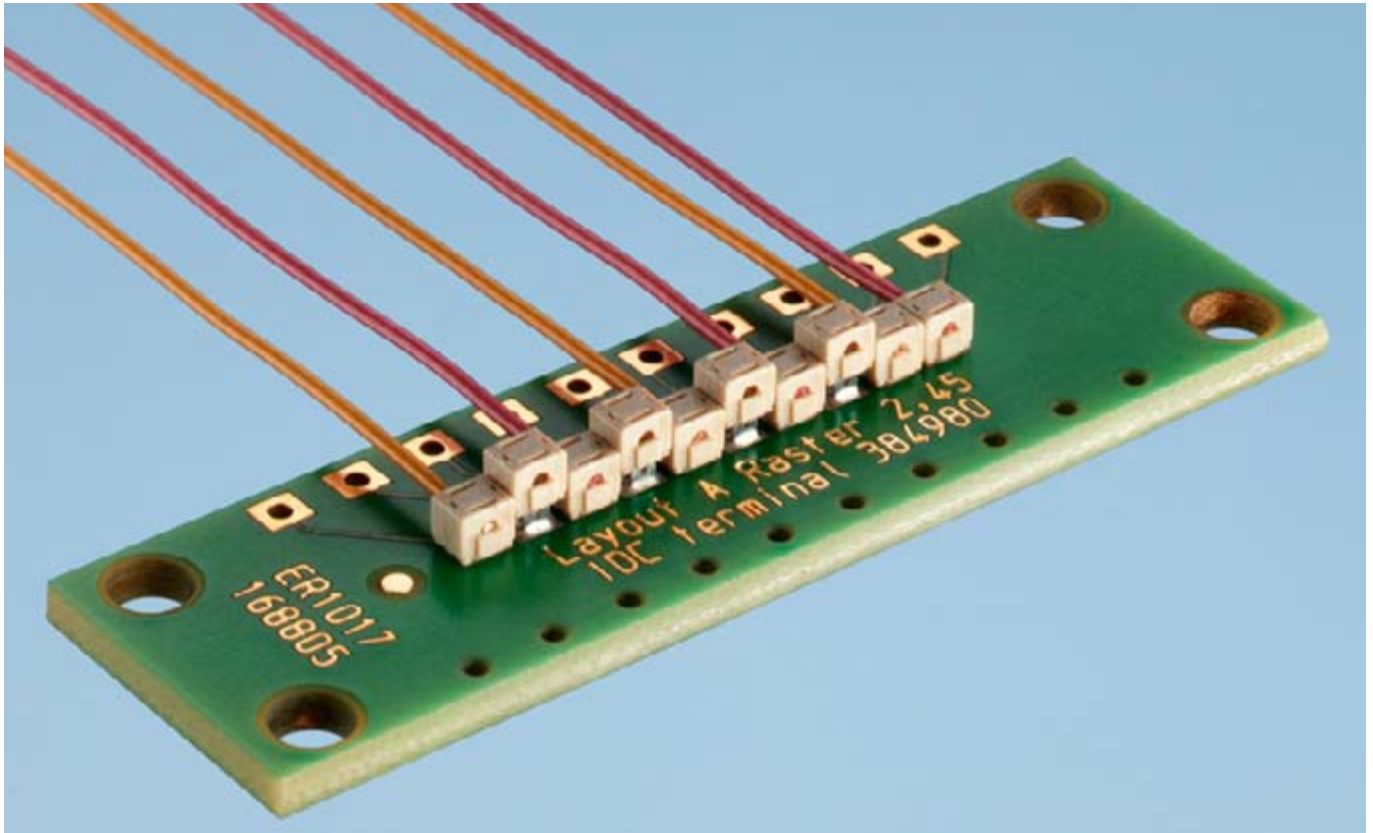


## IDC PCB-Terminal

One of the smallest terminals in the world



### Features

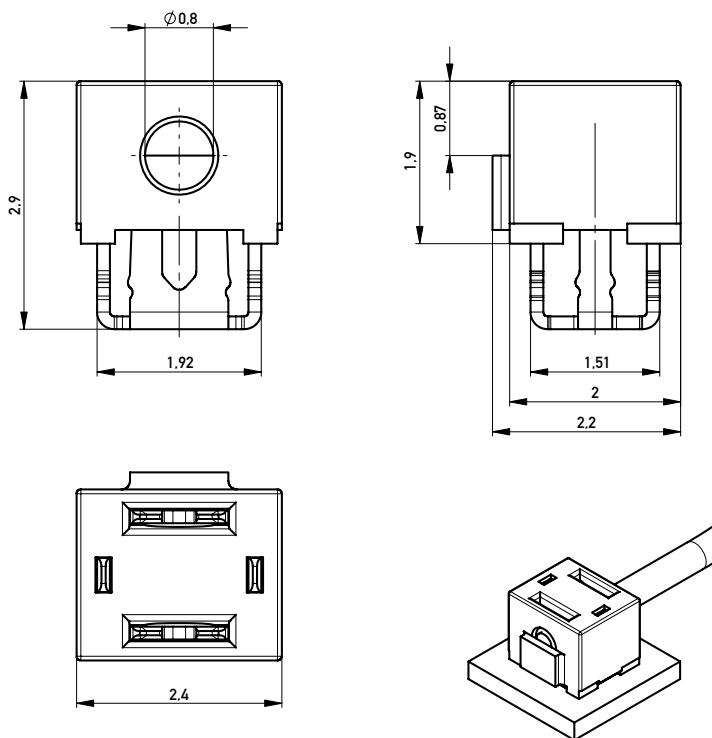
- IDC Technology, eliminates manual preparation of wires prior or termination
- Reliable contact due to gas tight connection and 2 IDC clamps
- Replacement of hand soldering
- Total height above pcb is less than most of other components
- Minimal pcb space required
- Terminal press down cap guides and keep the wire in place
- Versions with wire stop or daisy chain capability available
- Automated pick & place assembly
- Tape & Reel packaging

### Technical Data

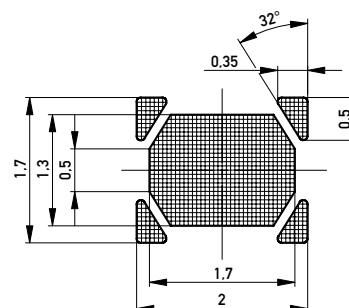
- Current rating: max. 5.5 A at 20 °C
- Housing material: LCP
- Contact material: Cu-alloy
- Contact plating: Sn
- Recommended cables: STW-F  
(Young Chang Silicone Co.,LTD)  
STW-B  
(Young Chang Silicone Co.,LTD)
- Cross section: AWG 24 (solid wire)
- Wire diameter: 0.5 mm
- Cable diameter: max. 0.725 mm

# IDC PCB-Terminal

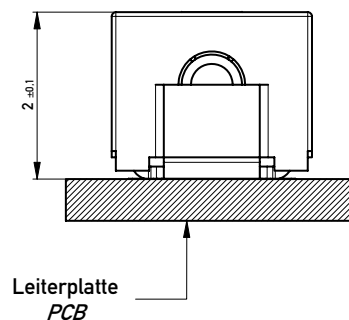
## Dimensional Drawing



### PCB Layout

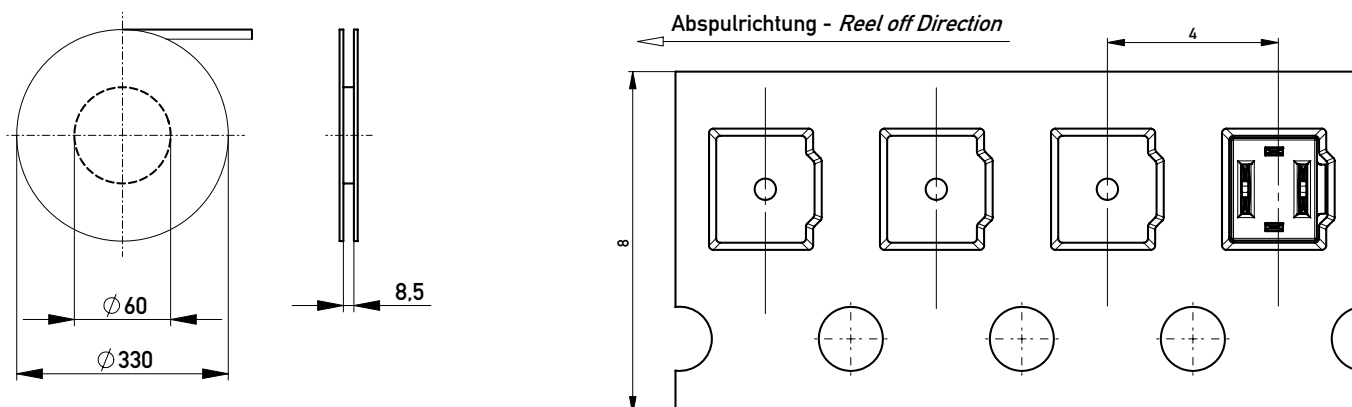


### PCB-Terminal pressed



### Packaging

Tape and reel packaging; Packaging unit: 5000 pcs



Printed in Germany · Subject to modification without prior notice.