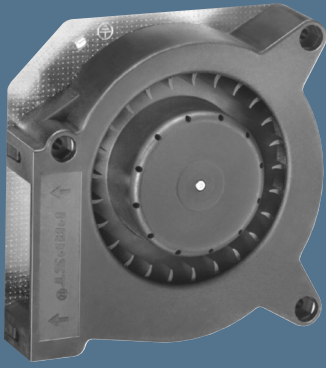


max. 55 m<sup>3</sup>/h

# DC centrifugal fans

Series RL 90 N 121 x 121 x 37 mm



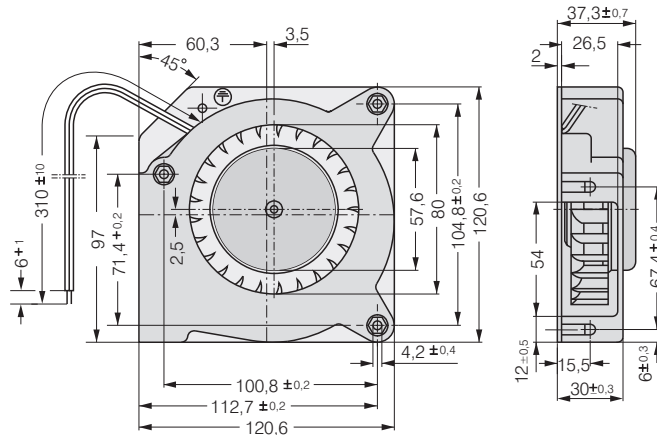
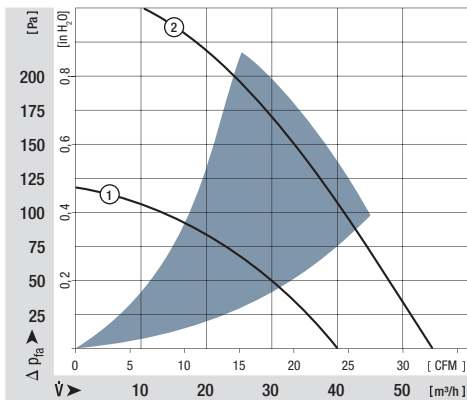
### Highlights:

- Optional Vario-Pro: Highly adaptable software configuration of the fan enables a tailor-made solution to the specific requirements of your applications.
- Forward curved impeller.

### General characteristics:

- Fibreglass-reinforced plastic scroll housing and impeller; Housing base of steel plate.
- Fully integrated electronic commutation.
- Protected against reverse polarity and locking.
- Direction of air flow: axial air intake, centrifugal air exhaust out of the outlet.
- Connection via single strands AWG 22, TR 64. Bared and tin-plated.
- Mass: 420 g.

Nominal data		Air flow	Air flow	Nominal voltage	Voltage range	Sound power level	Sintec sleeve bearings Ball bearings	Power input	Nominal speed	Temperature range	Service life L <sub>10</sub> (40 °C) ebm-papst Standard	Service life L <sub>10</sub> (T <sub>max</sub> ) ebm-papst Standard	Life expectancy L <sub>10</sub> <sup>Δ</sup> (40 °C) see P. 15	Curve	Specials
Type	m <sup>3</sup> /h	CFM	VDC	VDC	Bel(A)	■ / ■	Watts	RPM	°C	Hours	Hours	Hours	P. 110		
RL 90-18/12 N	40	23,5	12	7...15	5,8	■	5,5	2 500	-30...+75	62 500 / 27 500	112 500	112 500	1	/2	
RL 90-18/14 NG	40	23,5	24	12...28	5,8	□	5,0	2 500	-10...+75	62 500 / 27 500	112 500	112 500	1		
RL 90-18/14 N	40	23,5	24	12...28	5,8	■	5,0	2 500	-30...+75	62 500 / 27 500	112 500	112 500	1	/2	
RL 90-18/18 NH	55	32,4	48	40...53	6,9	■	15,0	3 500	-30...+55	32 500 / 22 500	62 500	62 500	2		



Screw clip M4 or 8-32UNC. Screw-in depth max. 12.5 min. 9.0