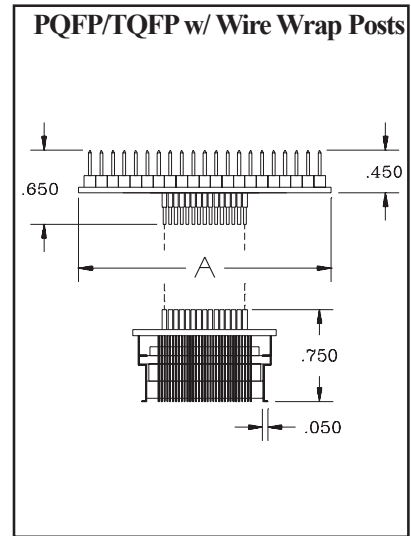
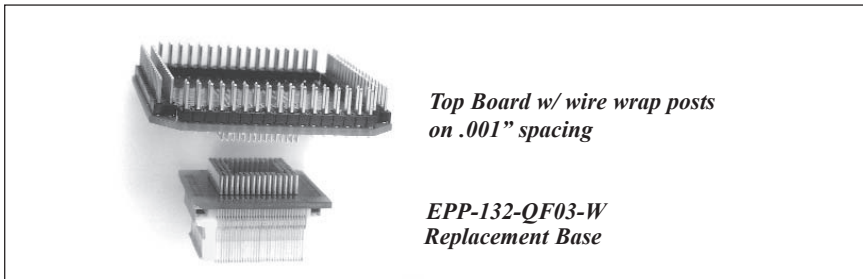


## PQFP/TQFP - SURFACE MOUNTABLE - EMULATOR PODS



**Ordering Information Example**

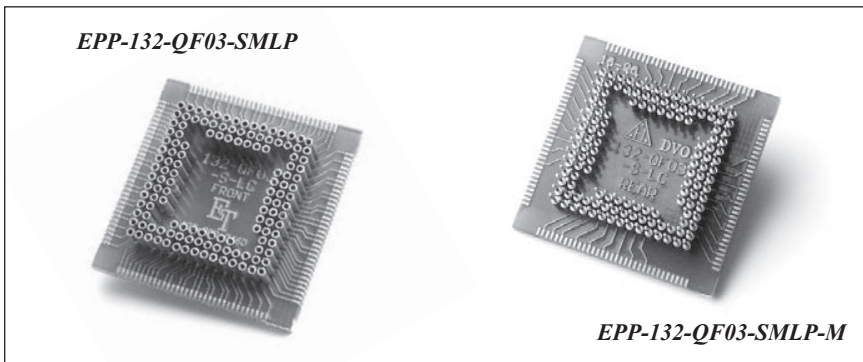
Pin Count \_\_\_\_\_  
 Product Code \_\_\_\_\_  
 Male Plug \_\_\_\_\_  
 P = Surface Mountable Plug

EP P-100-QF06-\*

Male Plug Footprint (see Footprint Section)

NW = No Wire Wrap Posts  
 W = Wire Wrap Posts  
 12/18 = Cable Length (inches)

PQFP/TQFP			PQFP/TQFP		
Description	Document #	Surface Mount Footprint Available on Top Board	Description	Document #	Surface Mount Footprint Available on Top Board
EPP-044-QF16D-W	F5564	NO	EPP-100-QF06-18	F1928	NO
EPP-044-QF16-W	F2022	NO	EPP-100-QF49-W	F1880	YES
EPP-044-QF16-18	F1306	NO	EPP-112-QF36-W	F4474	YES
EPP-052-QF37-W	F4170	NO	EPP-128-QF13-W	F3963	NO
EPP-064-QF09-W	F1920	NO	EPP-128-QF53-W	F5566	NO
EPP-064-QF64-W	F1735	NO	EPP-132-QF03-W	F1228	NO
EPP-064-QF29-18	F2558	YES	EPP-144-QF10-W	F1429	NO
EPP-064-QF29-W	F4108	YES	EPP-144-QF63-W	F1736	NO
EPP-080-QF08-NW	F2563	NO	EPP-160-QF07-NW	F2566	NO
EPP-080-QF08-W	F1198	NO	EPP-160-QF07-18	F4579	NO
EPP-080-QF08-18	F2562	NO	EPP-160-QF07-W	F1575	YES
EPP-080-QF47-W	F1932	YES	EPP-208-QF21-W	F1995	YES
EPP-100-QF01-W	F1275	NO	EPP-240-QF62-W	F2035	YES
EPP-100-QF06-W	F1285	NO	EPP-240-QF62-18	F4581	YES
EPP-100-QF06B-W	F4577	NO			
EPP-100-QF06-NW	F3978	YES			



**Ordering Information Example**

Product Code \_\_\_\_\_ EP P-132-QF03-SMLP-M |M = Male pins on top

Male Plug \_\_\_\_\_ Male Plug Footprint (see Footprint Section)

P = Surface Mountable Plug \_\_\_\_\_ Pin Count

SMLP=Small Base LowProfile

PQFP			
Female Pins on Top	Document #	Male Pins on Top	Document #
EPP-064-QF29B-SMLP	F5408	EPP-132-QF03-SMLP-M	F4100
EPP-080-QF14-SMLP	F4049	EPP-160-QF07-SMLP-M	F4101
EPP-100-QF06-SMLP	F4047		
EPP-128-QF13-SMLP	F4099		
EPP-132-QF03-SMLP	F3959		
EPP-160-QF07-SMLP	F4045		
EPP-208-QF21-SMLP	F4042		
EPP-240-QF62-SMLP	F4041		
EPP-352-QF71-SMLP	F5421		

**HOW TO ORDER**

- 1) Locate the part number with the correct number of pins for the emulator pod.
- 2) Select wire-wrap posts and cable length.
- 3) Verify top and bottom footprints (see Footprint Section).

**LOW PROFILE, HAND SOLDERABLE, REFLOW PROCESS PQFP**

- Low profile, vertical clearance 0.2", not reusable
- PCB material is FR4
- Manufacturing tolerances +/- 0.002
- Requires high precision soldering techniques (precision solder mask)
- Hand solderable

**HOW TO ORDER**

- 1) Determine the footprint of your device (see Footprint Section), such as QF14, and find the EPP part with the same footprint.

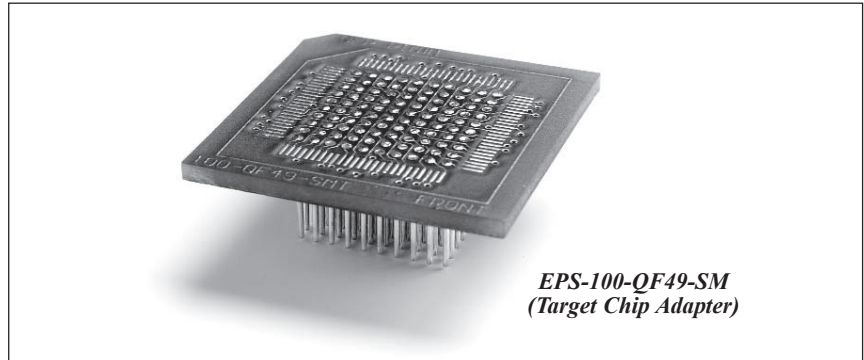
For a complete listing of emulator adapters pricing and delivery information, see:  
 Web Link: [www.1800adapter.com/023](http://www.1800adapter.com/023)

# EMULATOR PODS - SURFACE MOUNTABLE - PQFP/TQFP

## EMULATION INTERCONNECT SYSTEM

Emulation Technology, Inc. now offers a time-saving Interconnect System for your fine pitch PQFP/TQFP packages. This interconnect system is specifically designed for use in the emulation/debug/development environment.

Just surface mount the PQFP/TQFP base adapter to your target board. Once the base is in place, you are free to plug in your emulator pod adapter or target chip adapter.



① Target Chip Adapter		② QFP Base Adapter		③ Emulator Pod Adapter
Description	Document #	Description	Document #	
EPS-080-QF14-SM	F5517	EPP-080-QF14A-SM	F1199	AX5-080-QF47/14-18
EPS-080-QF47-SM	F4584	EPP-080-QF47-SM	F2007	
EPS-100-QF01-SM	F4585	EPP-100-QF01-SM	F1713	AX5-100-QF06-18
EPS-100-QF06-SM	F4183	EPP-100-QF06-SM	F4337	
EPS-100-QF49-SM	F3901	EPP-100-QF49-SM	F1634	AX5-100-QF49-18
EPS-132-QF03-SM	F4307	EPP-132-QF03-SM	F1640	
EPS-144-QF10-SM	F4276	EPP-144-QF10-SM	F1360	
EPS-144-QF63-SM	F5005	EPP-144-QF63-SM	F1631	
EPS-176-QF67-SM	F5568	EPP-176-QF67-SM	F1109	

