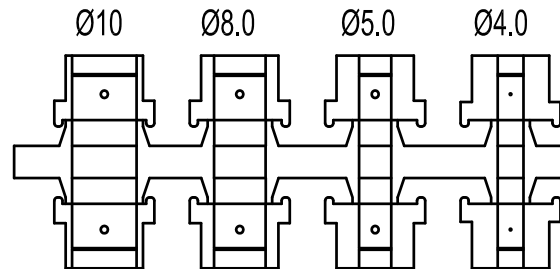
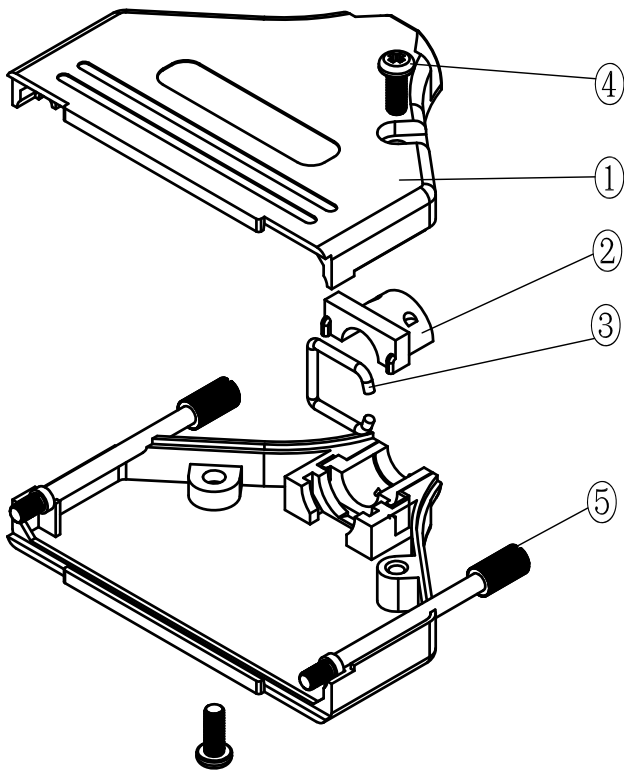
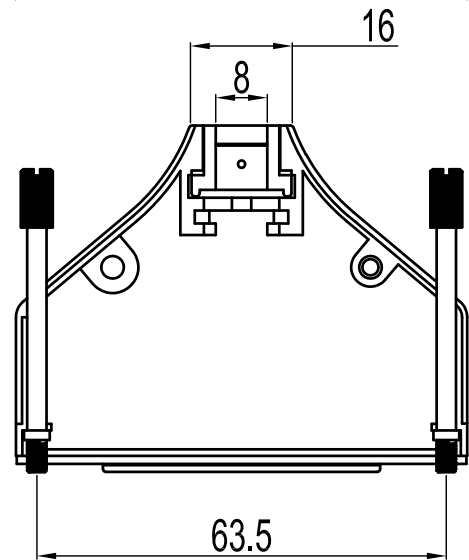
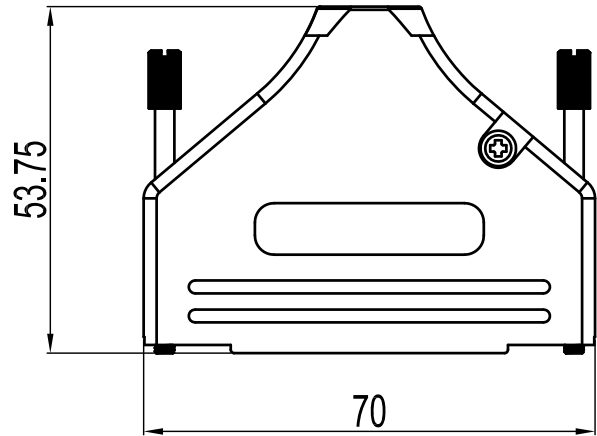
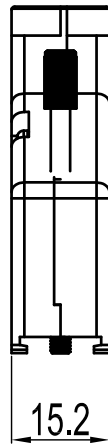


No.	Changes and/or Note No.	Date	Intr	No	Changes and/or Note No.	Date	Intr



Part Number:	Description:	Pack:	1	2	DTZK-37	Cover
6560-0805-04	MHDTZK-37-K	Kit	2	1	DTZK-D1	Grommet
6561-0805-04	MHDTZK-37	Bulk	3	1	C-CLIP	C-Clip
			4	2	M3X10	Screw
			5	2	UNC 4-40X47.2	Jack screw
			Item	QTY	Part Number	Description

DATE: 2008-09-11	DRAWN: YGY	SCALE:	MATERIAL TYPE:
---------------------	---------------	--------	----------------

	APPROVED: MRR		REPLACES:
--	------------------	--	-----------