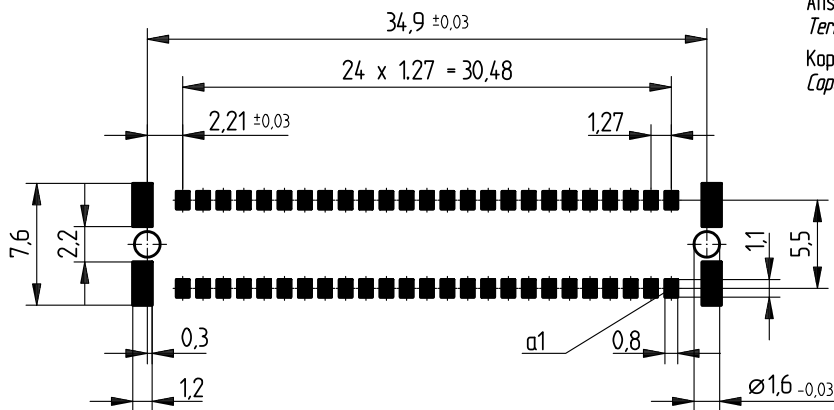
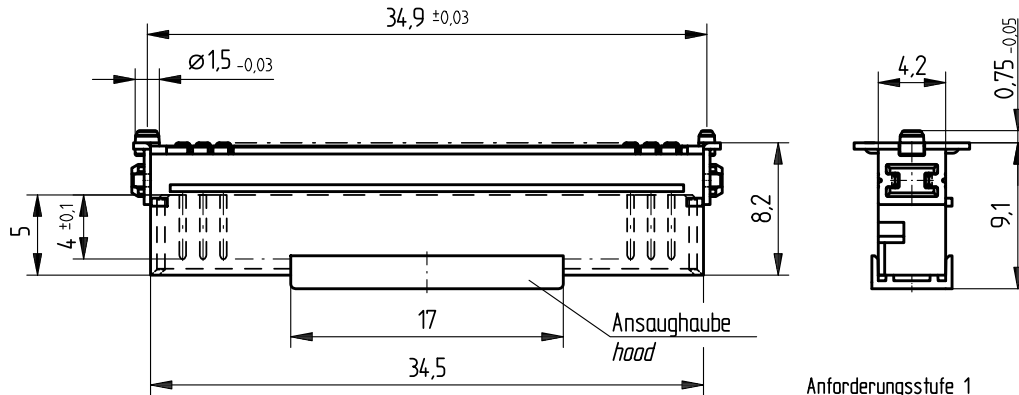
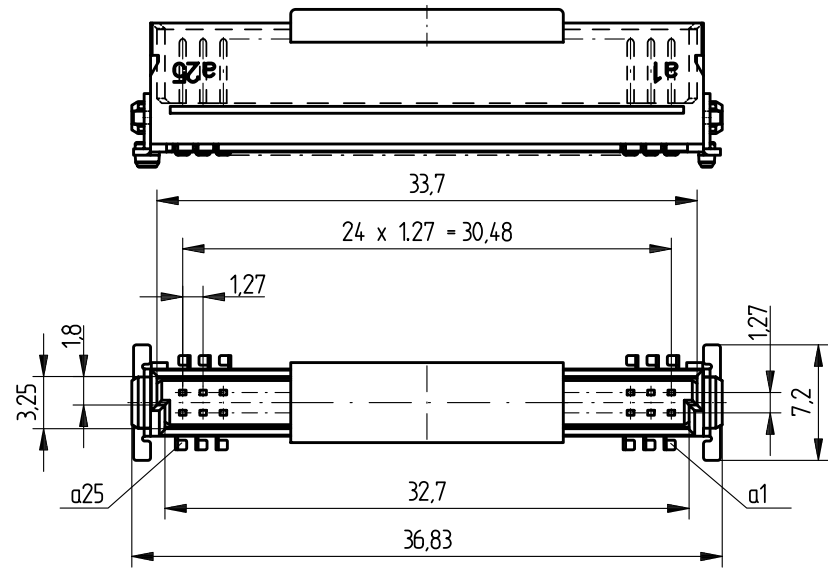
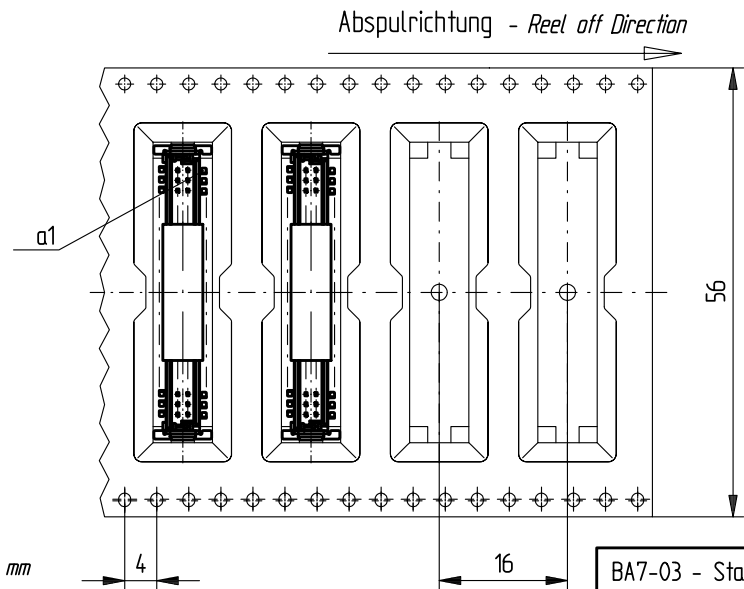
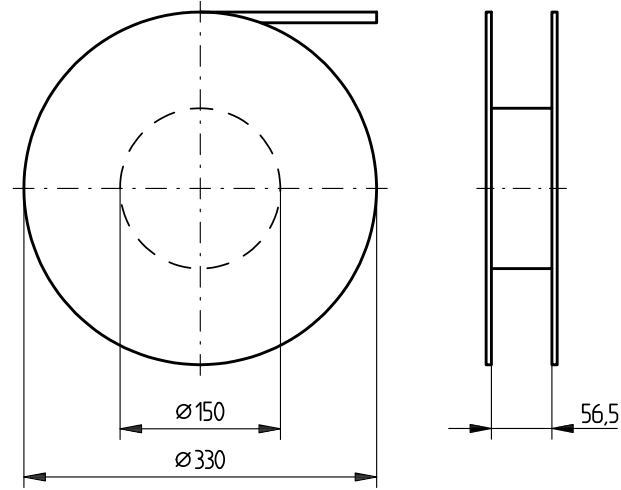


Verpackt in Gurtverpackung - *Tape on Reel Packaging*
 Verpackungseinheit: 280 Stück - *Packaging unit: 280 pcs*



Leiterplatten-Layout Vorschlag für SMT
PCB-Layout Proposal for SMT

Anforderungsstufe 1
Performance Level 1
 Kontaktbereich vergoldet
Mating Area gold plating
 Anschlussbereich verzinkt 4-6 µm
Terminal Area 4-6 µm tin plating
 Koplanarität der Anschlüsse ≤ 0.1mm
Coplanarity Area of Termination ≤ 0.1 mm



BA7-03 - Standard Bauhöhe
 type7-03 - Standard Assembly Height

Information:	Tolerances	 All Dimensions in mm	Scale	3:1
	Angaben zu entsprechender Ident-Nr. siehe Fertigungsunterlagen <i>For further information about I.D. number see manufacturing document.</i>			
All rights reserved. Only for information. To insure that this is the latest version of this drawing, please contact one of the ERNI companies before using.	Subject to modification without prior notice. Drawing will not be updated.		Designation	
	www.ERNI.com		Messerl. SMC-Q 50-SMD-BA7-03 Male SMC-Q 50-SMD-type7-03	
d	13.02.2008	H:00064905.SZA	154786	
Index	Date		SMCQ	

Consider protection memo from DIN 34.