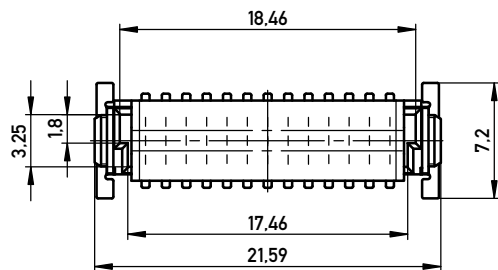
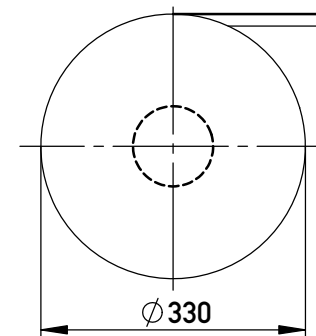
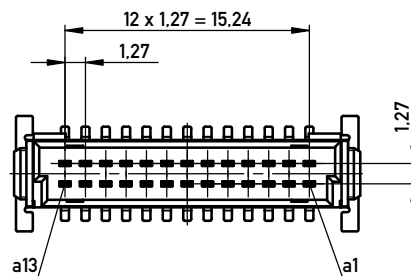


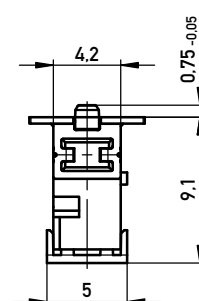
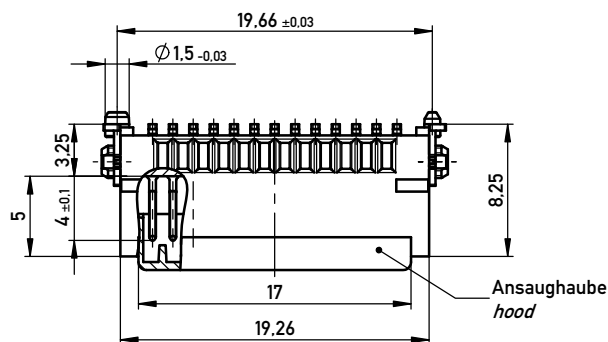
Verpackt in Gurtverpackung
Tape on Reel Packaging
 Verpackungseinheit: 280 Stück
Packaging unit: 280 pcs



ohne Ansaughaube - *without hood*



Abspulrichtung - *Reel off Direction*

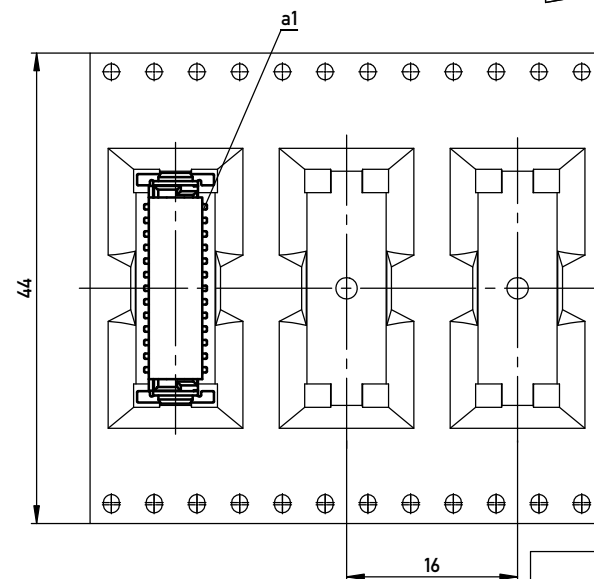


Anforderungsstufe 1
Performance Level 1

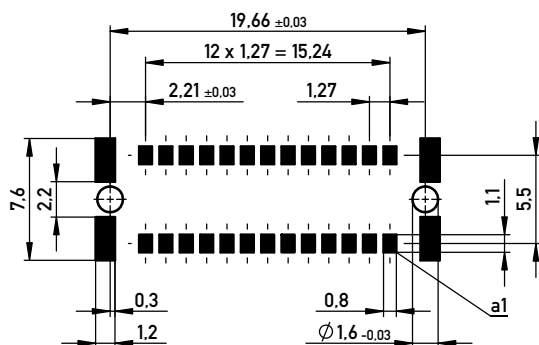
Kontaktbereich vergoldet
Mating Area gold plating

Anschlussbereich verzinkt 4-6 µm
Terminal Area 4-6 µm tin plating

Koplanarität der Anschlüsse ≤ 0.1 mm
Coplanarity Area of Termination ≤ 0.1 mm



Leiterplatten-Layout Vorschlag für SMT
PCB-Layout Proposal for SMT



BA 8-03 - Standard Bauhöhe

type 8-03 - Standard Assembly Height

| | | | | | |
|--|--|--|----------------------|--|-----|
| Information: | | Tolerances | All Dimensions in mm | Scale | 3:1 |
| All rights reserved. Only for Information. To ensure that this is the latest version of this drawing, please contact one of the ERNI companies before using. | | Subject to modification without prior notice. Drawing will not be updated. | | Designation | |
| www.ERNI.com | | www.ERNI.com | | Messerl. SMC-Q 26-SMD-BA8-03 Male SMC-Q 26-SMD-type8-03 | |
| d | | 08.07.2013 | | 244855 | |
| Index | | Date | | I | |
| Class | | | | SMCQ | |
| | | | | A3 | |

Copyright by ERNI GmbH
 Proprietary notice pursuant to ISO 9006 to be observed.