

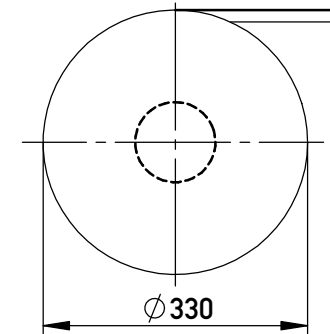
Anforderungsstufe 1  
Performance Level 1

Kontaktbereich vergoldet  
Mating Area gold plating

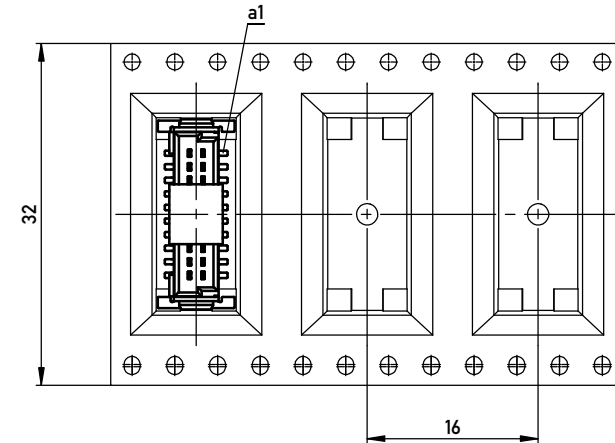
Anschlussbereich verzinkt 4-6 µm  
Terminal Area 4-6 µm tin plating

Koplanarität der Anschlüsse ≤ 0,1 mm  
Coplanarity Area of Termination ≤ 0.1 mm

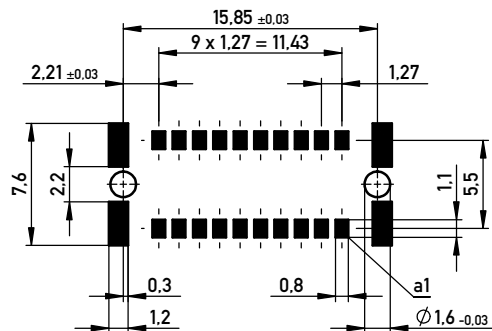
Verpackt in Gurtverpackung  
Tape on Reel Packaging  
Verpackungseinheit: 280 Stück  
Packaging unit: 280 pcs



Abspulrichtung - Reel off Direction



Leiterplatten-Layout Vorschlag für SMT  
PCB-Layout Proposal for SMT



BA 8-03 - Standard Bauhöhe

type 8-03 - Standard Assembly Height

Information:	Tolerances	 All Dimensions in mm	Scale	3:1
	All rights reserved. Only for Information. To ensure that this is the latest version of this drawing, please contact one of the ERNI companies before using.		Designation <b>Messertl. SMC-Q 20-SMD-BA8-03</b> <b>Male SMC-Q 20-SMD-type8-03</b>	
Subject to modification without prior notice. Drawing will not be updated.		 www.ERNI.com	<b>254537</b>	
d	08.07.2013		Class SMCQ	
Index	Date	I A3		

Copyright by ERNI GmbH  
Proprietary notice pursuant to ISO 16018 to be observed.