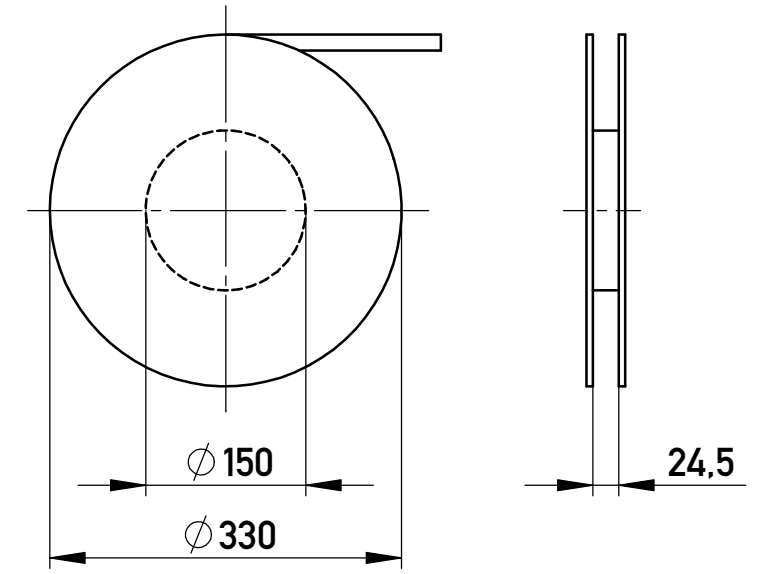
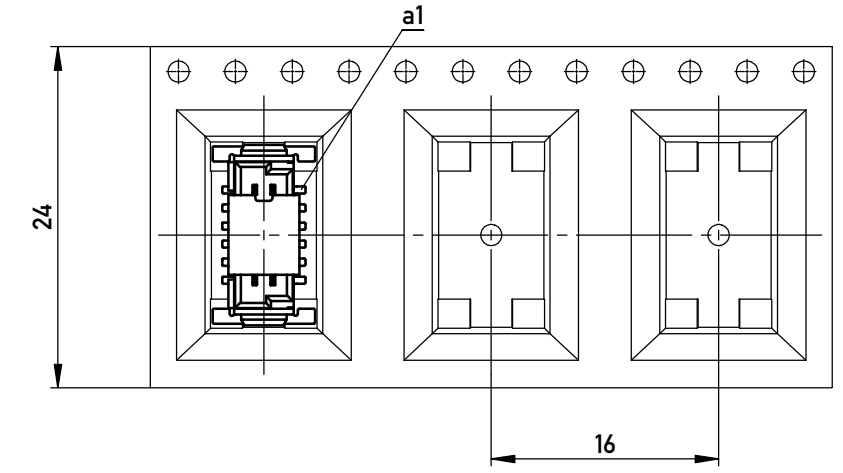


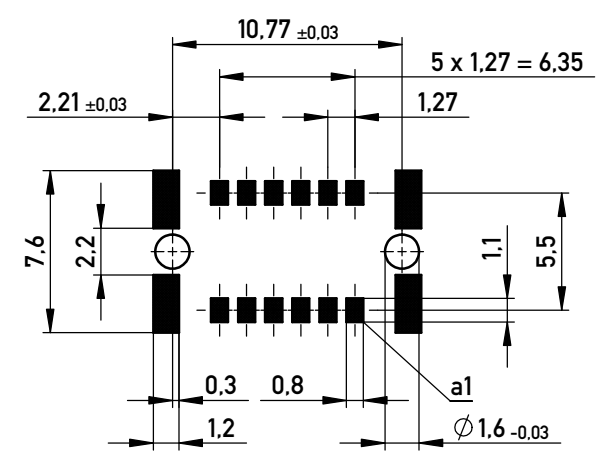
Verpackt in Gurtverpackung - *Tape on Reel Packaging*
 Verpackungseinheit: 280 Stück - *Packaging unit: 280 pcs*



Abspulrichtung - *Reel off Direction*



Leiterplatten-Layout Vorschlag für SMT
PCB-Layout Proposal for SMT



BA 8-03 - Standard Bauhöhe
type 8-03 - Standard Assembly Height

Information: All rights reserved. Only for Information. To ensure that this is the latest version of this drawing, please contact one of the ERNI companies before using.	Tolerances All Dimensions in mm	Scale 3:1		
		Designation Messerl. SMC-Q-12-SMD-BA8-03 <i>Male SMC-Q 12-SMD-type8-03</i>		
www.ERNI.com		244854		I A3
c Index	01.02.2012 Date	Class SMCQ		

Copyright by ERNI GmbH
 Proprietary notice pursuant to ISO 16016 to be observed.