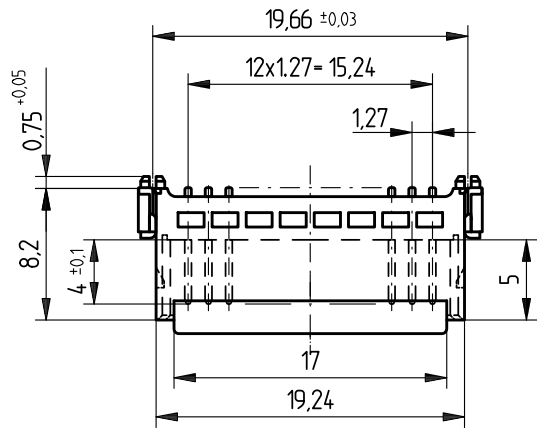
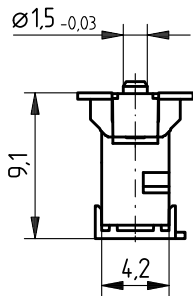
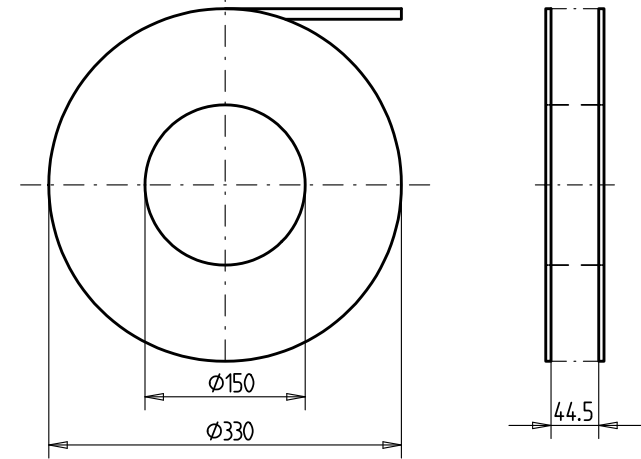


Verpackt in Gurtverpackung - Tape on Reel Packaging  
 Verpackungseinheit: 280 Stück - Packaging unit: 280 pcs



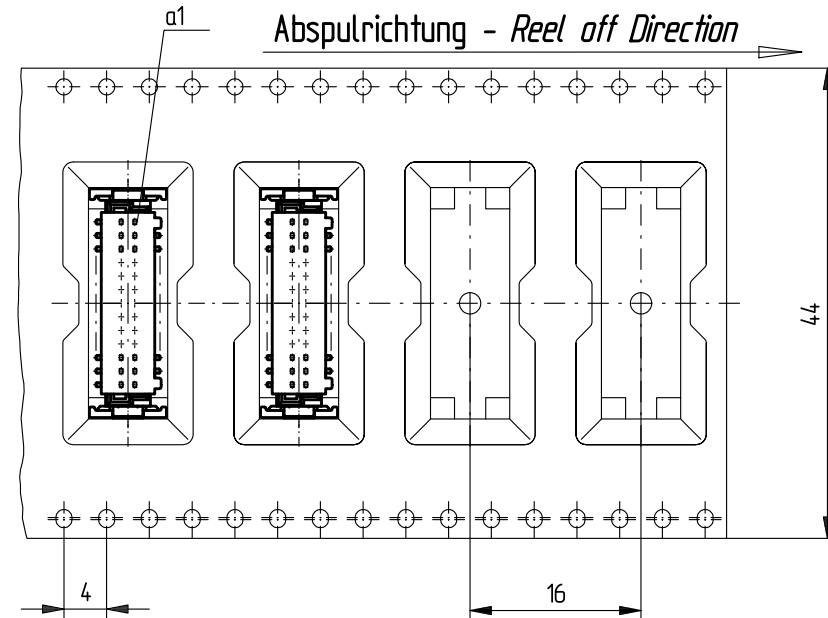
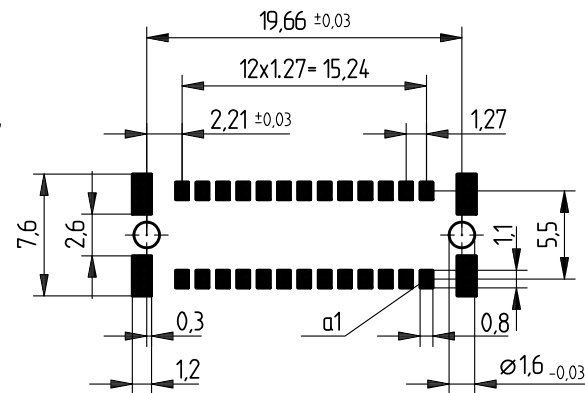
Leiterplatten-Layout Vorschlag für SMT  
 PCB-Layout Proposal for SMT

Anforderungsstufe 1  
 Performance Level 1

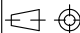
Kontaktbereich vergoldet  
 Mating Area gold plating

Anschlussbereich verzinkt 4-6 µm  
 Terminal Area 4-6 µm tin plating

Koplanarität der Anschlüsse ≤ 0,1mm  
 Coplanarity Area of Termination ≤ 0,1 mm



Standard Bauhöhe  
 Standard Assembly Height

Information:  All rights reserved. Only for information. To insure that this is the latest version of this drawing, please contact one of the ERNI companies before using.	Tolerances  All Dimensions in mm	Scale 3:1	Angaben zu entsprechender Ident-Nr. siehe Fertigungsunterlagen For further information about I.D.number see manufacturing document
	Subject to modification without prior notice. Drawing will not be updated.	Designation <b>Messerleiste SMC-Q, 26 polig</b> <b>Male Conn. SMC-Q, 26 contacts</b>	
ERNI www.ERNI.com	063209	1	
e Index	22.01.2008 Date	M:00064650.SZA	SMCQ

Consider protection memo from DIN 34