

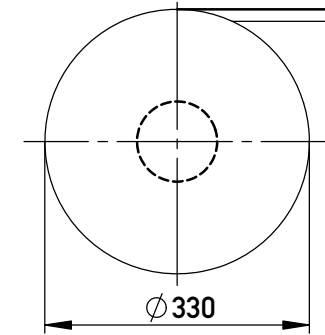
Verpackt in Gurtverpackung
 Tape on Reel Packaging
 Verpackungseinheit: 280 Stück
 Packaging unit: 280 pcs

Anforderungsstufe 1
 Performance Level 1

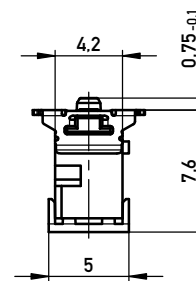
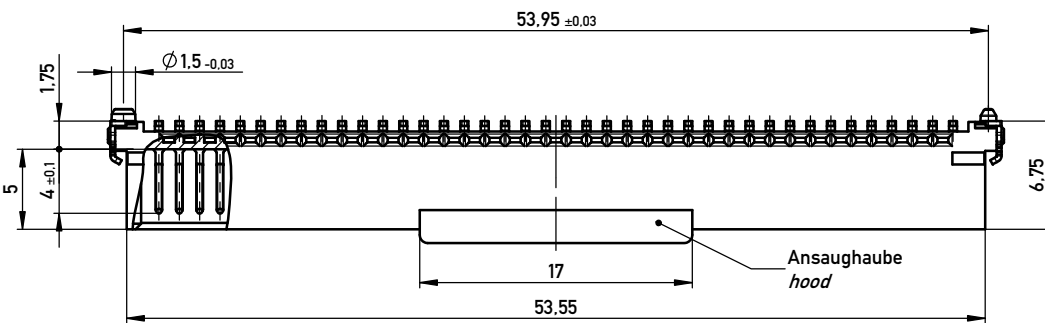
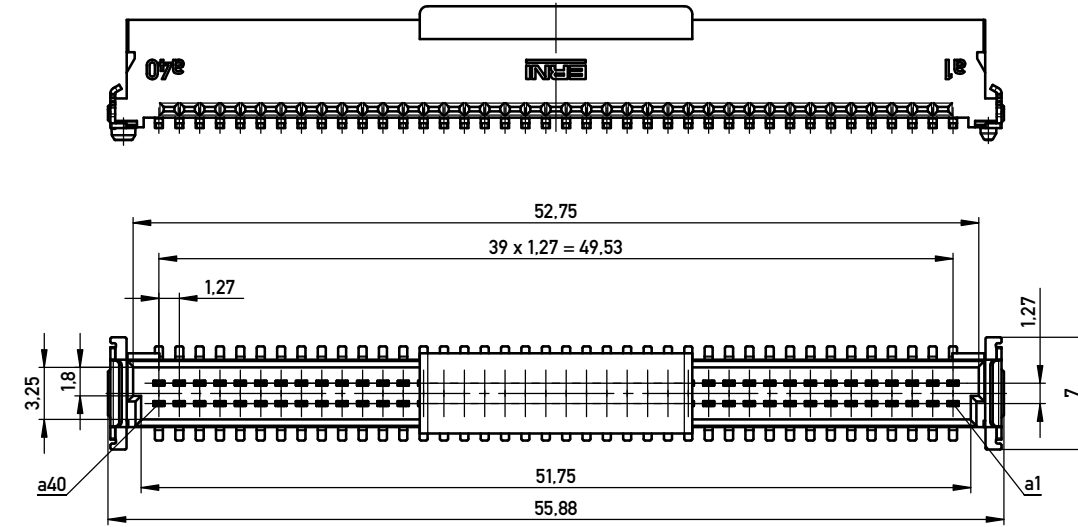
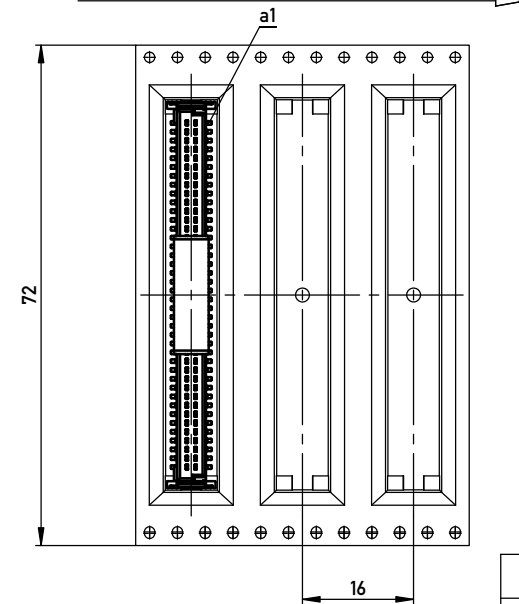
Kontaktbereich vergoldet
 Mating Area gold plating

Anschlussbereich verzinkt 4-6 µm
 Terminal Area 4-6 µm tin plating

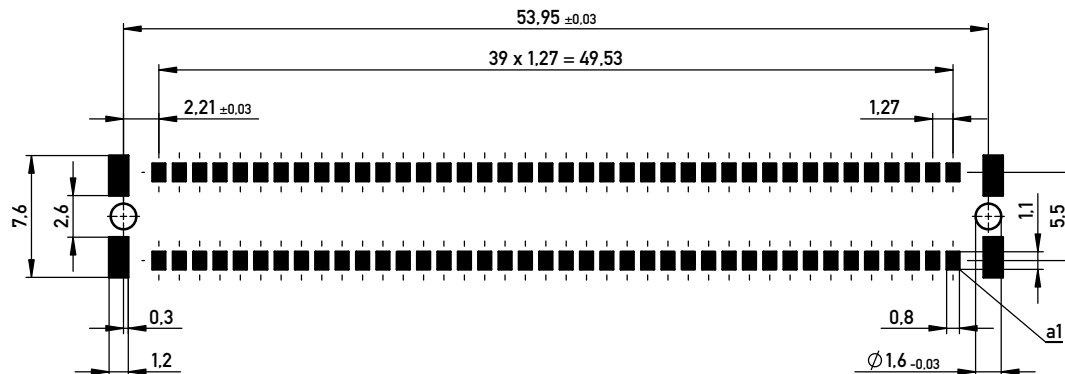
Koplanarität der Anschlüsse ≤ 0,1 mm
 Coplanarity Area of Termination ≤ 0,1 mm



Abspulrichtung - Reel off Direction



Leiterplatten-Lay-out Vorschlag für SMT
 PCB-Lay-out Proposal for SMT



BA 8-13 - 8mm Bauhöhe
 type 8-13 - Low Profile

Information:	Tolerances	 All Dimensions in mm	Scale	3:1
	All rights reserved. Only for Information. To ensure that this is the latest version of this drawing, please contact one of the ERNI companies before using.		Designation Messertl. SMC-Q 80-SMD-BA8-13 <i>Male SMC-Q 80-SMD-type8-13</i>	
Subject to modification without prior notice. Drawing will not be updated.		www.ERNI.com		244840
d	23.07.2013	Class		SMCQ
Index				I A3

Copyright by ERNI GmbH
 Proprietary notice pursuant to ISO 9006 to be observed.