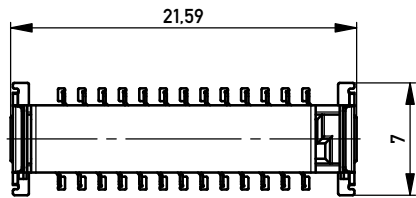
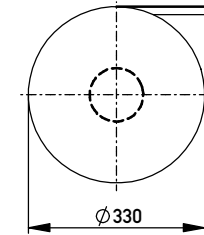
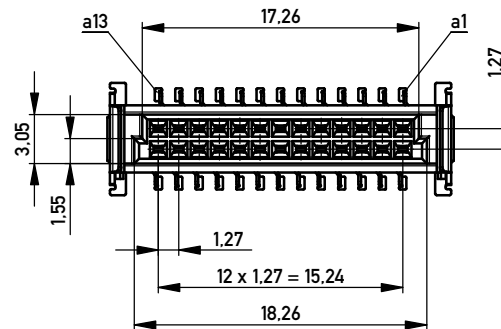


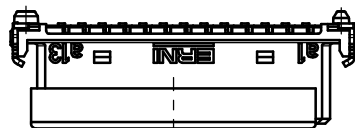
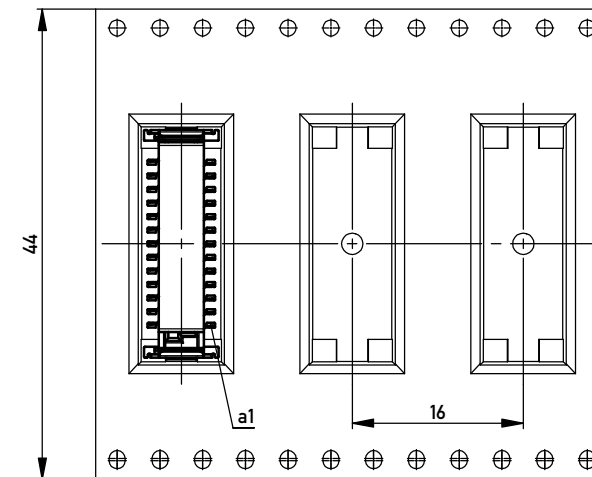
Verpackt im Gurt nach DIN IEC 60286-3
 Tape on Reel Packaging according to DIN IEC 60286-3
 Verpackungseinheit: 280 Stück
 Packaging unit: 280 pcs



ohne Ansaughaube - without hood



Abspulrichtung - Reel off Direction



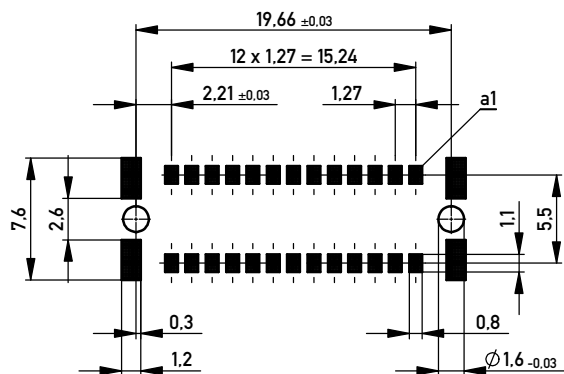
Anforderungsstufe 1
 Performance Level 1

Kontaktbereich vergoldet
 Mating Area gold plating

Anschlussbereich verzinkt 4-6 µm
 Terminal Area 4-6 µm tin plating

Koplanarität der Anschlüsse ≤ 0.1 mm
 Coplanarity Area of Termination ≤ 0.1 mm

Leiterplatten-Layout Vorschlag für SMT
 PCB-Layout Proposal for SMT



BA 7-13 - 8mm Bauhöhe

type7-13 - Low Profile

Information:		Tolerances	All Dimensions in mm	Scale 3:1
All rights reserved. Only for Information. To ensure that this is the latest version of this drawing, please contact one of the ERNI companies before using.		Subject to modification without prior notice. Drawing will not be updated.		Designation Federl. SMC-B 26-SMD-BA7-13 <i>Female SMC-B 26-SMD-type7-13</i>
ERNI www.ERNI.com		154806		I A3
f	13.01.2014	Class		SMCB
Index	Date			

Copyright by ERNI GmbH
 Proprietary notice pursuant to ISO 16018 to be observed.