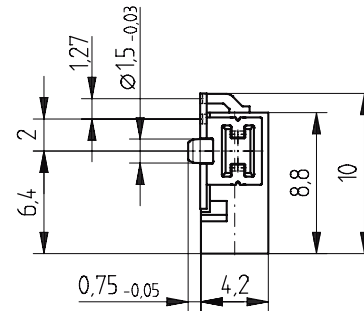
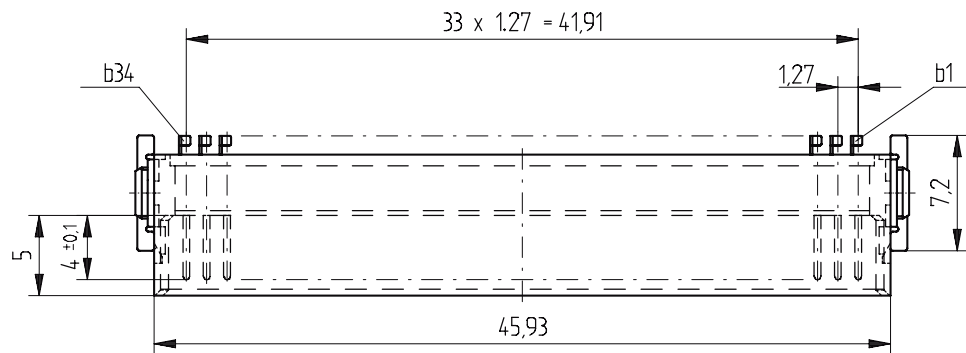
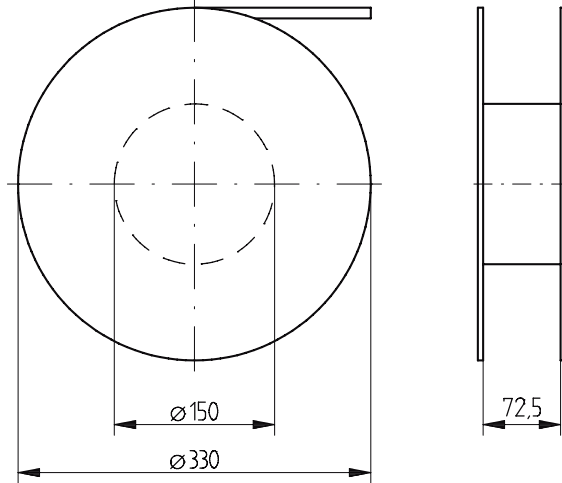
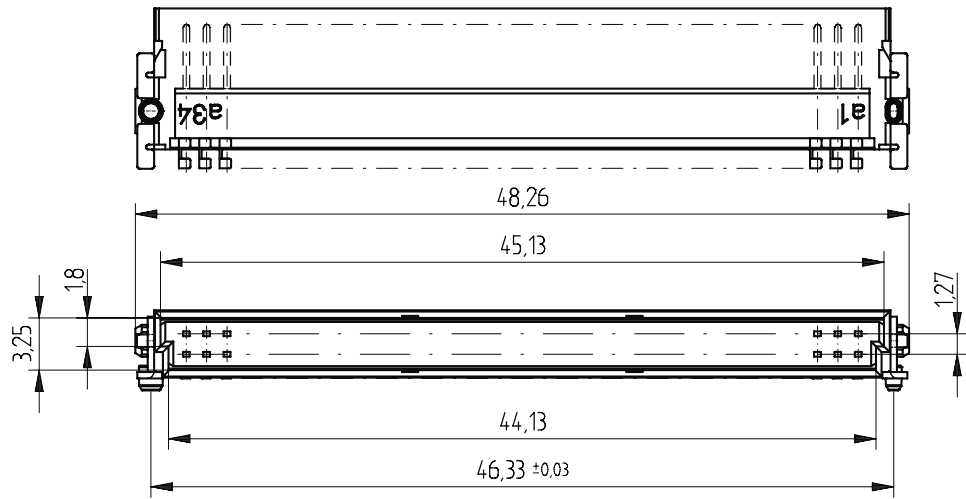
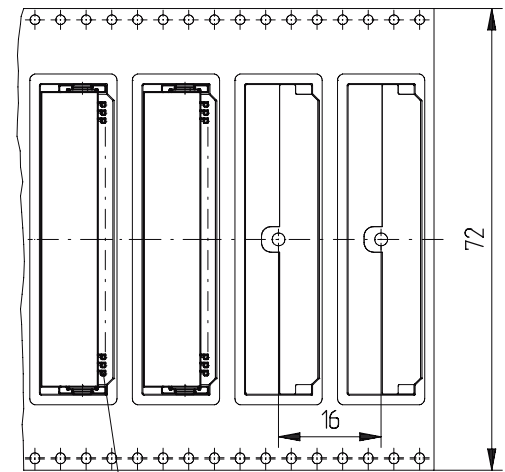


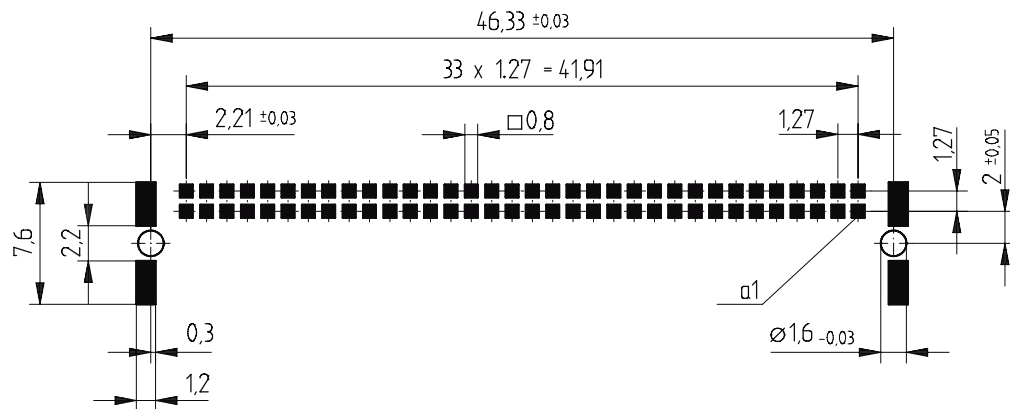
Verpackt in Gurtverpackung - *Tape on Reel Packaging*  
 Verpackungseinheit: 560 Stück - *Packaging unit: 560 pcs*



Abspulrichtung - *Reel off Direction*



Leiterplatten-Layout Vorschlag für SMT  
*PCB-Layout Proposal for SMT*



Anforderungsstufe 1  
*Performance Level 1*  
 Kontaktbereich vergoldet  
*Mating Area gold plating*  
 Anschlussbereich verzinkt 4-6 µm  
*Terminal Area 4-6 µm tin plating*  
 Kaplanarität der Anschlüsse ≤ 0,1mm  
*Coplanarity Area of Termination ≤ 0.1 mm*

BA7-03 - Standard Bauhöhe  
 type7-03 - Standard Assembly Height

Information:	Tolerances	 All Dimensions in mm	Scale	3:1
	XXXXX Angaben zu entsprechender Ident-Nr. siehe Fertigungsunterlagen For further information about I.D. number see manufacturing document.			
All rights reserved. Only for information. To insure that this is the latest version of this drawing, please contact one of the ERNI companies before using.	Subject to modification without prior notice. Drawing will not be updated.		Designation Messerl. SMC-B 68-SMD-BA7-03 Male SMC-B 68-SMD-type7-03	
	www.ERNI.com		154766	
b	30.11.2006			
Index	Date	V:00059971.SZA		SMCB

Consider protection memo from DIN 34