

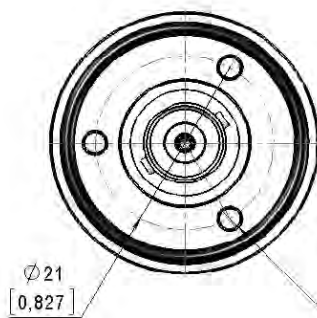
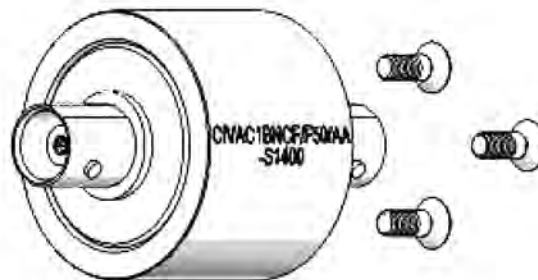
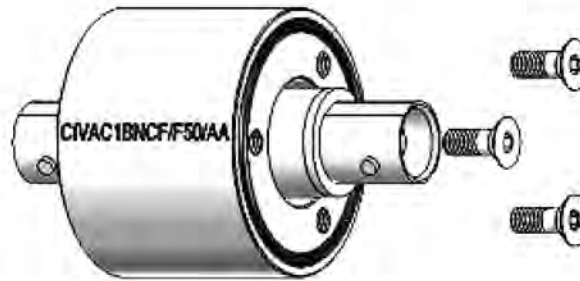
HERMETIC FEEDTHROUGH FOR SPACE OR INDUSTRIAL VACUUM APPLICATIONS



Positronic Industries
www.connectpositronic.com

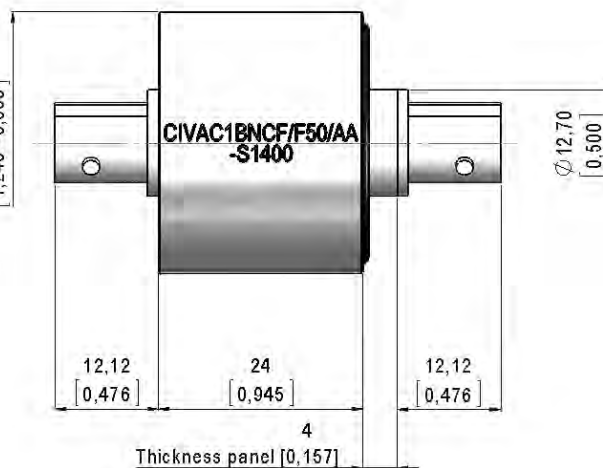


CIVAC® BNC



3x M3
Thread depth
5,00 [0,197] Max.
4,50 [0,177] Min.

+0,30
 $\varnothing 31,50 -0,20$
+0,012
1,240 -0,008





HERMETIC FEEDTHROUGH FOR SPACE OR INDUSTRIAL VACUUM APPLICATIONS

CIVAC® BNC

MATERIALS AND FINISHES

Dielectric Material:	PTFE and Epoxy Resin.
Outer Contacts:	Brass. Silver finish 0,000016 inch (0,40 microns) min.
Center Contacts:	Copper alloy with brass. Gold finish 0,000050 inch min. (1,25 microns), over copper.
Housing:	Aluminium alloy, golden brown conversion coating.
O-Ring:	Viton (fluorocarbon). Other material per request. One mounting and one for spare part.
Fixation Screws:	Stainless Steel (kitted).

MECHANICAL CHARACTERISTICS

Durability:	500 operations minimum.
Center Contact Retention:	27,2 N min. (in molding).
Force To Engage And Disengage:	13,6 N max.

CLIMATIC CHARACTERISTICS

Temperature Range:	-40°C to +125°C. The temperature range can be extended under certain conditions. Consult factory.
Helium Leak Rate At Ambient Temperature:	< 5x10 ⁻⁹ mbar.l/s under a vacuum of 1.5x10 ⁻² mbar.

ELECTRICAL CHARACTERISTICS AT SEA LEVEL

Frequency Range:	50 Ω : DC – 4 GHz 75 Ω : DC – 1 GHz
Working Voltage:	500 V RMS (Leakage current 2mA max).
Dielectric Withstanding Voltage:	1500 V RMS (Leakage current 2mA max).
Insulation Resistance:	5 GΩ min. at 500 V DC. Between center contact & outer contact. <u>Only with special option S1400:</u> 5 GΩ min. at 500 V DC. Between outer contact & aluminium housing.
Contact Resistance:	Center contact: 4 mΩ. Outer contact: 2,5 mΩ.
ROHS Compliant:	Connectors are ROHS compliant per ROHS directive 2002/95/EC of Jan 2003.

BNC SOCKET CONTACT INTERFACE IN ACCORDANCE TO MIL-STD-348 / MIL-C-39012/17H.

STEP	1	2	3	4	5	6
EXAMPLE	CIVAC	1 BNC	F/F	50	/AA	S****
STEP 1 – BASIC SERIES CIVAC Series						STEP 6 – SPECIAL OPTIONS S1400: Dielectric materiel between Outer contact and aluminium housing (Other options on request)
STEP 2 – CONNECTOR VARIANTS 1 BNC (Other configurations On request)						STEP 5 – ENVIRONMENTAL COMPLIANCE OPTIONS /AA Only – Compliant per EU Directive 2002/95/EC (RoHs)
STEP 3 – CONNECTOR GENDER F/F only						STEP 4 – IMPEDANCE 50 – nominal impedance 50 ohms 75 – nominal impedance 75 ohms