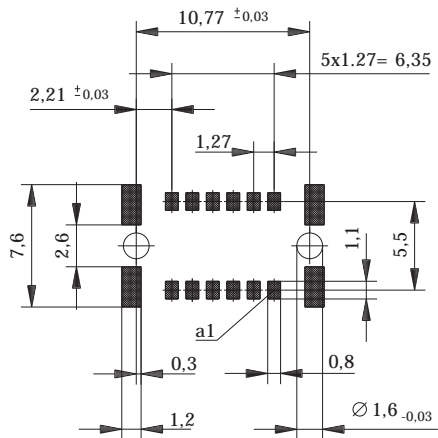


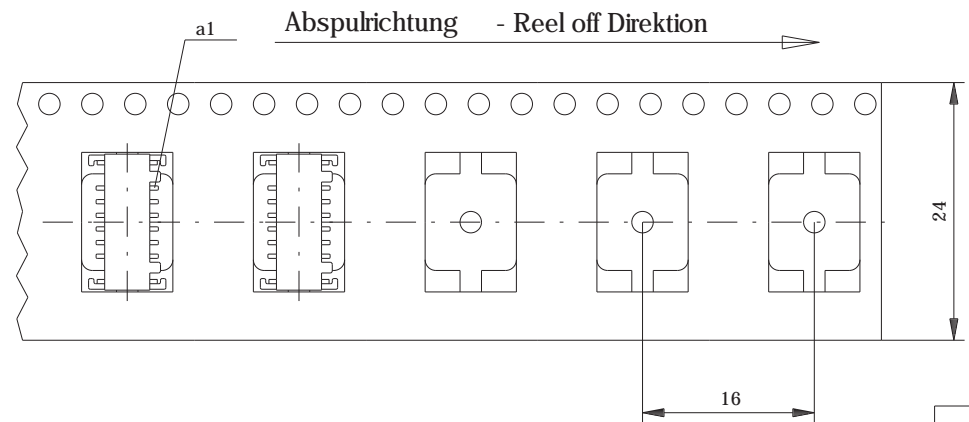
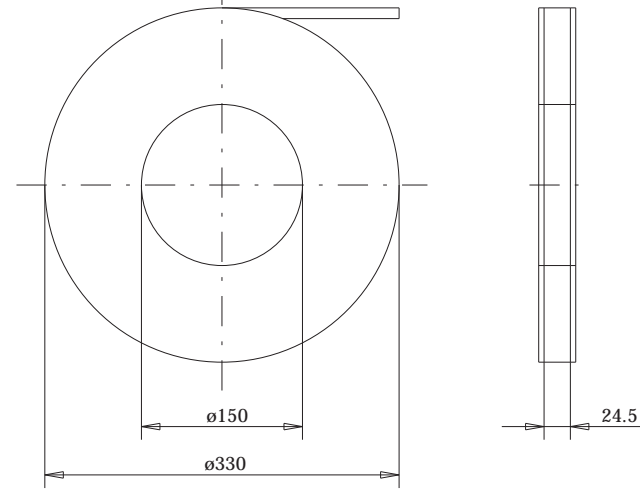
Leiterplatten-Layout Vorschlag für SMT
PCB-Layout Proposal for SMT



Anforderungsstufe 1
Performance Level 1
Kontaktbereich vergoldet
Mating Area gold plating
Anschlussbereich verzinkt 4-6 µm
Terminal Area 4-6 µm tin plating
Koplanarität der Anschlüsse ≤ 0.1mm
Coplanarity Area of Termination ≤ 0.1 mm

Verpackt in Gurtverpackung
Verpackungseinheit: 280 Stück

- Tape on Reel Packaging
- Packaging unit: 280 pcs



8mm Bauhöhe
low profile

Information:		Tolerances	Scale 3:1
All rights reserved. Only for information. To insure that this is the latest version of this drawing, please contact one of the ERNI companies before using.		Subject to modification without prior notice. Drawing will not be updated.	Designation Messerleiste SMC-Q, 12 polig Male Conn. SMC-Q, 12 contacts
www.ERNI.com		064321	
d	05.04.2004	1	
Index	Date	H:00039806.SZN SMCQ	