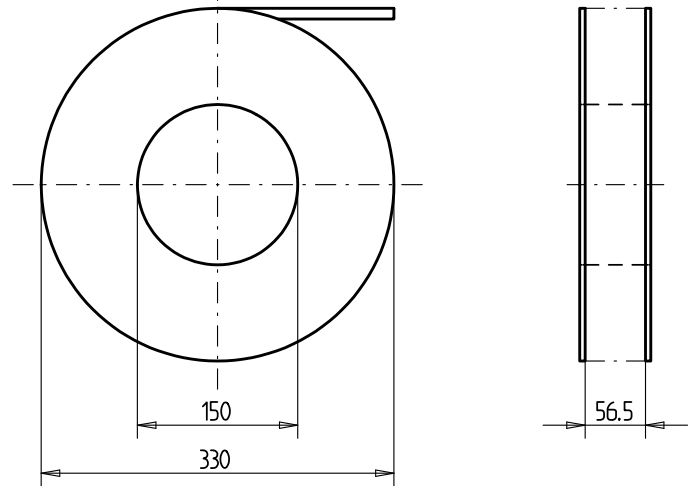
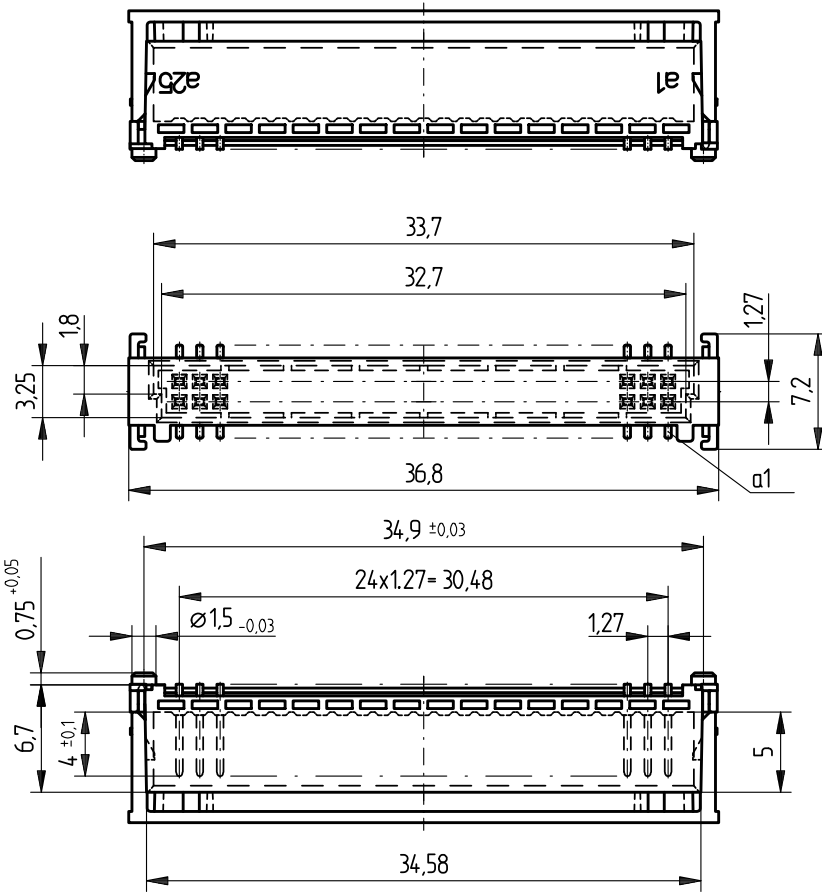
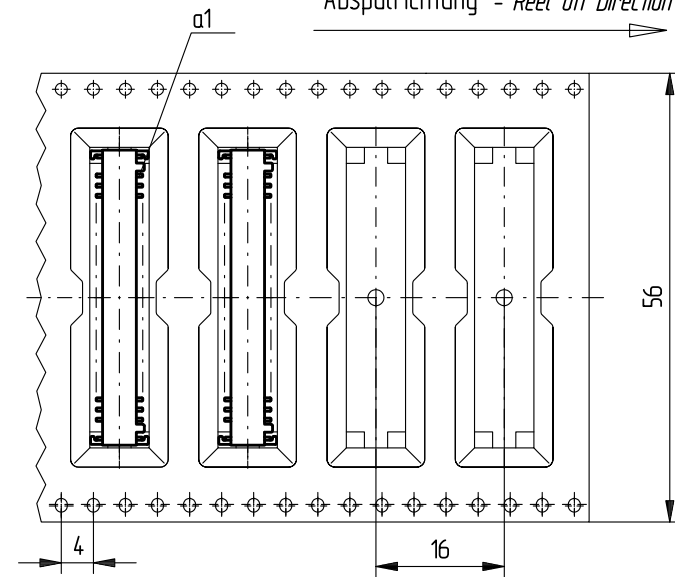


Verpackt in Gurtverpackung - *Tape on Reel Packaging*
 Verpackungseinheit: 280 Stück - *Packaging unit: 280 pcs*



Abspulrichtung - *Reel off Direction*



8mm Bauhöhe
low profile

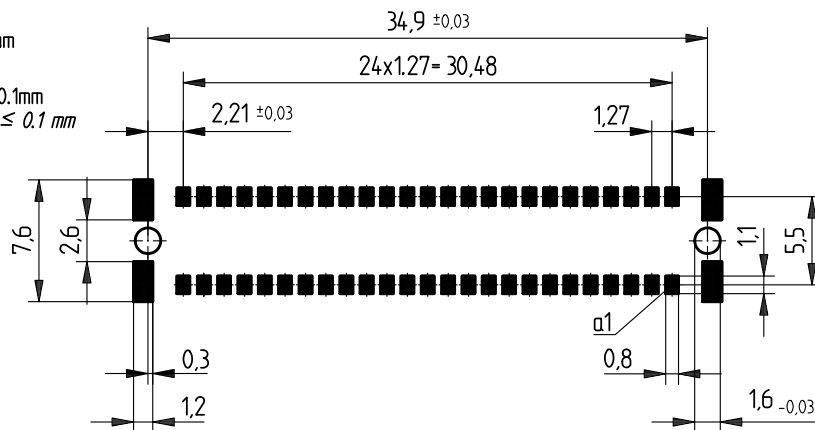
Anforderungsstufe 1
Performance Level 1

Kontaktbereich vergoldet
Mating Area gold plating

Anschlussbereich verzinkt 4-6 μm
Terminal Area 4-6 μm tin plating

Koplanarität der Anschlüsse $\leq 0,1\text{mm}$
Caplanarity Area of Termination $\leq 0,1\text{mm}$

Leiterplatten-Layout Vorschlag für SMT
PCB-Layout Proposal for SMT



Consider protection memo from DIN 34

Information:	Tolerances	Scale 3:1	Designation Messerleiste SMC-Q, 50 polig Male Conn. SMC-Q, 50 contacts
	All rights reserved. Only for information. To insure that this is the latest version of this drawing, please contact one of the ERNI companies before using.		
www.ERNI.com	064319	1	
d Index	13.02.2008 Date	M:00064895.SZA	SMCQ