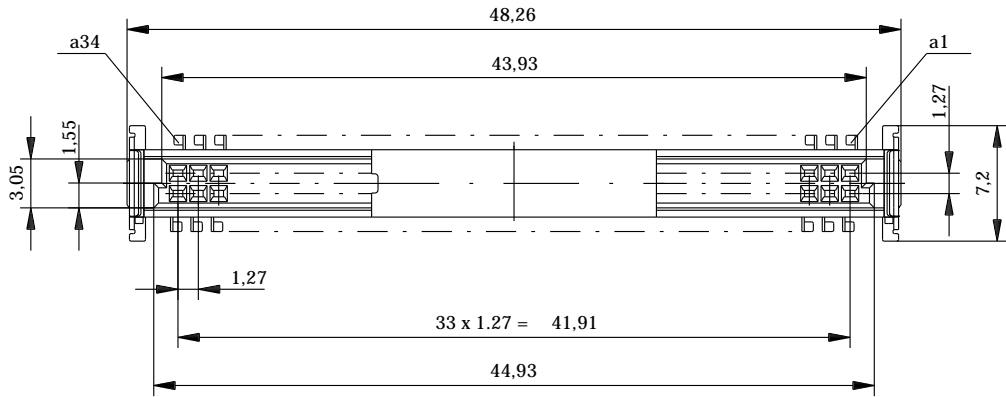
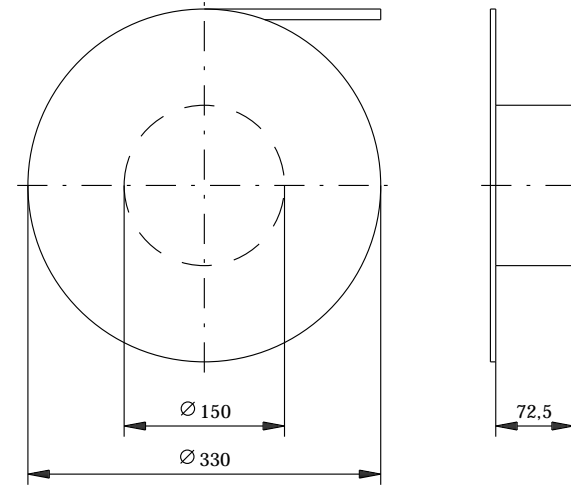
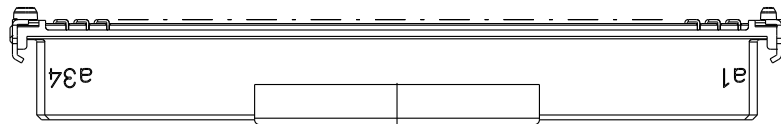
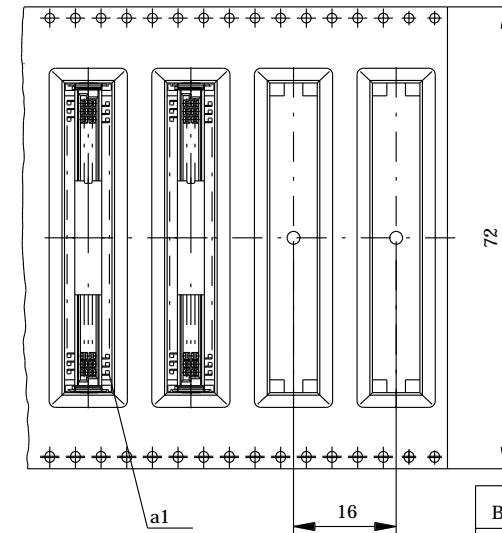


Verpackt in Gurtverpackung
Verpackungseinheit: 280 Stück

- Tape on Reel Packaging
- Packaging unit: 280 pcs

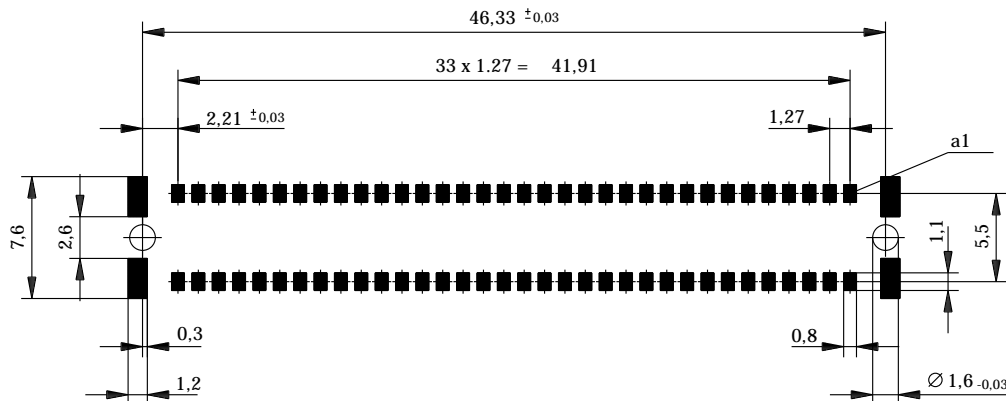


Abspulrichtung - Reel off Direction



Leiterplatten-Layout Vorschlag für SMT
PCB-Layout Proposal for SMT

Anforderungsstufe 1
Performance Level 1
Kontaktbereich vergoldet
Mating Area gold plating
Anschlussbereich verzinkt 4-6 µm
Terminal Area 4-6 µm tin plating
Koplanarität der Anschlüsse ≤ 0.1mm
Coplanarity Area of Termination ≤ 0.1 mm



BA7-13 - 8 mm Bauhöhe

type7-13 - Low Profile

Information:		Tolerances	Scale 3:1
All rights reserved. Only for information. To insure that this is the latest version of this drawing, please contact one of the ERNI companies before using.		All Dimensions in mm	Angaben zu entsprechender Ident-Nr. siehe Fertigungsunterlagen. For further information about LD. number see manufacturing document.
Subject to modification without prior notice. Drawing will not be updated.		Designation	
www.ERNI.com		Federl. SMC-B 68-SMD-BA7-13 Female SMC-B 68-SMD-type7-13	
17.11.2005		154808	
Date		SMC	
V:00059781.SZA		B	

Consider protection memo from DIN 34