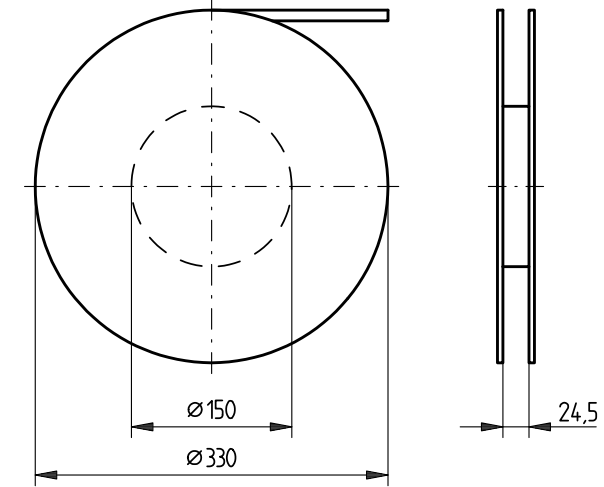
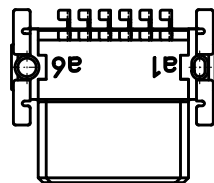
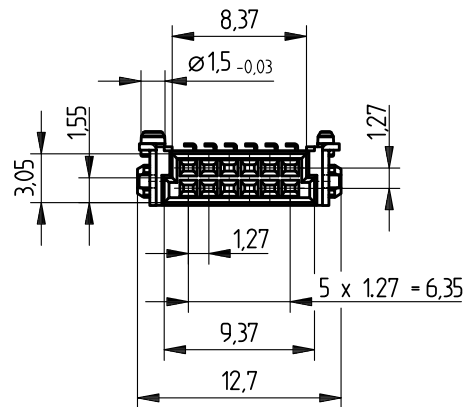
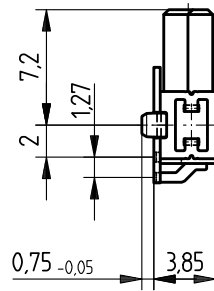
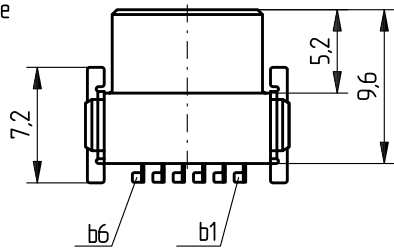


Leiterplatten-Layout Vorschlag für SMT  
PCB-Layout Proposal for SMT

Verpackt in Gurtverpackung - Tape on Reel Packaging  
Verpackungseinheit: 560 Stück - Packaging unit: 560 pcs

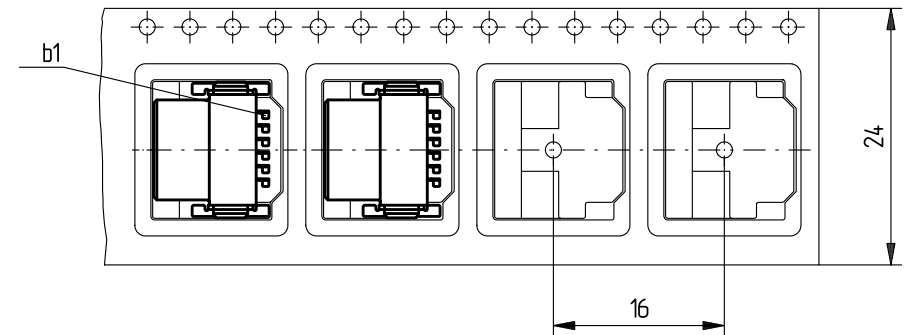


Bedruckungsvorschrift siehe  
Ablage-Nr. 284009  
prints specification see  
drawing 284009



Anforderungsstufe 1  
Performance Level 1  
Kontaktbereich vergoldet  
Mating Area gold plating  
Anschlussbereich verzinkt 4-6 µm  
Terminal Area 4-6 µm tin plating  
Koplanarität der Anschlüsse ≤ 0.1mm  
Coplanarity Area of Termination ≤ 0.1 mm

Abspulrichtung - Reel off Direction



BA7-03 - Standard Bauhöhe  
type7-03 - Standard Assembly Height

Information:	Tolerances	 All Dimensions in mm	Scale	3:1
	All rights reserved. Only for information. To insure that this is the latest version of this drawing, please contact one of the ERNI companies before using.		Designation <b>Federl. SMC-Q 12-SMD-BA7-03</b> <b>Female SMC-Q 12-SMD-type7-03</b>	
Subject to modification without prior notice. Drawing will not be updated.		 www.ERNI.com	<b>154740</b>	
d	18.09.2007		SMCQ	
Index	Date	V:00063485.SZA		

Consider protection memo from DIN 34