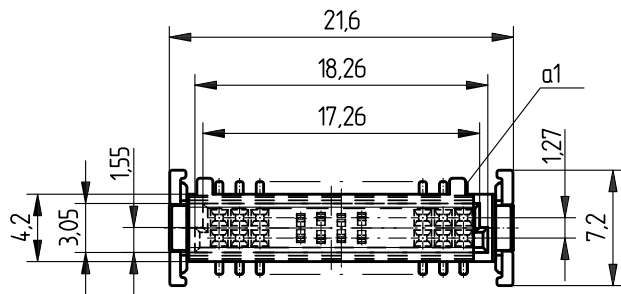
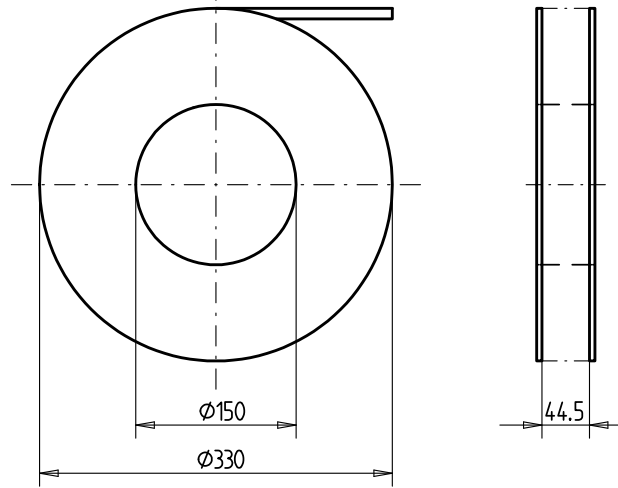
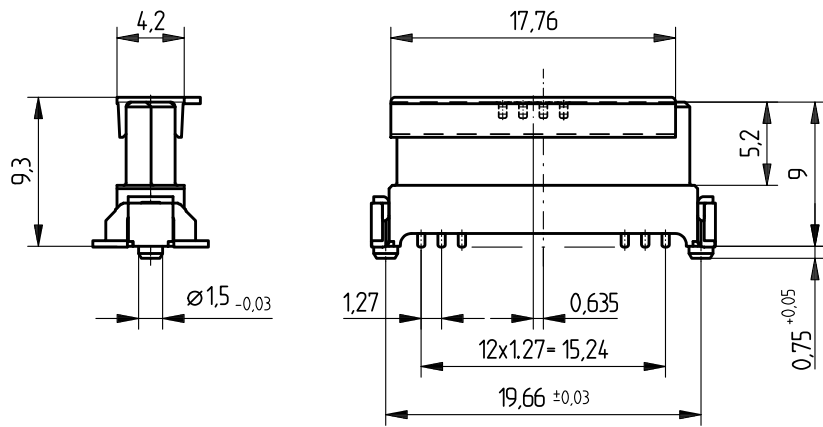
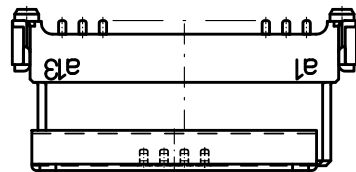


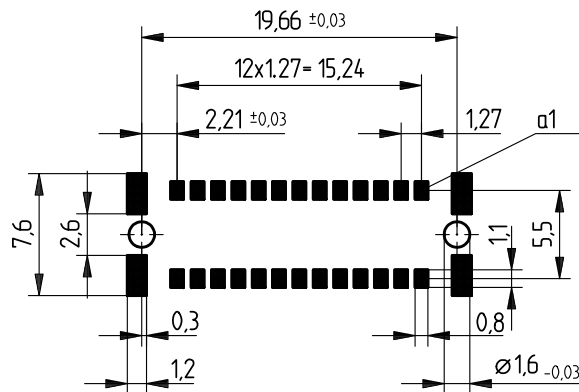
Verpackt in Gurtverpackung - *Tape on Reel Packaging*  
 Verpackungseinheit: 280 Stück - *Packaging unit: 280 pcs*



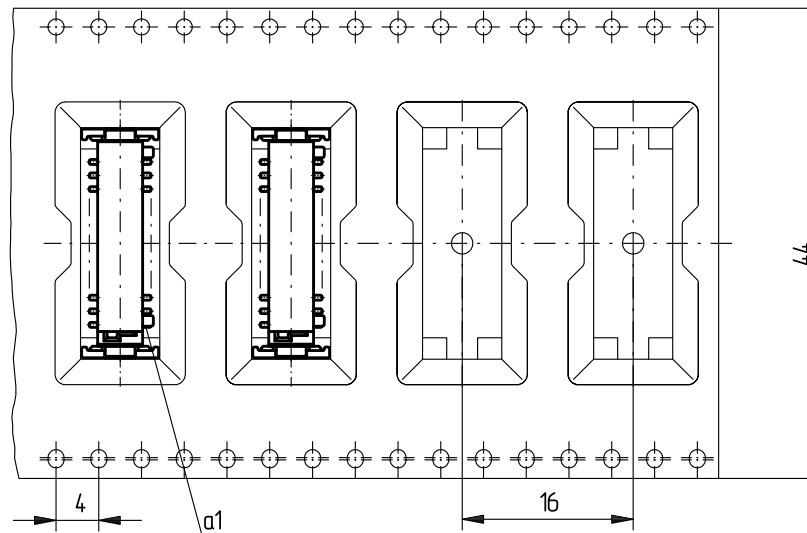
Anforderungsstufe 1  
*Performance Level 1*  
 Kontaktbereich vergoldet  
*Mating Area gold plating*  
 Anschlussbereich verzinkt 4-6  $\mu\text{m}$   
*Terminal Area 4-6  $\mu\text{m}$  tin plating*  
 Koplanarität der Anschlüsse  $\leq 0.1\text{mm}$   
*Coplanarity Area of Termination  $\leq 0.1\text{mm}$*



Leiterplatten-Layout Vorschlag für SMT  
*PCB-Layout Proposal for SMT*



Abspulrichtung - *Reel off Direction*



Standard Bauhöhe, BA 6  
 Standard Assembly Height, BA 6

Information:	Tolerances	Scale 3:1	Designation
	All rights reserved. Only for information. To insure that this is the latest version of this drawing, please contact one of the ERNI companies before using.		
Consider protection memo from DIN 34	Subject to modification without prior notice. Drawing will not be updated.	www.ERNI.com	124044
b	06.02.2008	Q:00064771.SZA	SMCB
Index	Date		