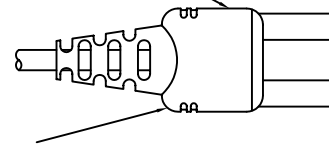
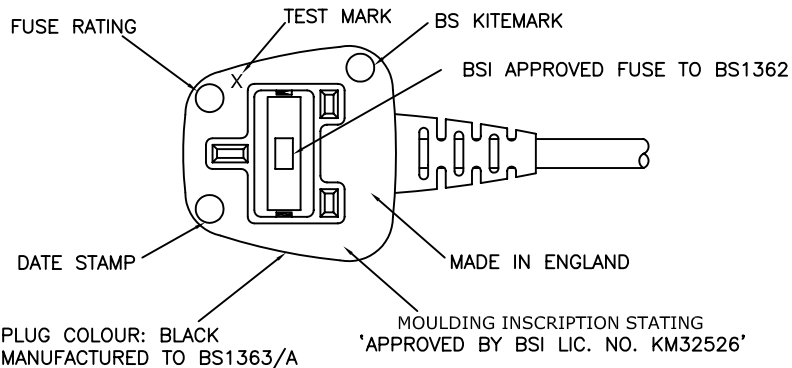
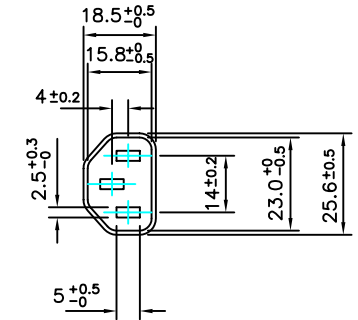
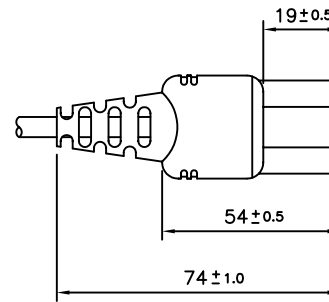
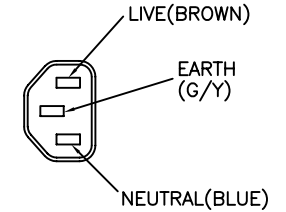


IEC CONNECTOR COLOUR: BLACK



MOULDING INSCRIPTION STATING (UNDERNEATH)  
 "CXC BS4491-10A/250V-BS KITEMARK"



10A CONNECTOR APPROVALS

VDE	Germany	KEMA	Netherlands
N	Norway	CEBEC	Belgium
S	Sweden	BSI	UK
D	Denmark		
FI	Finland		

DO NOT SCALE  
 DIMENSIONS FOR REFERENCE ONLY

UK FULLY MOULDED PLUG ( 3A FUSED)  
 H05VV-F 3 CORE x 0.75mm<sup>2</sup>  
 TO STRAIGHT IEC 320 COLD CONNECTOR  
 1950mm  
 BLACK