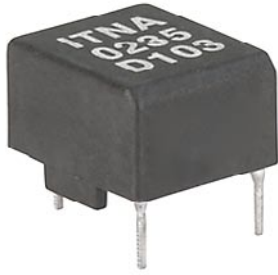


Pulse transformers for THT mounting

**Description**

- High insulation rating (>3.2 kVAC) between the primary and the secondary windings
- High insulation rating up to 500V between the secondary windings
- Small coupling capacitances between primary and secondary windings limit transient feedback from the power supply side to the control electronics
- The defined partial discharge voltage guarantees an effectively unlimited serviceable life

Standards

- VDE 110b

Applications

- Galvanic separation of drive- and power-circuit
- Mainly used in ignition circuits with Thyristors, Triacs, power transistors and IGBT's
- DC/DC converters
- Line coupling transformers in high speed data transmission

References**Weblinks**

[General Product Information](#), [Approvals](#), [RoHS](#), [CHINA-RoHS](#), [e-Store](#), [SCHURTER-Stock-Check](#), [Distributor-Stock-Check](#)

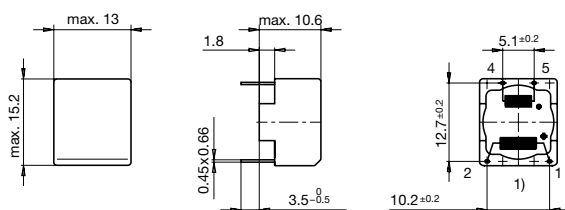
Technical Data

Rated voltage	up to 600 VAC
Voltage Time Integral	150 - 400 Vμs
Pulse Rise Time	0.05 - 1.5 μs
Turns Ratio	1:1, 2:1, 1:1:1
Terminal technic	THT
Weight	6 - 11 g
Material: Housing	Plastics
Sealing Compound	UL 94V-0

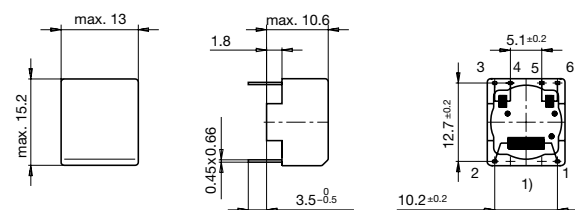
Climatic Category	25/100/21 acc. to IEC 60068-1
Allowable Operation Temp.	-25°C to 100°C

Dimensions

Case 35-3

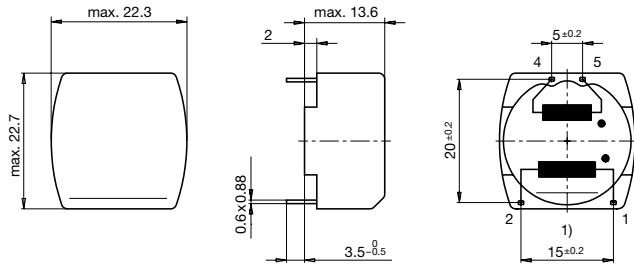


Case 35-4

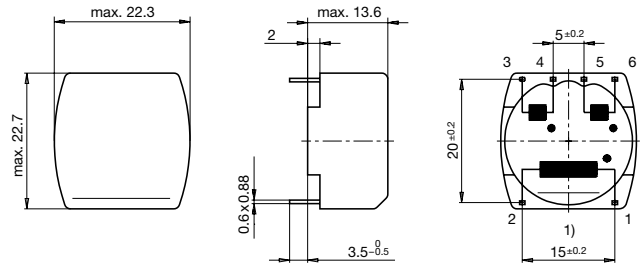


1) Prim.

Case 39-3



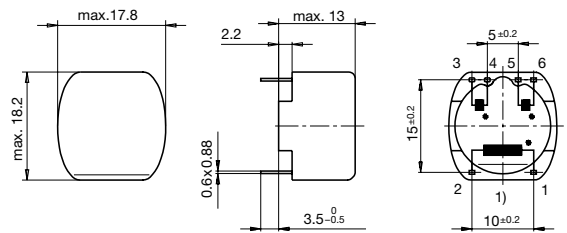
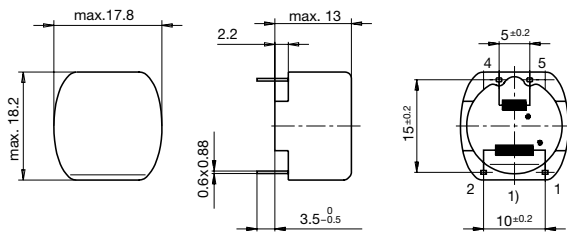
Case 39-4



1) Prim.

Case 49-4

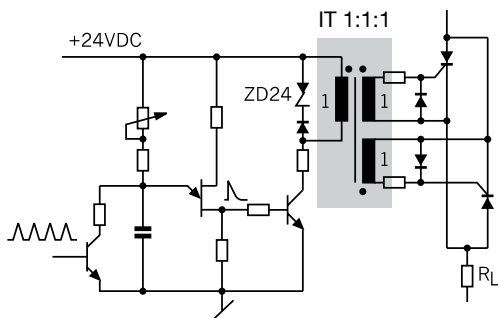
Case 49-3



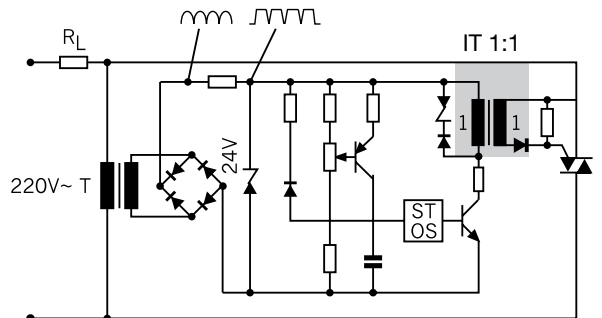
1) Prim.

1) Prim.

Diagrams



Firing of antiparallel Thyristors (SCR's) by means of unijunction and transistor amplifiers



Triac phase angle control

Variants

Turns Ratio	T_r [μ s]	I_{ign} [A]	U_{isol} [kV]	$U_s \times T_w$ [μ s]	L_s [mH]	R_p [Ω]	R_s [Ω]	C_c [pF]	Weight [g]	Packing unit [pcs.]	Housing	Order Number
1:1	0.05	0.1	3.2	200	2.8	1.5	1	43/80	8	480	35-3	ITRA-0235-D103
1:1	0.9	0.1	3.5	200	2.8	1	1	20	8	480	35-3	ITNA-0235-D103
1:1	0.1	0.5	3.2	400	2.2	0.4	0.4	100	11	140	39-3	ITRA-0239-D502
1:1	1	0.17	3.5	400	2.2	0.4	0.4	20	11	140	39-3	ITNA-0239-D202
1:1	0.05	0.1	3.2	300	3.5	0.7	0.7	90	9	45	49-3	ITRA-0249-D104
1:1	1	0.1	3.5	300	3.5	0.7	0.7	20	9	45	49-3	ITNA-0249-D104
1:1:1	0.05	0.1	3.2	150	1.1	1	0.5	40	8	480	35-4	ITRF-0235-D101
1:1:1	0.9	0.1	3.5	150	1.1	0.5	0.5	10	3	480	35-4	ITNF-0135-D101
1:1:1	0.5	0.5	3.2	350	1.6	0.4	0.4	90	10	140	39-4	ITRF-0239-D502
1:1:1	1.5	0.17	3.5	350	1.6	0.4	0.4	20	10	140	39-4	ITNF-0239-D202
1:1:1	0.05	0.1	3.2	250	1.2	0.4	0.5	70	9	45	49-4	ITRF-0249-D101
1:1:1	1	0.1	3.5	250	1.4	0.5	0.5	20	9	45	49-4	ITNF-0249-D101
2:1	0.5	0.5	3.2	350	1.8	0.8	0.4	90	9	45	39-3	ITRB-0239-D502
2:1	1.5	0.17	3.5	350	1.8	0.8	0.4	20	9	140	39-3	ITNB-0239-D202
2:1	0.05	0.1	3.2	250	1.4	1	0.5	70	9	45	49-3	ITRB-0249-D101
2:1	1	0.1	3.5	250	1.6	1	0.5	20	6	45	49-3	ITNB-0249-D101