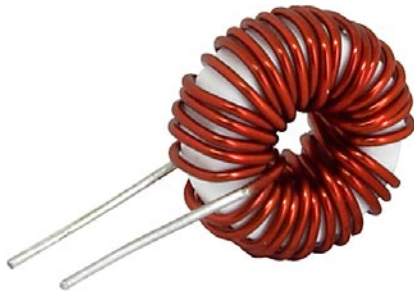


Linear Choke, open version, without socket



**Description**

- Linear choke
- Wire leads
- Open version without socket and chassis

**Standards**

- EN 60938

**Applications**

- Smoothing RFI suppression choke
- RFI suppression choke
- Chopper amplifiers
- DC drives and stepper motor controls
- Switching power supplies

**References**

**Weblinks**

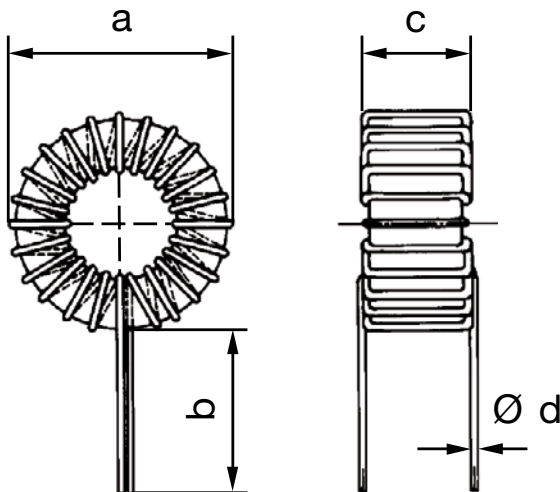
[General Product Information](#), [Approvals](#), [RoHS](#), [CHINA-RoHS](#), [e-Store](#), [SCHURTER-Stock-Check](#), [Distributor-Stock-Check](#)

**Technical Data**

Rated voltage	to 600VDC
Rated Current	0.45 - 7A @ Ta 70 °C
Rated inductance	0.02 - 5mH, Tol. ±15%
Power Operating Frequency	up to 20kHz
Terminal technic	Wire leads
Weight	10 - 12g

Isolation Voltage	2 kV eff., winding to ambient
Climatic Category	40/125/21 acc. to IEC 60068-1
Allowable Operation Temp.	-40°C to 125°C

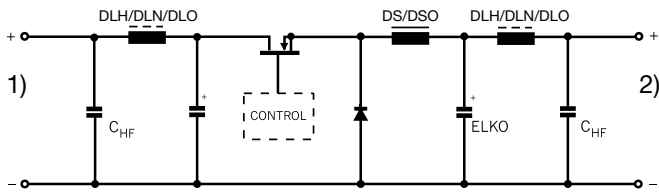
**Dimensions**



Dimensions: see table of variants

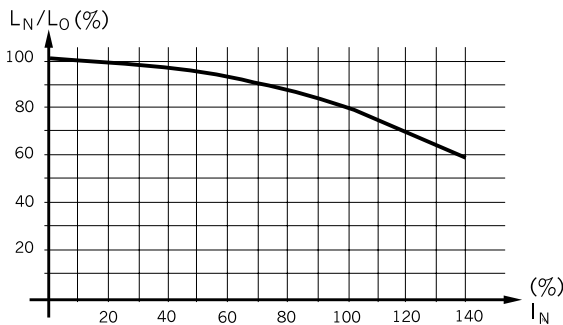
## Diagrams

Application in DC-DC Converter



- 1) DC-Input unregulated
- 2) DC-Output regulated

## Derating Curves



Inductance variation as function of the magnetizing current

## Variants

$I_n$ [A]	$L_n$ [mH]	$R_{cu}$ [mΩ]	$f_{RES}$ [MHz]	Inductance drop max [%]	A [mm]	B [mm]	C [mm]	D [mm]	Weight [g]	Packing unit [pcs.]	Order Number
0.45	5	3000	0.3	20	20	15	10	0.27	10	200	DL01-24-0008
0.6	3	1550	0.4	20	20	36	10	0.32	11	200	DL01-24-0007
1.0	1	600	0.8	20	20	15	10	0.38	10	200	DL01-24-0006
1.5	0.5	280	1.3	20	20	15	10	0.48	10	200	DL01-24-0005
1.8	0.3	178	2	20	20	15	10	0.55	10	200	DL01-24-0004
3	0.1	70	8.2	20	20	36	10	0.65	10	200	DL01-24-0003
4.5	0.05	26	8.4	20	20	15	10	0.9	11	200	DL01-24-0002
7	0.02	12	20.2	20	20	36	10	1.2	12	200	DL01-24-0001

$R_{cu}$  at  $T_u$  20°C

Inductance drop at  $I_n$

Derating at  $T_u > 70^\circ\text{C}$ :  $I = I_n \times ((125 - T_u) / 55)^{0.5}$