

max. 80 m³/h

DC axial fans

Series 8300 80 x 80 x 32 mm



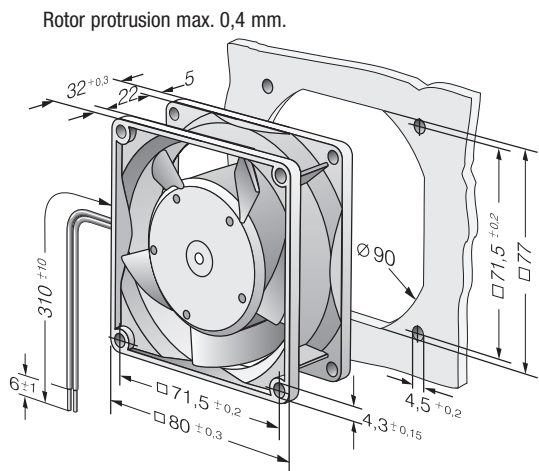
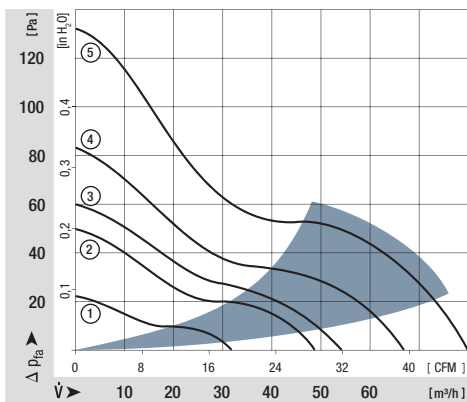
Highlights:

- Optional Vario-Pro: Highly adaptable software configuration of the fan enables a tailor-made solution to the specific requirements of your applications.

General characteristics:

- Material: fibreglass-reinforced plastic. Impeller PA, housing PBT.
- Fully integrated electronic commutation.
- Protected against reverse polarity and locking.
- Connection via single strands AWG 22, TR 64. Bared and tin-plated.
- Air exhaust over struts. Direction of rotation clockwise, seen on rotor.
- Mass: 170 g.

Nominal data	Air flow		Nominal voltage	Voltage range	Sound pressure level	Sound power level	Sinter sleeve bearings Ball bearings	Power input	Nominal speed	Temperature range	Service life L ₁₀ (40 °C) ebm-papst Standard	Service life L ₁₀ (T _{max}) ebm-papst Standard	Life expectancy L ₁₀ Δ (40 °C) see P. 15	Curve	Specials
	m ³ /h	CFM													
8312 L	32	18,8	12	6...15	24	4,0	■	1,2	2 000	-20...+75	80 000 / 32 500	160 000	1		
8312 M	48	28,3	12	6...15	34	5,0	■	2,2	3 000	-20...+75	70 000 / 27 500	140 000	2		
8312	54	31,8	12	6...15	36	5,2	■	2,6	3 300	-20...+75	70 000 / 27 500	140 000	3		
8312 HL	67	39,4	12	6...15	43	5,8	■	4,0	4 200	-20...+75	62 500 / 25 000	125 000	4	/2	
8312 H	80	47,1	12	6...12,6	48	6,2	■	6,5	5 000	-20...+60	55 000 / 35 000	110 000	5		
8314 L	32	18,8	24	12...31,5	24	4,0	■	1,0	2 000	-20...+75	80 000 / 32 500	160 000	1		
8314 M	48	28,3	24	12...31,5	34	5,0	■	2,3	3 000	-20...+75	70 000 / 27 500	140 000	2		
8314	54	31,8	24	12...31,5	36	5,2	■	2,7	3 300	-20...+75	70 000 / 27 500	140 000	3	/2	
8314 HL	67	39,4	24	12...31,5	43	5,8	■	4,3	4 200	-20...+75	62 500 / 25 000	125 000	4	/2	
8314 H	80	47,1	24	12...28	48	6,2	■	6,0	5 000	-20...+75	55 000 / 22 500	100 000	5	/2/19	
8318	54	31,8	48	36...56	36	5,2	■	2,6	3 300	-20...+75	70 000 / 27 500	140 000	3	/2/17	
8318 HL	67	39,4	48	36...56	43	5,8	■	4,3	4 200	-20...+75	62 500 / 25 000	125 000	4		
8318 H	80	47,1	48	36...56	48	6,2	■	5,8	5 000	-20...+65	55 000 / 30 000	100 000	5	/17	



Rotor protrusion max. 0,4 mm.

