

## Technical Data For D-Sub Connectors

Technical Data	D-Subminiature Standard 9, 15, 25, 37 and 50 position	D-Subminiature High Density 15, 25, 44, 62 and 78 position
Insulators	Polyester GF UL 94 V-0	
Contacts	Copper alloy	
Contact finish	hard-gold-plated over nickel	
Shell	tin plated or yellow chromate	
Test voltage V.r.m.s./NM	1000 V	
Working voltage	125 V ≈	60 V ≈
	depending on isolation coordination (refer to DIN VDE 0110 / IEC 664-1)	
Current Rating	7.5 A UL 5 A CSA 5 A VDE	3.0 A UL 2.5 A CSA 3 A VDE
Contact resistance	max. 10 mΩ initially, ΔR max. 10 mΩ after load in accordance DIN 41652, Part 2	
Insulation resistance	≥ 5 GΩ	
Clearance and creepage distance	contact - contact 1.0 mm contact - ground 1.2 mm	≥0.6 mm
Operating temperature	- 55 °C to + 125 °C	
Mating/Unmating forces	9-pol. ≤ 30 N 15-pol. ≤ 50 N 25-pol. ≤ 83 N 37-pol. ≤ 123 N 50-pol. ≤ 167 N	15-pol. ≤ 50 N 26-pol. ≤ 84 N 44-pol. ≤ 120 N 62-pol. ≤ 170 N 78-pol. ≤ 200 N
Quality class	A = Quality class 3 = 50 mating cycles B = Quality class 2 = 200 mating cycles C = Quality class 1 = 500 mating cycles J = Quality class 1 ≥ 500 mating cycles ( telecom quality )	

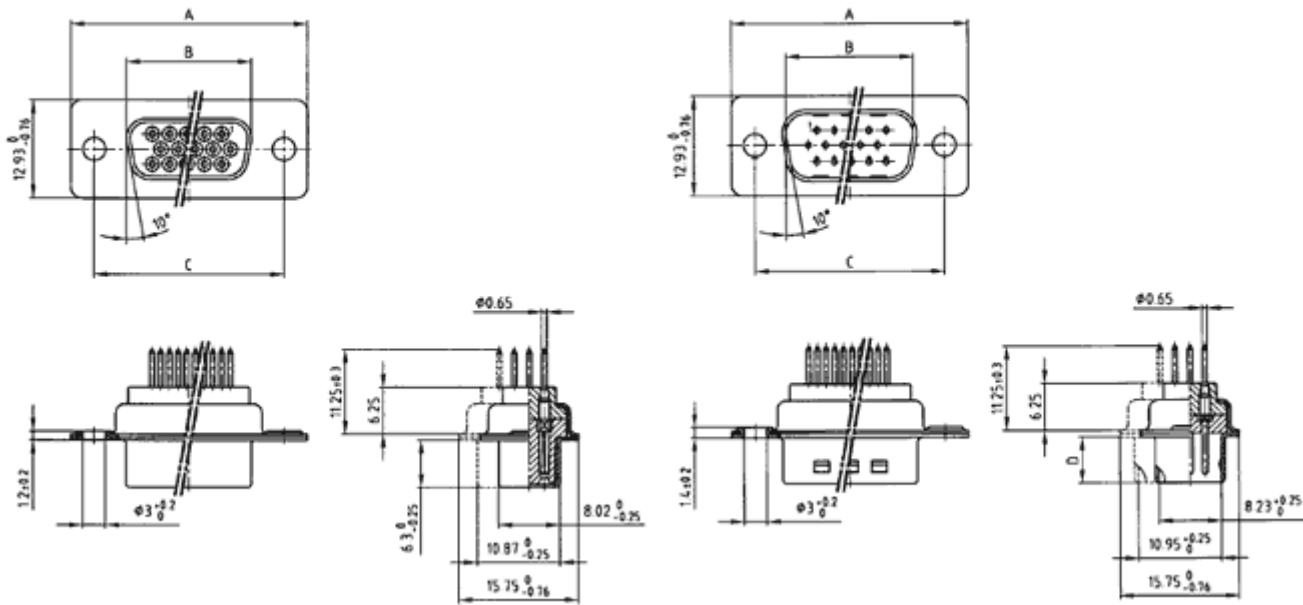


D-Sub Connector  
High Density  
Solder pin straight  
with through hole

Directive 2002/95/EC  
„RoHS“  
Compliant

Socket connector

Plug connector



Socket connector:

No. of pos.	A -0,76	B-0,25	C
15	31,19	16,46	25,00 <sup>+0,12</sup> <sub>-0,13</sub>
26	39,52	24,79	33,30 <sup>+0,15</sup> <sub>-0,10</sub>
44	53,42	38,50	47,04 <sup>+0,13</sup>
62	69,70	54,96	63,50 <sup>+0,13</sup>
78	67,31	52,55	61,10 <sup>+0,14</sup> <sub>-0,11</sub>

Plug connector:

No. of pos.	A -0,76	B+0,25	C	D -0,30
15	31,19	16,79	25,00 <sup>+0,12</sup> <sub>-0,13</sub>	6,12
26	39,52	25,12	33,30 <sup>+0,15</sup> <sub>-0,10</sub>	6,12
44	53,42	38,84	47,04 <sup>+0,13</sup>	5,99
62	69,70	55,30	63,50 <sup>+0,13</sup>	5,99
78	67,31	52,68	61,10 <sup>+0,14</sup> <sub>-0,11</sub>	5,99

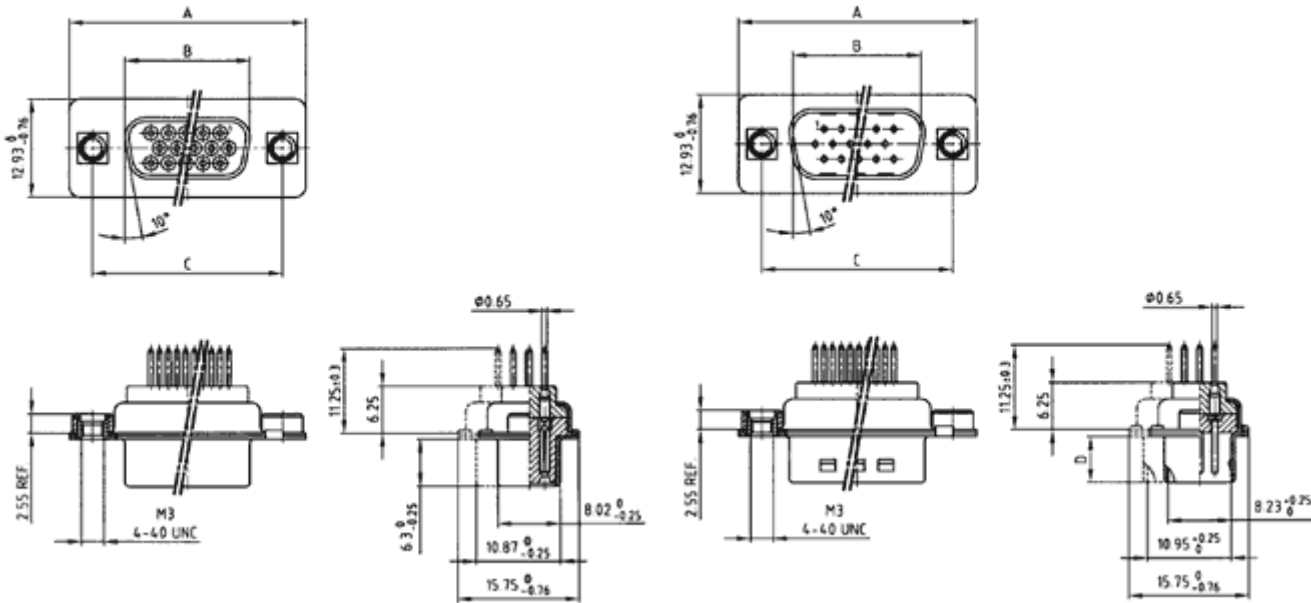


D-Sub Connector  
High Density  
Solder pin straight  
with threaded insert

Directive 2002/95/EC  
"RoHS"  
Compliant

Socket connector

Plug connector



Socket connector:

No. of pos.	A -0,76	B-0,25	C
15	31,19	16,46	25,00 <sup>+0,12</sup> <sub>-0,13</sub>
26	39,52	24,79	33,30 <sup>+0,15</sup> <sub>-0,10</sub>
44	53,42	38,50	47,04 <sup>±0,13</sup>
62	69,70	54,96	63,50 <sup>±0,13</sup>
78	67,31	52,55	61,10 <sup>+0,14</sup> <sub>-0,11</sub>

Plug connector:

No. of pos.	A -0,76	B+0,25	C	D -0,30
15	31,19	16,79	25,00 <sup>+0,12</sup> <sub>-0,13</sub>	6,12
26	39,52	25,12	33,30 <sup>+0,15</sup> <sub>-0,10</sub>	6,12
44	53,42	38,84	47,04 <sup>±0,13</sup>	5,99
62	69,70	55,30	63,50 <sup>±0,13</sup>	5,99
78	67,31	52,68	61,10 <sup>+0,14</sup> <sub>-0,11</sub>	5,99

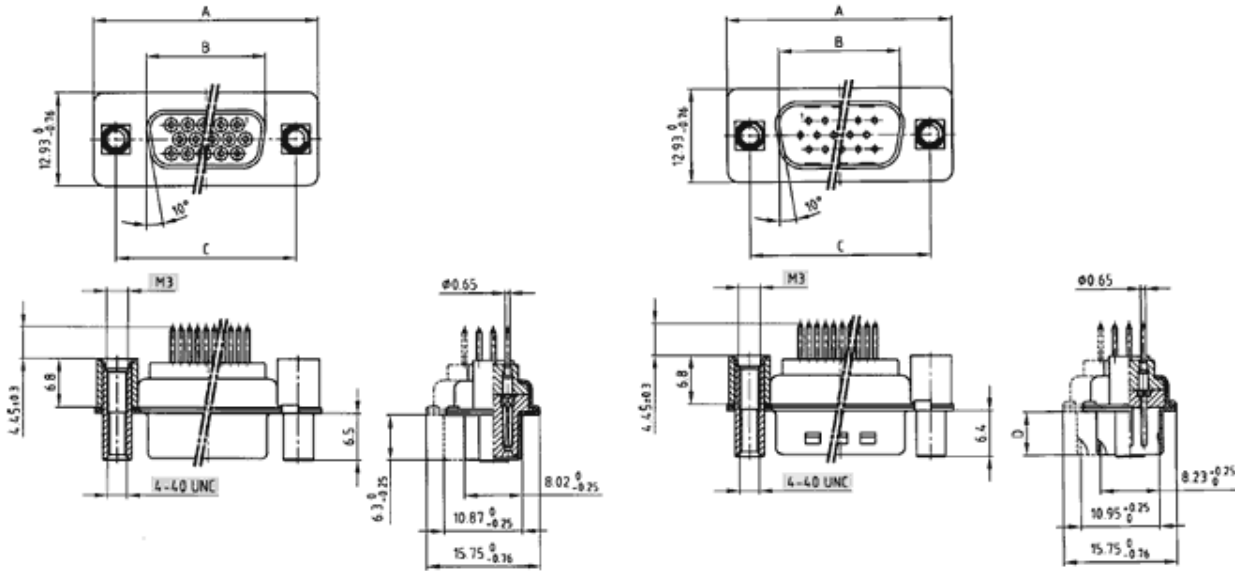


D-Sub Connector  
 High Density  
 Solder pin straight  
 with threaded rear spacer  
 and front threaded lock  
 4-40 UNC - M3 (mixed thread)

Directive 2002/95/EC  
 „RoHS“  
 Compliant

Socket connector

Plug connector



Socket connector:

No. of pos.	A -0,76	B-0,25	C
15	31,19	16,46	25,00 <sup>+0,12</sup> <sub>-0,13</sub>
26	39,52	24,79	33,30 <sup>+0,15</sup> <sub>-0,10</sub>
44	53,42	38,50	47,04 <sup>±0,13</sup>
62	69,70	54,96	63,50 <sup>±0,13</sup>
78	67,31	52,55	61,10 <sup>+0,14</sup> <sub>-0,11</sub>

Plug connector:

No. of pos.	A -0,76	B+0,25	C	D -0,30
15	31,19	16,79	25,00 <sup>+0,12</sup> <sub>-0,13</sub>	6,12
26	39,52	25,12	33,30 <sup>+0,15</sup> <sub>-0,10</sub>	6,12
44	53,42	38,84	47,04 <sup>±0,13</sup>	5,99
62	69,70	55,30	63,50 <sup>±0,13</sup>	5,99
78	67,31	52,68	61,10 <sup>+0,14</sup> <sub>-0,11</sub>	5,99

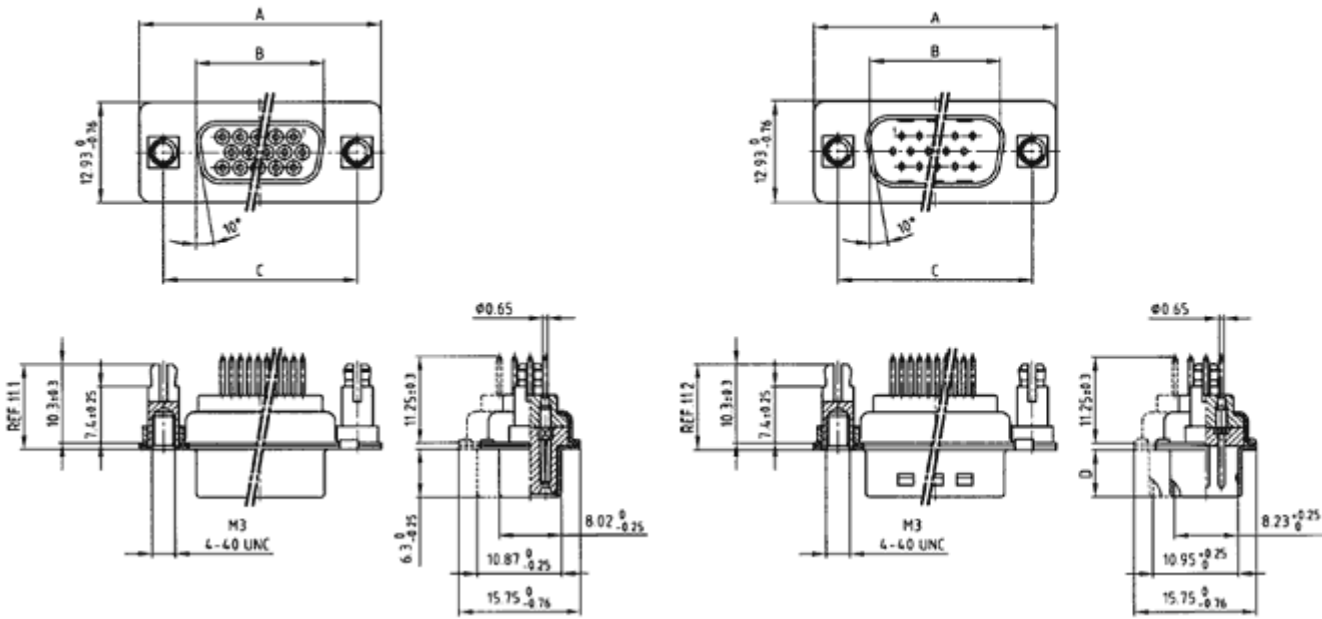


D-Sub Connector  
 High Density  
 Solder pin straight  
 with threaded spacer clip

Directive 2002/95/EC  
 „RoHS“  
 Compliant

Socket connector

Plug connector



Socket connector:

No. of pos.	A -0,76	B-0,25	C
15	31,19	16,46	25,00 <sup>+0,12</sup> <sub>-0,13</sub>
26	39,52	24,79	33,30 <sup>+0,15</sup> <sub>-0,10</sub>
44	53,42	38,50	47,04 <sup>±0,13</sup>
62	69,70	54,96	63,50 <sup>±0,13</sup>
78	67,31	52,55	61,10 <sup>+0,14</sup> <sub>-0,11</sub>

Plug connector:

No. of pos.	A -0,76	B+0,25	C	D -0,30
15	31,19	16,79	25,00 <sup>+0,12</sup> <sub>-0,13</sub>	6,12
26	39,52	25,12	33,30 <sup>+0,15</sup> <sub>-0,10</sub>	6,12
44	53,42	38,84	47,04 <sup>±0,13</sup>	5,99
62	69,70	55,30	63,50 <sup>±0,13</sup>	5,99
78	67,31	52,68	61,10 <sup>+0,14</sup> <sub>-0,11</sub>	5,99

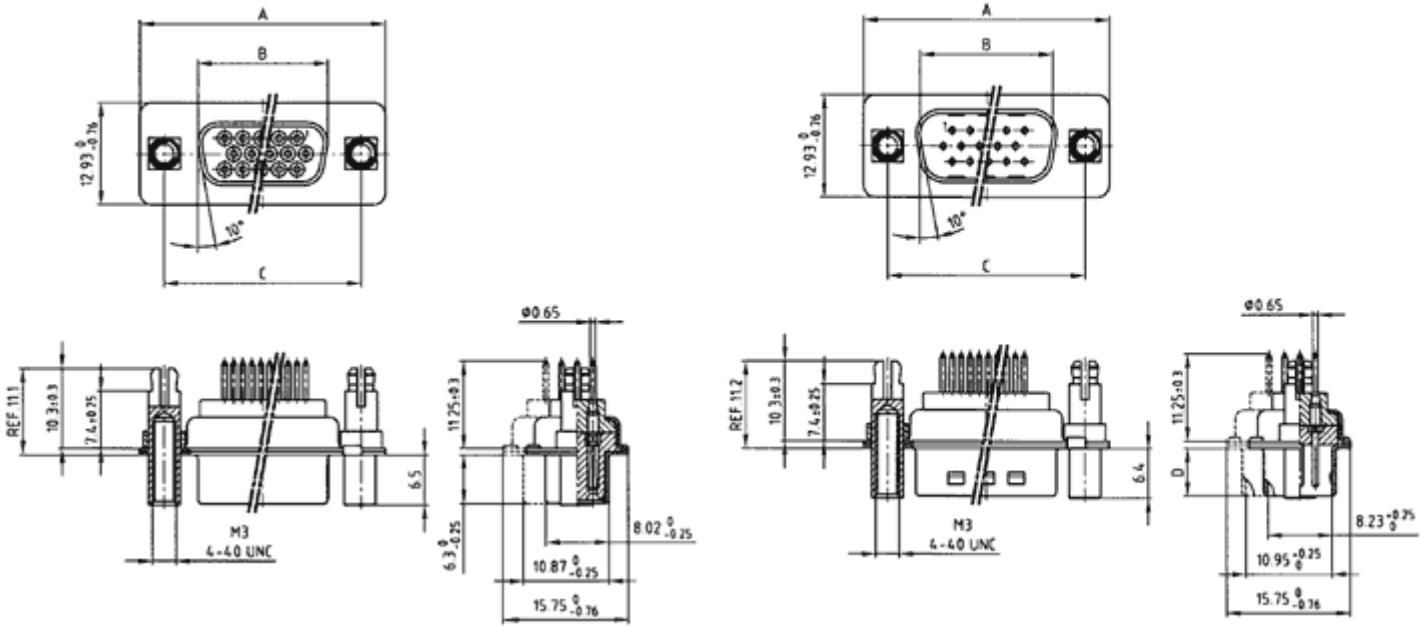


D-Sub Connector  
High Density  
Solder pin straight  
with threaded lock  
and spacer clip

Directive 2002/95/EC  
„RoHS“  
Compliant

Socket connector

Plug connector

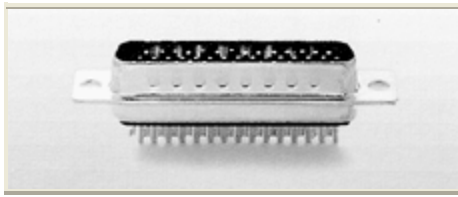


Socket connector:

No. of pos.	A -0,76	B-0,25	C
15	31,19	16,46	25,00 <sup>+0,12</sup> <sub>-0,13</sub>
26	39,52	24,79	33,30 <sup>+0,15</sup> <sub>-0,10</sub>
44	53,42	38,50	47,04 <sup>±0,13</sup>
62	69,70	54,96	63,50 <sup>±0,13</sup>
78	67,31	52,55	61,10 <sup>+0,14</sup> <sub>-0,11</sub>

Plug connector:

<b>No. of pos.</b>	<b>A -0,76</b>	<b>B+0,25</b>	<b>C</b>	<b>D -0,30</b>
15	31,19	16,79	25,00 <sup>+0,12</sup> <sub>-0,13</sub>	6,12
26	39,52	25,12	33,30 <sup>+0,15</sup> <sub>-0,10</sub>	6,12
44	53,42	38,84	47,04 <sup>+0,13</sup>	5,99
62	69,70	55,30	63,50 <sup>+0,13</sup>	5,99
78	67,31	52,68	61,10 <sup>+0,14</sup> <sub>-0,11</sub>	5,99

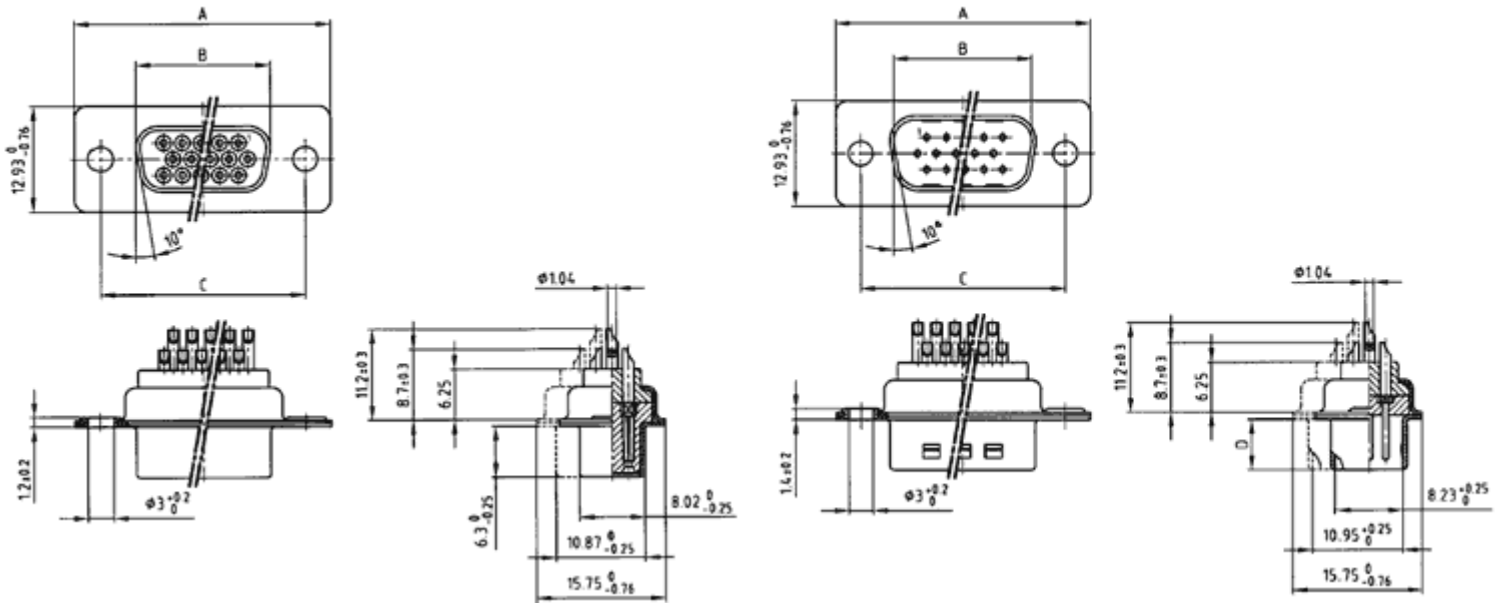


D-Sub Connector  
 High Density  
 Solder cup  
 accepts cable AWG 22  
**stamped contacts**  
 with through hole

Directive 2002/95/EC  
 „RoHS“  
 Compliant

Socket connector

Plug connector



Socket connector:

No. of pos.	A -0,76	B-0,25	C
15	31,19	16,46	25,00 <sup>+0,12</sup> <sub>-0,13</sub>
26	39,52	24,79	33,30 <sup>+0,15</sup> <sub>-0,10</sub>
44	53,42	38,50	47,04 <sup>±0,13</sup>
62	69,70	54,96	63,50 <sup>±0,13</sup>
78	67,31	52,55	61,10 <sup>+0,14</sup> <sub>-0,11</sub>

Plug connector:

No. of pos.	A -0,76	B+0,25	C	D -0,30
15	31,19	16,79	25,00 <sup>+0,12</sup> <sub>-0,13</sub>	6,12
26	39,52	25,12	33,30 <sup>+0,15</sup> <sub>-0,10</sub>	6,12
44	53,42	38,84	47,04 <sup>±0,13</sup>	5,99
62	69,70	55,30	63,50 <sup>±0,13</sup>	5,99
78	67,31	52,68	61,10 <sup>+0,14</sup> <sub>-0,11</sub>	5,99