

Technical Data For D-Sub Connectors

Technical Data	D-Subminiature Standard 9, 15, 25, 37 and 50 position	D-Subminiature High Density 15, 25, 44, 62 and 78 position
Insulators	Polyester GF UL 94 V-0	
Contacts	Copper alloy	
Contact finish	hard-gold-plated over nickel	
Shell	tin plated or yellow chromate	
Test voltage V.r.m.s./NM	1000 V	
Working voltage	125 V ≈	60 V ≈
	depending on isolation coordination (refer to DIN VDE 0110 / IEC 664-1)	
Current Rating	7.5 A UL 5 A CSA 5 A VDE	3.0 A UL 2.5 A CSA 3 A VDE
Contact resistance	max. 10 mΩ initially, ΔR max. 10 mΩ after load in accordance DIN 41652, Part 2	
Insulation resistance	≥ 5 GΩ	
Clearance and creepage distance	contact - contact 1.0 mm contact - ground 1.2 mm	≥0.6 mm
Operating temperature	- 55 °C to + 125 °C	
Mating/Unmating forces	9-pol. ≤ 30 N 15-pol. ≤ 50 N 25-pol. ≤ 83 N 37-pol. ≤ 123 N 50-pol. ≤ 167 N	15-pol. ≤ 50 N 26-pol. ≤ 84 N 44-pol. ≤ 120 N 62-pol. ≤ 170 N 78-pol. ≤ 200 N
Quality class	A = Quality class 3 = 50 mating cycles B = Quality class 2 = 200 mating cycles C = Quality class 1 = 500 mating cycles J = Quality class 1 ≥ 500 mating cycles (telecom quality)	

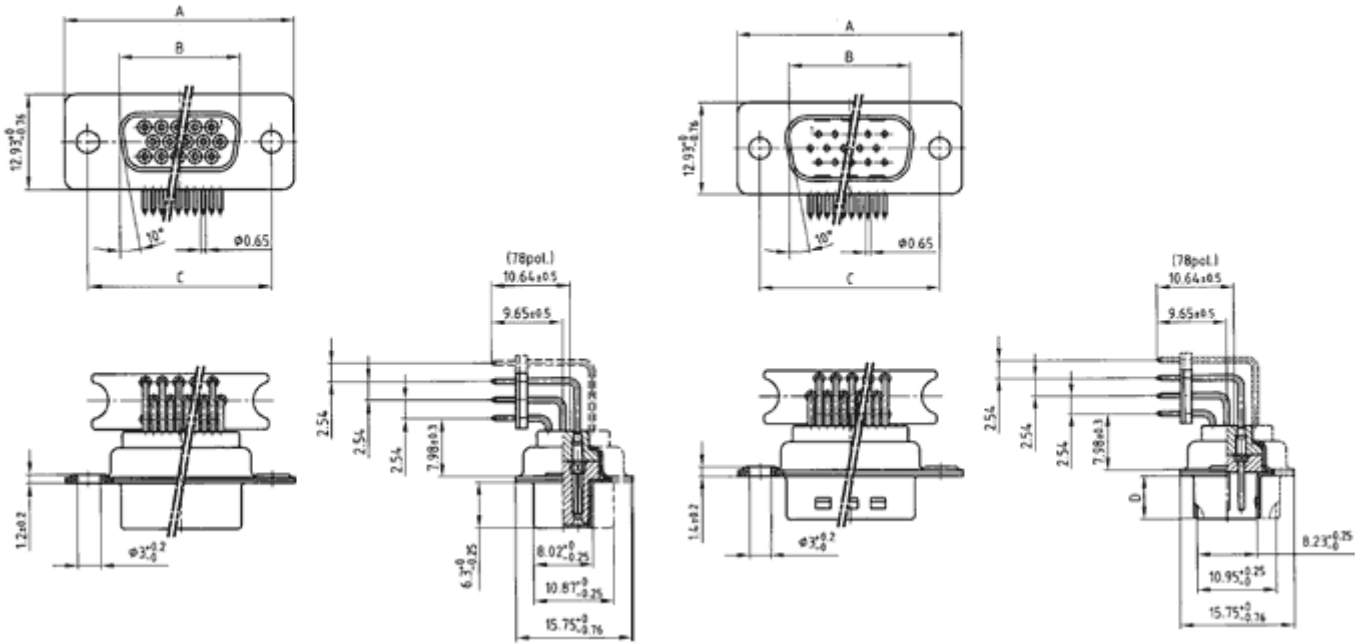


D-Sub Connector
 High Density
 Solder pin angled .350"
 with through hole

Directive 2002/95/EC
 "RoHS"
 Compliant

Socket connector

Plug connector



Socket connector:

No. of pos.	A -0,76	B-0,25	C
15	31,19	16,46	25,00 ^{+0,12} _{-0,13}
26	39,52	24,79	33,30 ^{+0,15} _{-0,10}
44	53,42	38,50	47,04 ^{±0,13}
62	69,70	54,96	63,50 ^{±0,13}
78	67,31	52,55	61,10 ^{+0,14} _{-0,11}

Plug connector:

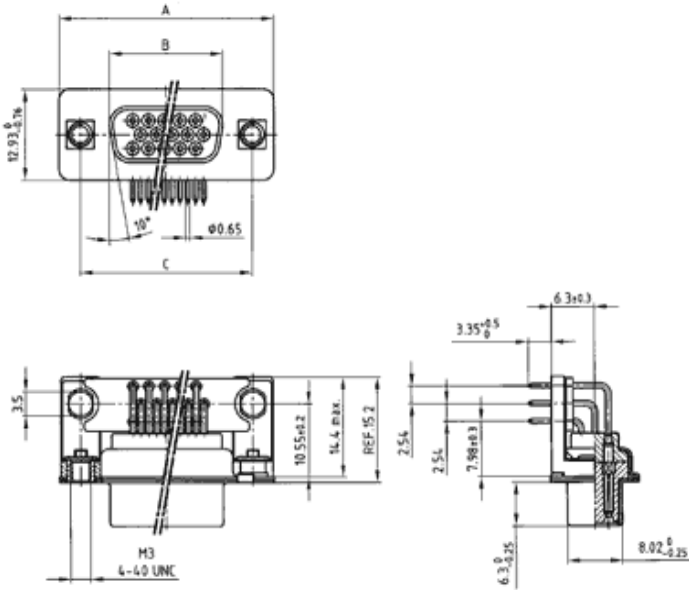
No. of pos.	A -0,76	B+0,25	C	D -0,30
15	31,19	16,79	25,00 ^{+0,12} _{-0,13}	6,12
26	39,52	25,12	33,30 ^{+0,15} _{-0,10}	6,12
44	53,42	38,84	47,04 ^{+0,13}	5,99
62	69,70	55,30	63,50 ^{+0,13}	5,99
78	67,31	52,68	61,10 ^{+0,14} _{-0,11}	5,99



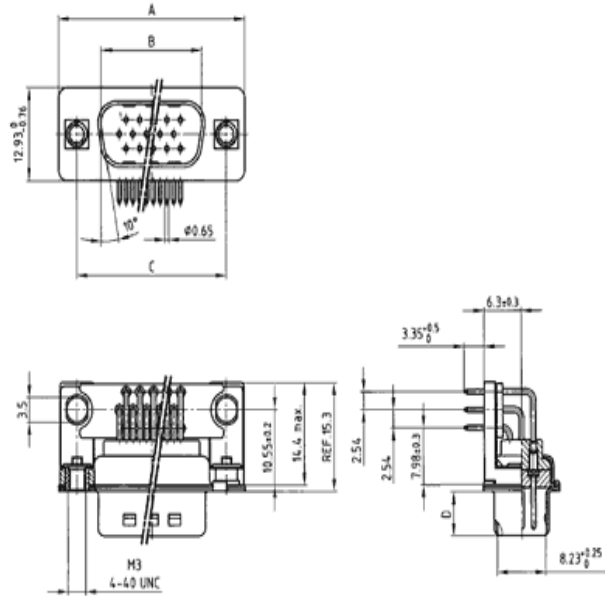
D-Sub Connector
 High Density
 Solder pin angled .350"
 with mounting-,
 grounding bracket
 and threaded insert

Directive 2002/95/EC
 „RoHS“
 Compliant

Socket connector



Plug connector



Socket connector:

No. of pos.	A -0,76	B-0,25	C
15	31,19	16,46	25,00 ^{+0,12} _{-0,13}
26	39,52	24,79	33,30 ^{+0,15} _{-0,10}
44	53,42	38,50	47,04 ^{+0,13}
62	69,70	54,96	63,50 ^{+0,13}
78	67,31	52,55	61,10 ^{+0,14} _{-0,11}

Plug connector:

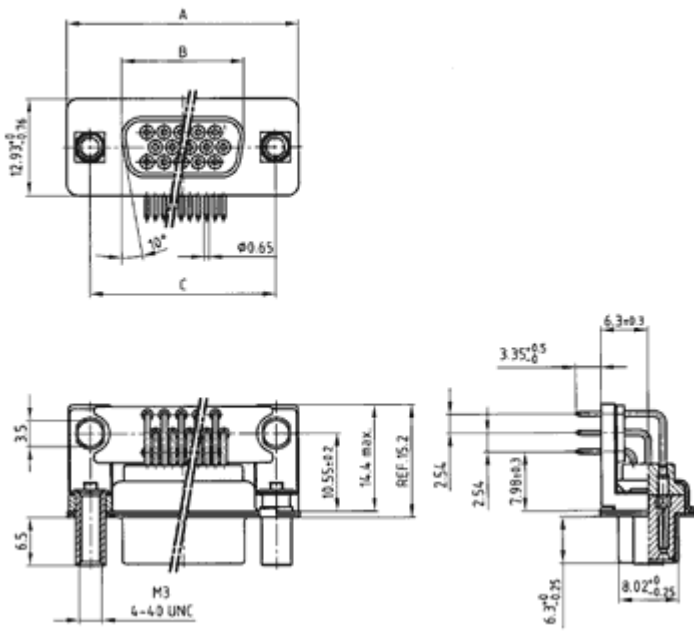
No. of pos.	A -0,76	B+0,25	C	D -0,30
15	31,19	16,79	25,00 ^{+0,12} _{-0,13}	6,12
26	39,52	25,12	33,30 ^{+0,15} _{-0,10}	6,12
44	53,42	38,84	47,04 ^{+0,13}	5,99
62	69,70	55,30	63,50 ^{+0,13}	5,99
78	67,31	52,68	61,10 ^{+0,14} _{-0,11}	5,99



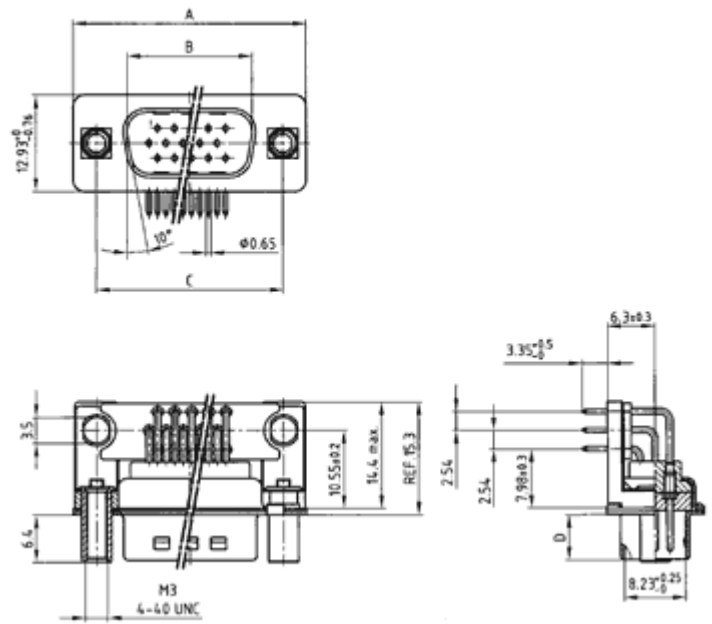
D-Sub Connector
 High Density
 Solder pin angled .350"
 with mounting-,
 grounding bracket
 and threaded lock

Directive 2002/95/EC
 „RoHS“
 Compliant

Socket connector



Plug connector



Socket connector:

No. of pos.	A -0,76	B-0,25	C
15	31,19	16,46	25,00 ^{+0,12} _{-0,13}
26	39,52	24,79	33,30 ^{+0,15} _{-0,10}
44	53,42	38,50	47,04 ^{±0,13}
62	69,70	54,96	63,50 ^{±0,13}
78	67,31	52,55	61,10 ^{+0,14} _{-0,11}

Plug connector:

No. of pos.	A -0,76	B+0,25	C	D -0,30
15	31,19	16,79	25,00 ^{+0,12} _{-0,13}	6,12
26	39,52	25,12	33,30 ^{+0,15} _{-0,10}	6,12
44	53,42	38,84	47,04 ^{+0,13}	5,99
62	69,70	55,30	63,50 ^{+0,13}	5,99
78	67,31	52,68	61,10 ^{+0,14} _{-0,11}	5,99

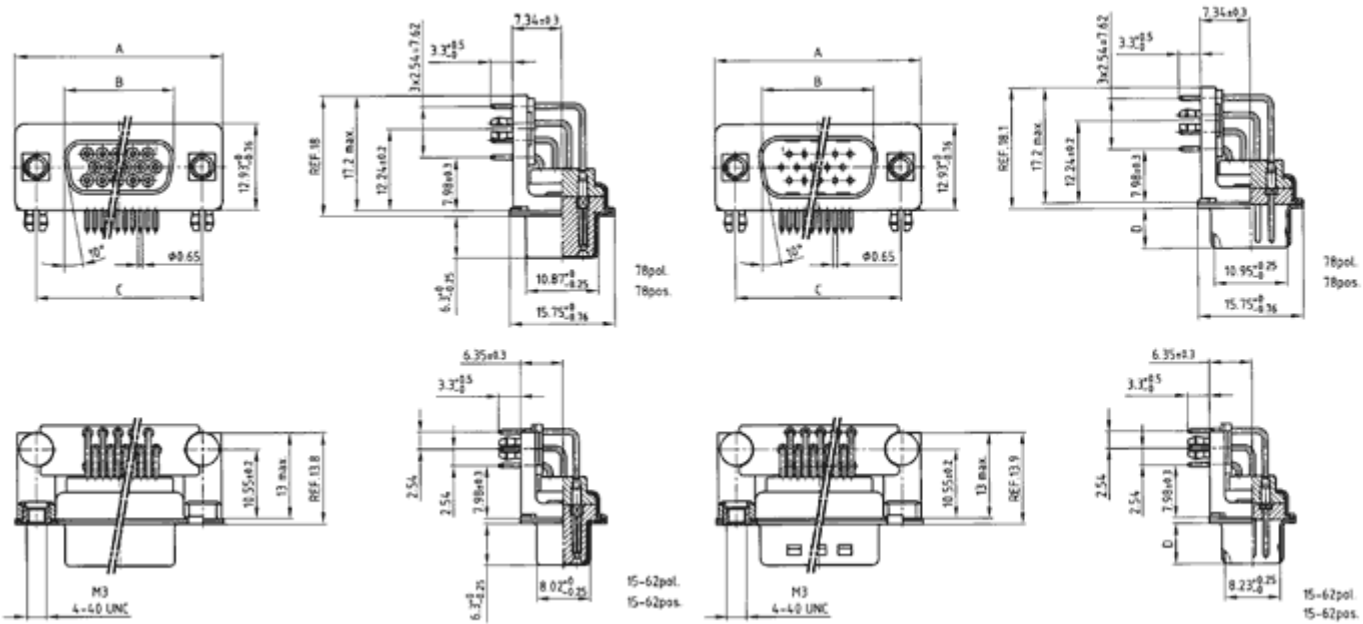


D-Sub Connector
 High Density
 Solder pin angled .350"
 with metal bracket
 threaded insert and clip

Directive 2002/95/EC
 „RoHS“
 Compliant

Socket connector

Plug connector



Socket connector:

No. of pos.	A -0,76	B-0,25	C
15	31,19	16,46	25,00 ^{+0,12} _{-0,13}
26	39,52	24,79	33,30 ^{+0,15} _{-0,10}
44	53,42	38,50	47,04 ^{±0,13}
62	69,70	54,96	63,50 ^{±0,13}
78	67,31	52,55	61,10 ^{+0,14} _{-0,11}

Plug connector:

No. of pos.	A -0,76	B+0,25	C	D -0,30
15	31,19	16,79	25,00 ^{+0,12} _{-0,13}	6,12
26	39,52	25,12	33,30 ^{+0,15} _{-0,10}	6,12
44	53,42	38,84	47,04 ^{+0,13}	5,99
62	69,70	55,30	63,50 ^{+0,13}	5,99
78	67,31	52,68	61,10 ^{+0,14} _{-0,11}	5,99

Plug connector:

No. of pos.	A -0,76	B+0,25	C	D -0,30
15	31,19	16,79	25,00 ^{+0,12} _{-0,13}	6,12
26	39,52	25,12	33,30 ^{+0,15} _{-0,10}	6,12
44	53,42	38,84	47,04 ^{±0,13}	5,99
62	69,70	55,30	63,50 ^{±0,13}	5,99
78	67,31	52,68	61,10 ^{+0,14} _{-0,11}	5,99

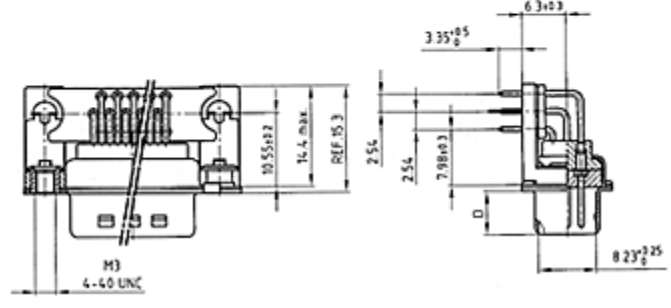
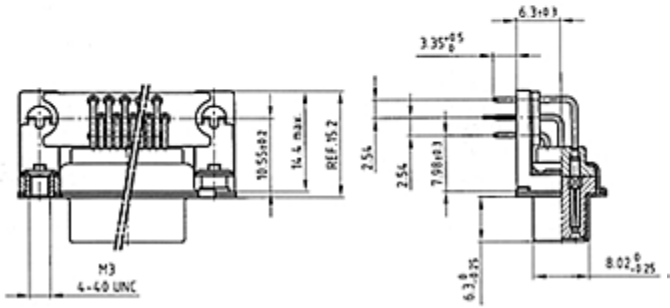
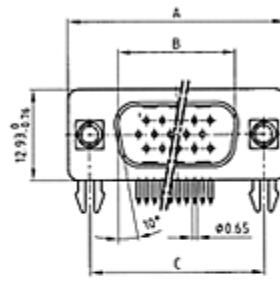
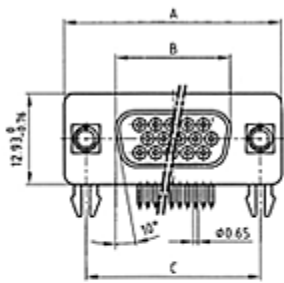


D-Sub Connector
 High Density
 Solder pin angled .350"
 with mounting bracket
 threaded insert and grounding clip

Directive 2002/95/EC
 „RoHS“
 Compliant

Socket connector

Plug connector



Socket Connector

No. of pos.	A - 0,76	B - 0,25	C
15	31,19	16,46	25,00 ^{+0,12} - 0,13
26	39,52	24,79	33,30 ^{+0,15} - 0,10
44	53,42	38,50	47,04 ^{±0,13}
62	69,70	54,96	63,50 ^{±0,13}

Plug Connector

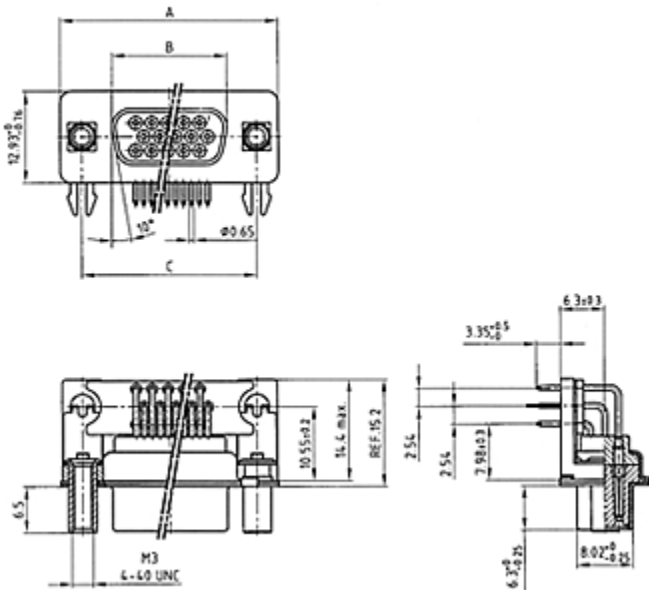
No. of pos.	A ^{-0,76}	B ^{+0,25}	C	D ^{-0,30}
15	31,19	16,79	25,00 ^{+0,12 - 0,13}	6,12
26	39,52	25,12	33,30 ^{+0,15 - 0,10}	6,12
44	53,42	38,84	47,04 ^{±0,13}	5,99
62	69,70	55,30	63,50 ^{±0,13}	5,99



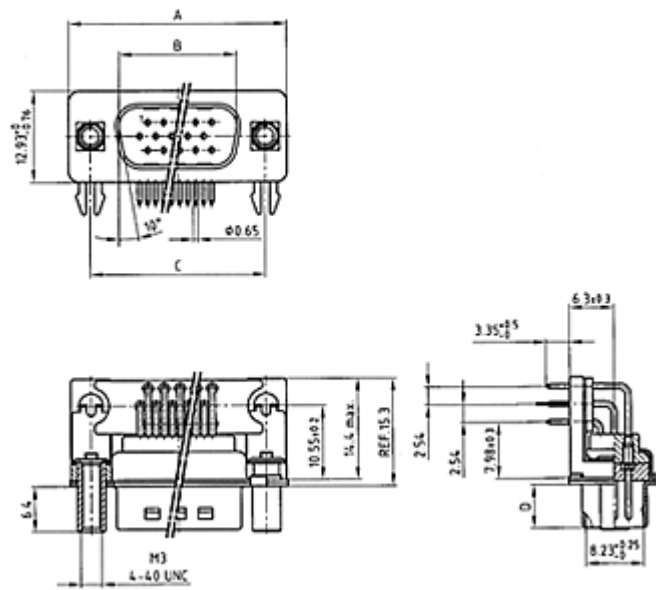
D-Sub Connector
 High Density
 Solder pin angled .350"
 with mounting bracket
 threaded lock and grounding clip

Directive 2002/95/EC
 „RoHS“
 Compliant

Socket connector



Plug connector

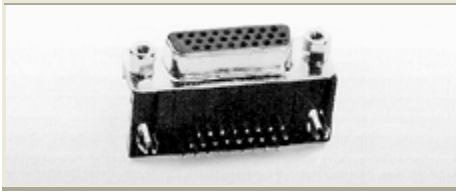


Socket Connector

No. of pos.	A - 0,76	B - 0,25	C
15	31,19	16,46	25,00 + 0,12 - 0,13
26	39,52	24,79	33,30 + 0,15 - 0,10
44	53,42	38,50	47,04 ± 0,13
62	69,70	54,96	63,50 ± 0,13

Plug Connector

No. of pos.	A ^{-0,76}	B ^{+0,25}	C	D ^{-0,30}
15	31,19	16,79	25,00 ^{+0,12 - 0,13}	6,12
26	39,52	25,12	33,30 ^{+0,15 - 0,10}	6,12
44	53,42	38,84	47,04 ^{±0,13}	5,99
62	69,70	55,30	63,50 ^{±0,13}	5,99

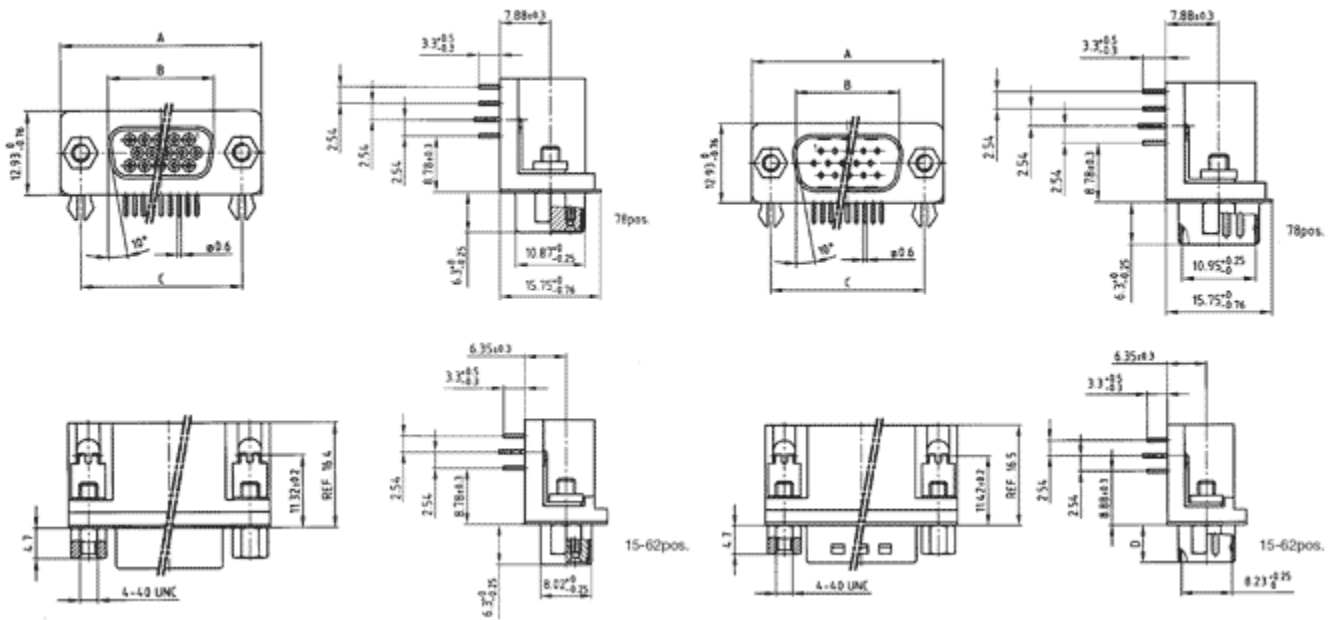


D-Sub Connector
 High Density
 Solder pin angled .350"
 stamped contacts
 with threaded lock and clip

Directive 2002/95/EC
 „RoHS“
 Compliant

Socket connector

Plug connector



Socket connector:

No. of pos.	A -0,76	B-0,25	C
15	31,19	16,46	25,00 ^{+0,12} _{-0,13}
26	39,52	24,79	33,30 ^{+0,15} _{-0,10}
44	53,42	38,50	47,04 ^{±0,13}
62	69,70	54,96	63,50 ^{±0,13}
78	67,31	52,55	61,10 ^{+0,14} _{-0,11}

Plug connector:

No. of pos.	A -0,76	B+0,25	C	D -0,30
15	31,19	16,79	25,00 ^{+0,12} _{-0,13}	6,12
26	39,52	25,12	33,30 ^{+0,15} _{-0,10}	6,12
44	53,42	38,84	47,04 ^{±0,13}	5,99
62	69,70	55,30	63,50 ^{±0,13}	5,99
78	67,31	52,68	61,10 ^{+0,14} _{-0,11}	5,99