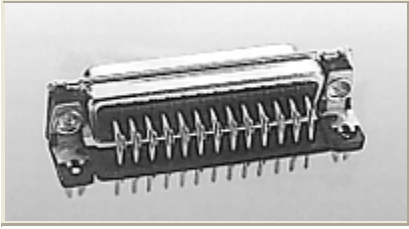


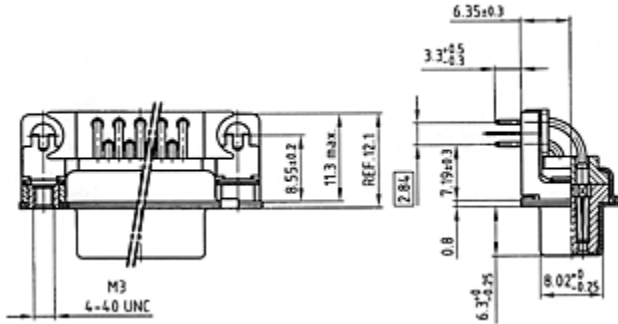
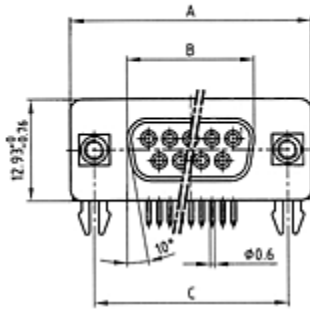
Technical Data For D-Sub Connectors

Technical Data	D-Subminiature Standard 9, 15, 25, 37 and 50 position	D-Subminiature High Density 15, 25, 44, 62 and 78 position
Insulators	Polyester GF UL 94 V-0	
Contacts	Copper alloy	
Contact finish	hard-gold-plated over nickel	
Shell	tin plated or yellow chromate	
Test voltage V.r.m.s./NM	1000 V	
Working voltage	125 V ≈	60 V ≈
	depending on isolation coordination (refer to DIN VDE 0110 / IEC 664-1)	
Current Rating	7.5 A UL 5 A CSA 5 A VDE	3.0 A UL 2.5 A CSA 3 A VDE
Contact resistance	max. 10 mΩ initially, ΔR max. 10 mΩ after load in accordance DIN 41652, Part 2	
Insulation resistance	≥ 5 GΩ	
Clearance and creepage distance	contact - contact 1.0 mm contact - ground 1.2 mm	≥0.6 mm
Operating temperature	- 55 °C to + 125 °C	
Mating/Unmating forces	9-pol. ≤ 30 N 15-pol. ≤ 50 N 25-pol. ≤ 83 N 37-pol. ≤ 123 N 50-pol. ≤ 167 N	15-pol. ≤ 50 N 26-pol. ≤ 84 N 44-pol. ≤ 120 N 62-pol. ≤ 170 N 78-pol. ≤ 200 N
Quality class	A = Quality class 3 = 50 mating cycles B = Quality class 2 = 200 mating cycles C = Quality class 1 = 500 mating cycles J = Quality class 1 ≥ 500 mating cycles (telecom quality)	



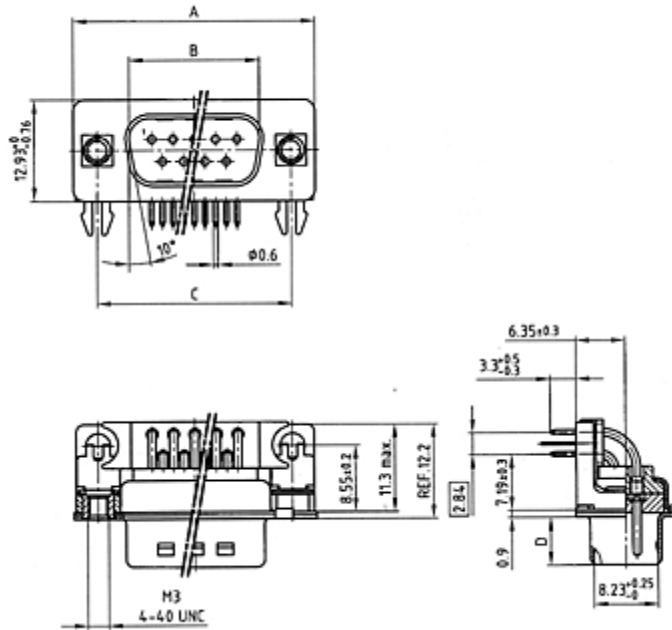
D-Sub Connector
Solder pin angled
.318"
with mounting bracket
threaded insert and
grounding clip

Socket connector



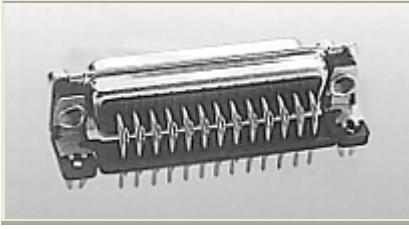
Directive 2002/95/EC
"RoHS"
Compliant

Plug connector



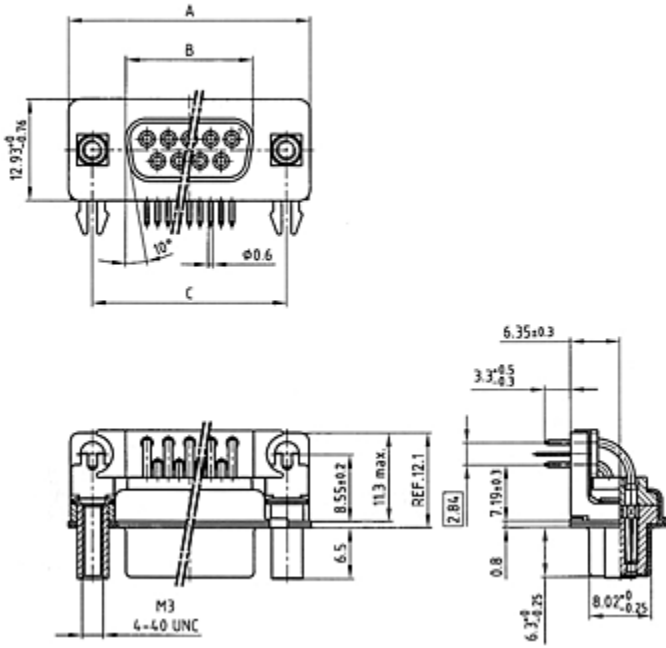
Recommended for maximum 2 mm PCB thickness. For thicker PCB applications contact us.

Socket Connector				
No. of pos.	A - 0,76	B - 0,25	C	
09	31,19	16,46	25,00 ^{+0,12 - 0,13}	
15	39,52	24,79	33,30 ^{+0,15 - 0,10}	
25	53,42	38,50	47,04 ^{±0,13}	
37	69,70	54,96	63,50 ^{±0,13}	
Plug Connector				
No. of pos.	A - 0,76	B + 0,25	C	D - 0,30
09	31,19	16,79	25,00 ^{+0,12 - 0,13}	6,12
15	39,52	25,12	33,30 ^{+0,15 - 0,10}	6,12
25	53,42	38,84	47,04 ^{±0,13}	5,99
37	69,70	55,30	63,50 ^{±0,13}	5,99



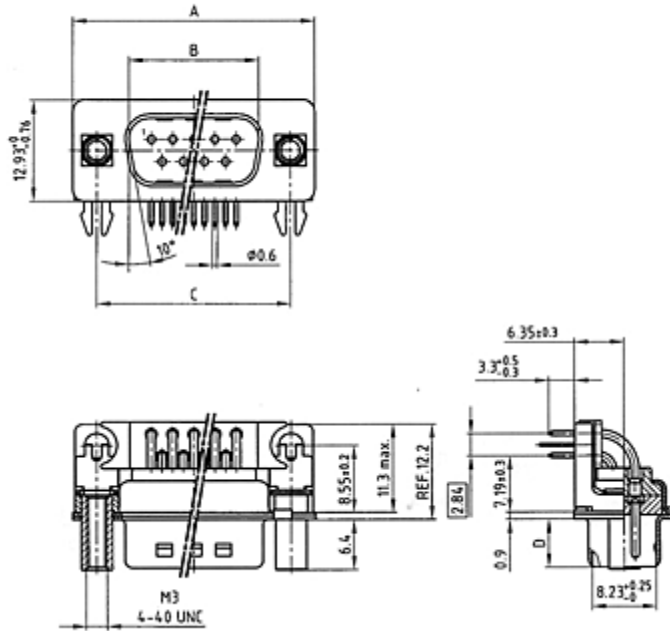
D-Sub Connector
Solder pin angled
.318"
with mounting bracket
threaded lock and
grounding clip

Socket connector



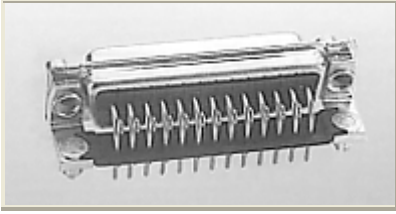
Directive 2002/95/EC
"RoHS"
Compliant

Plug connector

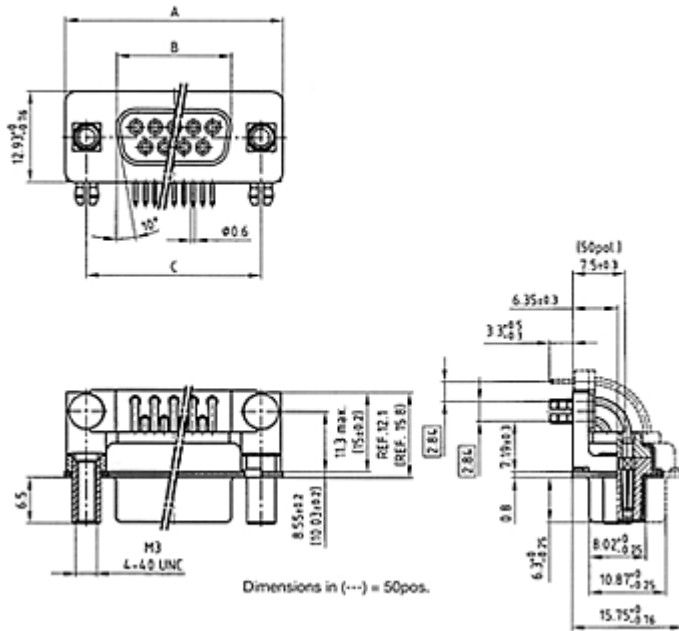


Recommended for maximum 2 mm PCB thickness. For thicker PCB applications contact us.

Socket Connector				
No. of pos.	A ^{-0,76}	B ^{-0,25}	C	
09	31,19	16,46	25,00 ^{+0,12 - 0,13}	
15	39,52	24,79	33,30 ^{+0,15 - 0,10}	
25	53,42	38,50	47,04 ^{±0,13}	
37	69,70	54,96	63,50 ^{±0,13}	
Plug Connector				
No. of pos.	A ^{-0,76}	B ^{+0,25}	C	D ^{-0,30}
09	31,19	16,79	25,00 ^{+0,12 - 0,13}	6,12
15	39,52	25,12	33,30 ^{+0,15 - 0,10}	6,12
25	53,42	38,84	47,04 ^{±0,13}	5,99
37	69,70	55,30	63,50 ^{±0,13}	5,99



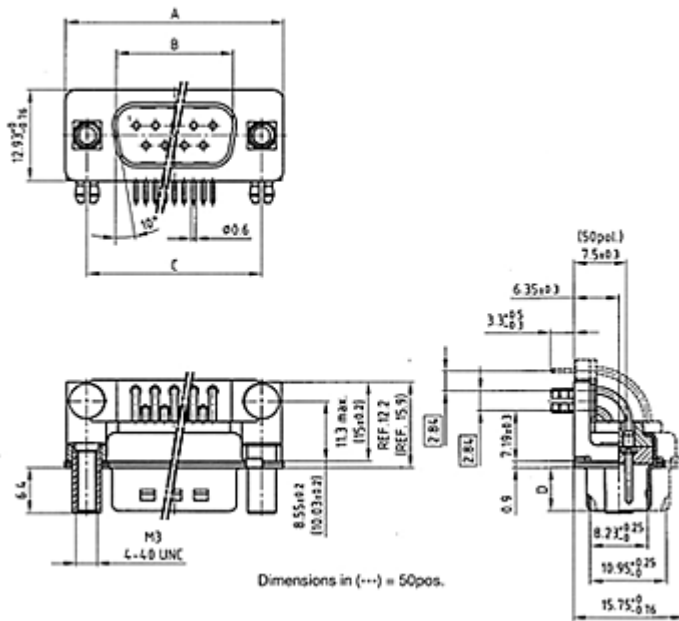
Socket connector



D-Sub Connector
Solder pin angled
.318"
with metal bracket
threaded lock and clip

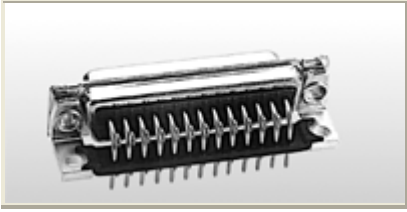
Directive 2002/95/EC
"RoHS"
Compliant

Plug connector



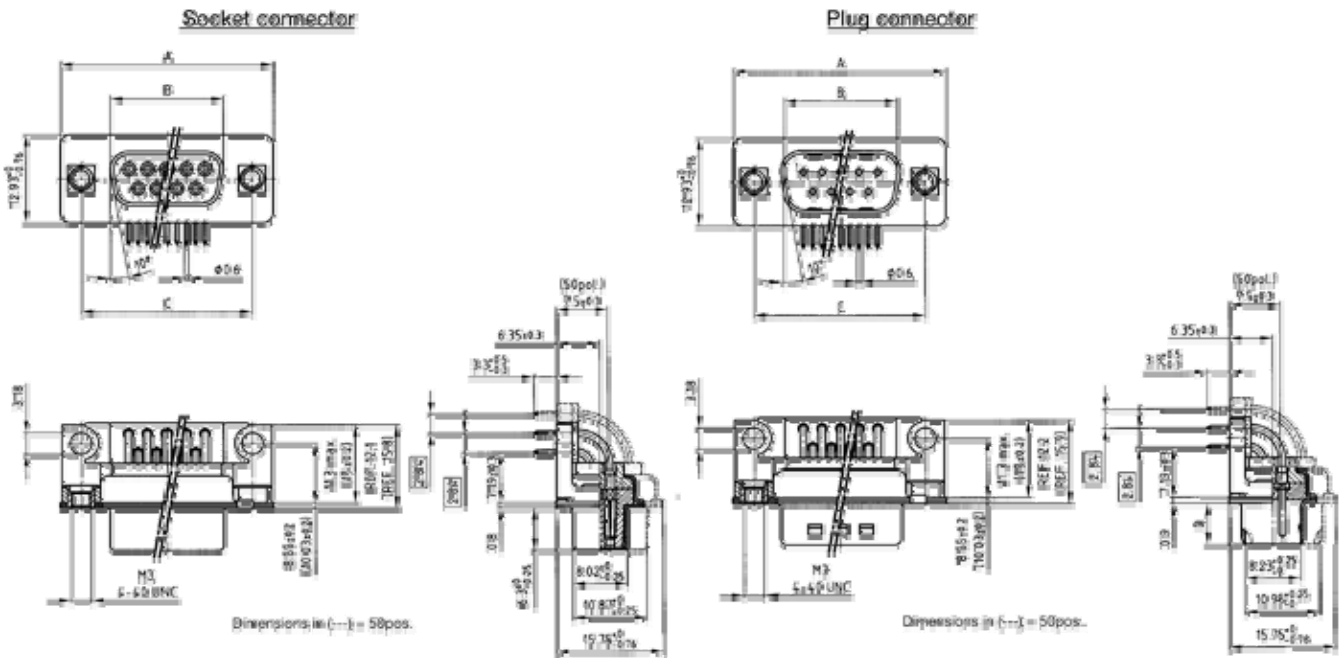
Recommended for maximum 2 mm PCB thickness. For thicker PCB applications contact us.

Socket Connector				
No. of pos.	A ^{-0,76}	B ^{-0,25}	C	
09	31,19	16,46	25,00 ^{+0,12 - 0,13}	
15	39,52	24,79	33,30 ^{+0,15 - 0,10}	
25	53,42	38,50	47,04 ^{±0,13}	
37	69,70	54,96	63,50 ^{±0,13}	
50	67,31	52,55	61,10 ^{+0,14 - 0,11}	
Plug Connector				
No. of pos.	A ^{-0,76}	B ^{+0,25}	C	D ^{-0,30}
09	31,19	16,79	25,00 ^{+0,12 - 0,13}	6,12
15	39,52	25,12	33,30 ^{+0,15 - 0,10}	6,12
25	53,42	38,84	47,04 ^{±0,13}	5,99
37	69,70	55,30	63,50 ^{±0,13}	5,99
50	67,31	52,68	61,10 ^{+0,14 - 0,11}	5,99



D-Sub Connector
Solder Pin Angled .318"
With Metal Bracket
and threaded insert

Directive 2002/95/EC
"RoHS"
Compliant



Recommended for maximum 2 mm PCB thickness. For thicker PCB applications contact us,

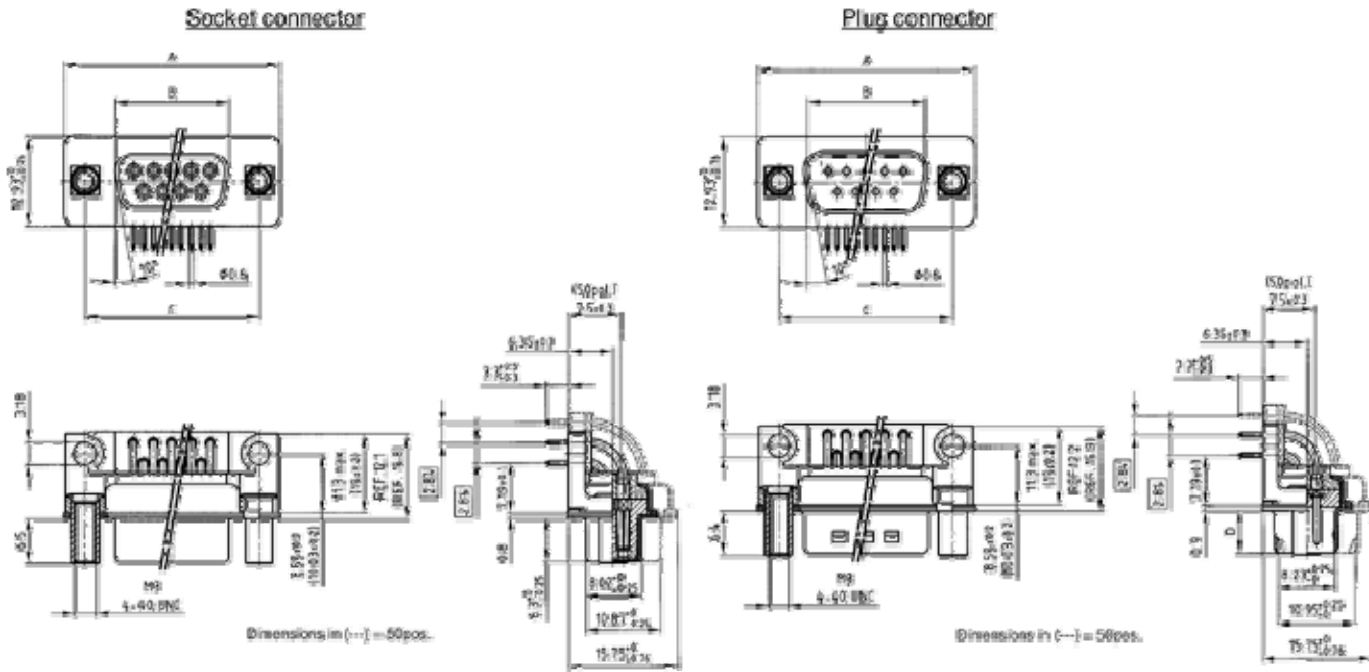
Dimension for Socket Connectors			
No. of Pos.	A ^{-0.75}	B ^{-0.25}	C
9	31.19	16.46	25.00 ^{+0.12} _{-0.13}
15	39.52	24.79	33.30 ^{+0.15} _{-0.10}
25	53.42	38.50	47.04 ^{+0.13}
37	63.5	54.96	63.50 ^{+0.13}
50	67.31	52.55	61.10 ^{+0.14} _{-0.11}

Dimension for Plug Connectors			
No. of Pos.	A ^{-0.75}	B ^{+0.25}	C
9	31.19	16.79	25.00 ^{+0.12} _{-0.13}
15	39.52	25.12	33.30 ^{+0.15} _{-0.10}
25	53.42	38.84	47.04 ^{+0.13}
37	69.70	55.30	63.50 ^{+0.13}
50	67.31	52.68	61.10 ^{+0.14} _{-0.11}



D-Sub Connector
Solder Pin Angled .318"
With Metal Bracket
and Threaded Lock

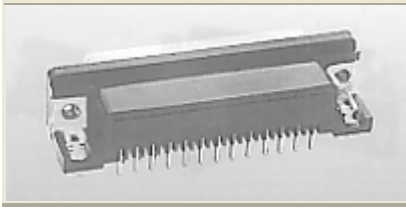
Directive 2002/95/EC
„RoHS“
Compliant



Recommended for maximum 2 mm PCB thickness. For thicker PCB applications contact factory.

Dimension for Socket Connectors			
No. of Pos.	A _{-0.75}	B _{-0.25}	C
9	31.19	16.46	25.00 ^{+0,12} _{-0,13}
15	39.52	24.79	33.30 ^{+0,15} _{-0,10}
25	53.42	38.50	47.04 ^{±0,13}
37	63.5	54.96	63.50 ^{±0,13}
50	67.31	52.55	61.10 ^{+0,14} _{-0,11}

Dimension for Plug Connectors			
No. of Pos.	A _{-0.75}	B ^{+0.25}	C
9	31.19	16.79	25.00 ^{+0,12} _{-0,13}
15	39.52	25.12	33.30 ^{+0,15} _{-0,10}
25	53.42	38.84	47.04 ^{±0,13}
37	69.70	55.30	63.50 ^{±0,13}
50	67.31	52.68	61.10 ^{+0,14} _{-0,11}

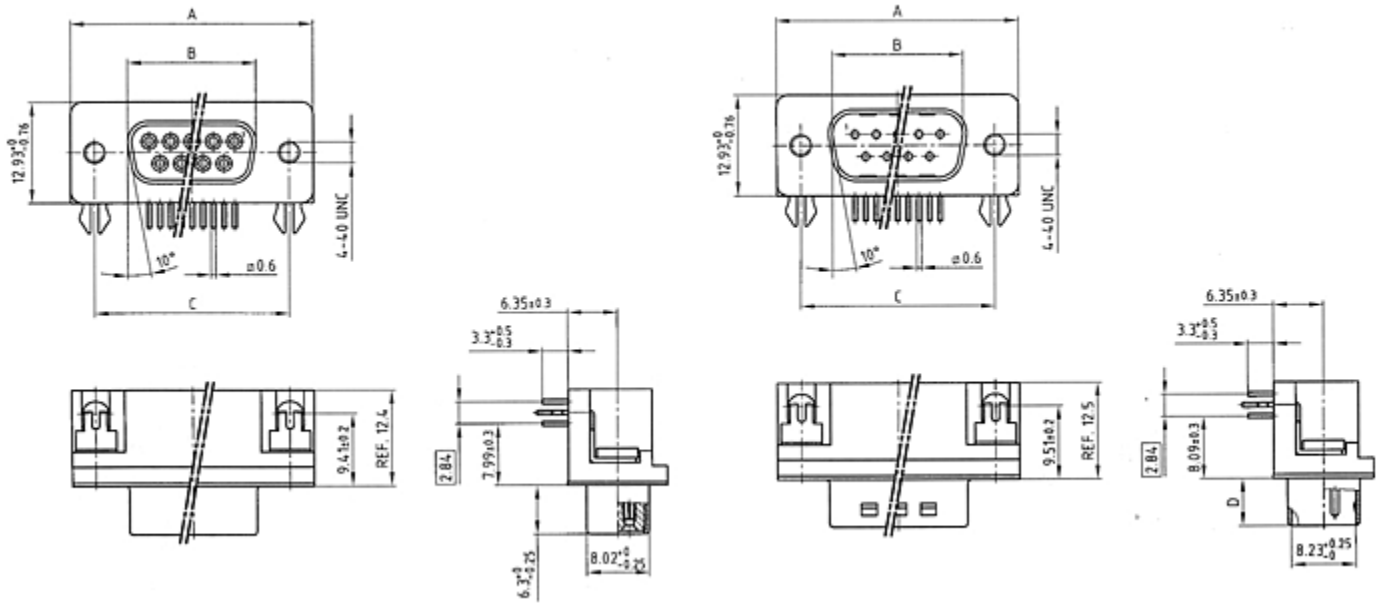


D-Sub Connector
 Solder pin angled .318"
stamped contacts
 with threaded insert and clip

Directive 2002/95/EC
 „RoHS“
 Compliant

Socket connector

Plug connector

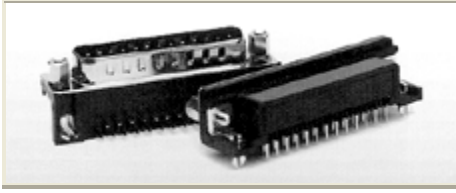


Socket Connector

No. of pos.	A - 0,76	B - 0,25	C
09	31,19	16,46	25,00 + 0,12 - 0,13
15	39,52	24,79	33,30 + 0,15 - 0,10
25	53,42	38,50	47,04 ± 0,13
37	69,70	54,96	63,50 ± 0,13

Plug Connector

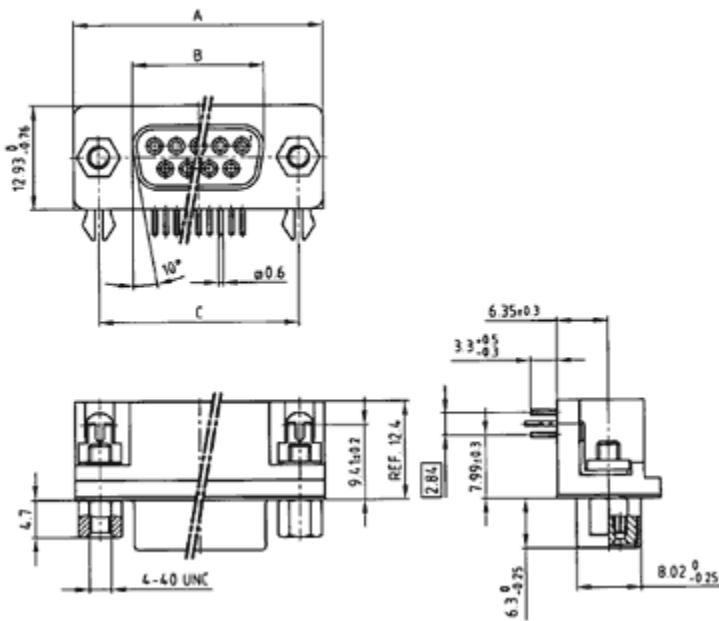
No. of pos.	A ^{-0,76}	B ^{+0,25}	C	D ^{-0,30}
09	31,19	16,79	25,00 ^{+0,12 - 0,13}	6,12
15	39,52	25,12	33,30 ^{+0,15 - 0,10}	6,12
25	53,42	38,84	47,04 ^{±0,13}	5,99
37	69,70	55,30	63,50 ^{±0,13}	5,99



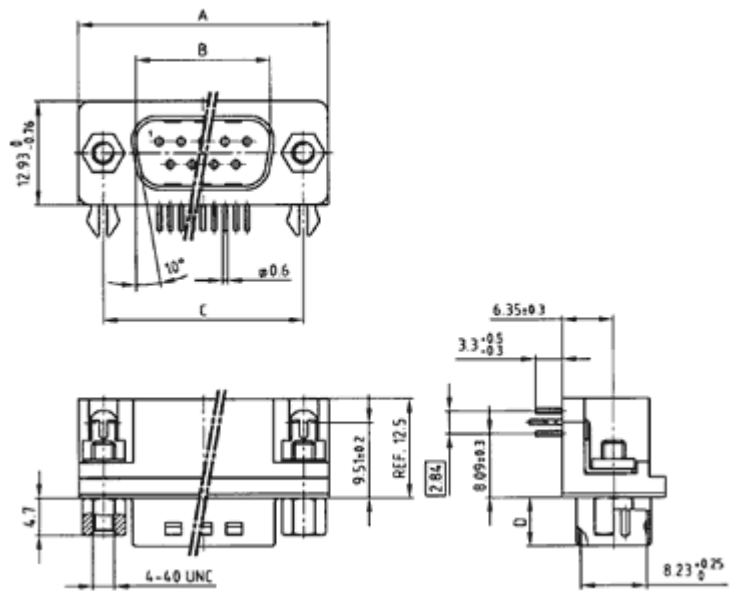
D-Sub Connector
Solder pin angled .318"
stamped contacts
with threaded lock and clip

Directive 2002/95/EC
"RoHS"
Compliant

Socket connector



Plug connector



Dimension for Socket Connectors

No. of Pos.	A _{-0.75}	B _{-0.25}	C
9	31.19	16.46	25.00 ^{+0.12} _{-0.13}
15	39.52	24.79	33.30 ^{+0.15} _{-0.10}
25	53.42	38.50	47.04 ^{±0.13}
37	69.70	54.96	63.50 ^{±0.13}

Dimension for Plug Connectors

No. of Pos.	A _{-0.75}	B ^{+0.25}	C	D _{-0.30}
9	31.19	16.79	25.00 ^{+0.12} _{-0.13}	6.12
15	39.52	25.12	33.30 ^{+0.15} _{-0.10}	6.12
25	53.42	38.84	47.04 ^{±0.13}	5.99
37	69.70	55.30	63.50 ^{±0.13}	5.99