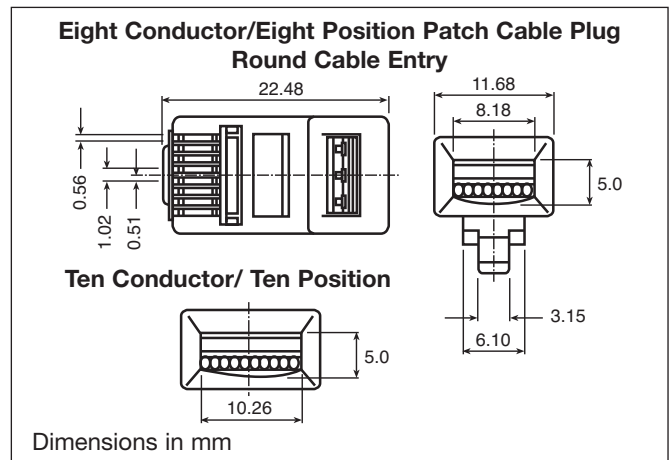
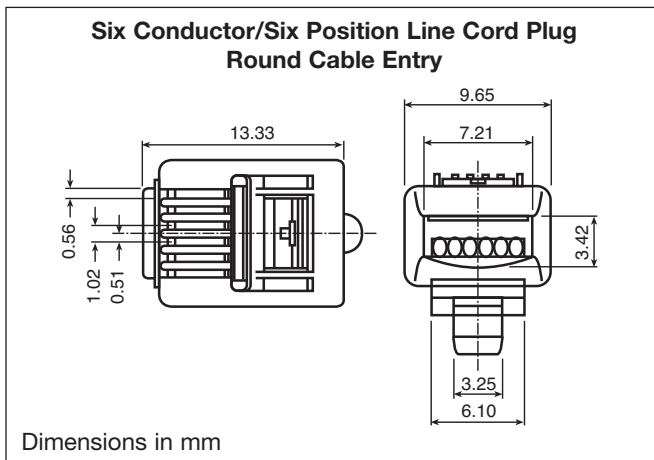
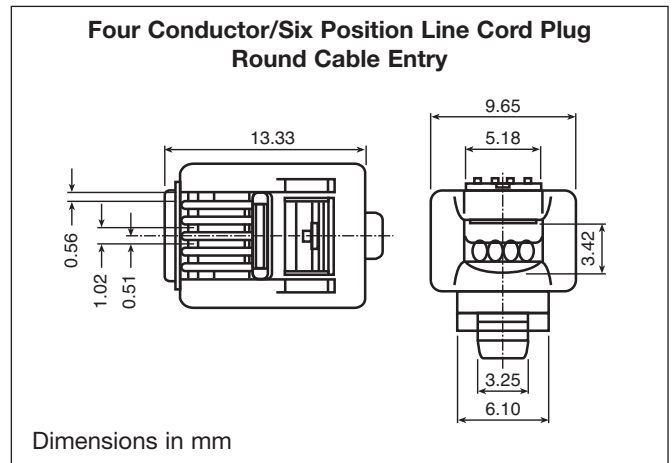
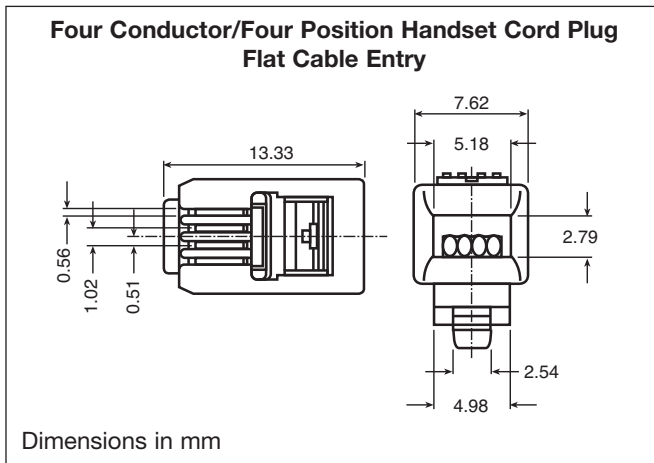
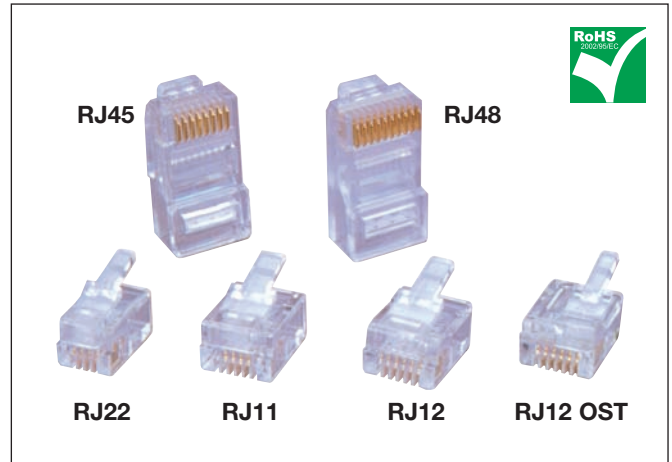


Features:

- UL94V-0 polycarbonate body
- True knife blade, insulating piercing contacts
- Compatible with standard crimping tools
- Compatible with all FCC specifications
- 50µ" gold plated contacts as standard.
Other platings on request. (6, 15 & 30µ")



Ordering information:

Size:	P/N - BULK:	Product Code:
8P8C	6510-0104-01	MHRJ45-8P8CR
4P4C	6510-0104-02	MHRJ22-4P4CR
6P4C	6510-0104-03	MHRJ11-6P4CR
6P6C	6510-0104-04	MHRJ12-6P6CR
10P10C	6510-0104-05	MHRJ48-10P10CR