



---

# Cable Connector Housings

for D-Subminiature connectors, Series TMC



## Table Of Contents

Housing versions KSG 200, KSG 185 and KSG 183, General and Main Features	2
Cable Connector Housing Series KSG 200	3
Individual parts of cable connectors housing Series KSG 200	5
Kits of cable connector housing Series KSG 200	6
Structure of KSG 200 with construction details for shielding and ESD protection	7
Shield attenuation diagram, measured using wire injection method	7
Cable Connector Housing Series KSG 185	8
Dimensions of cable connector housing Series KSG 185	8
Table of dimensions cable connector housing Series KSG 185	9
Individual parts cable connector housing Series KSG 185	10
Kits of cable connector housing Series KSG 185	11
Kits of locking bolts and #4/40 for cable connector housing Series KSG 185	11
Parts for coding cable connector housing Series KSG 185	11
Separate accessories for Cable connector housing Series KSG 185	12
Cable Connector Housing Series 183	13
Dimensions of cable connector housing Series KSG 183	13
Table of dimensions cable connector housing Series KSG 183P	14
Individual parts cable connector housing Series KSG 183P	15
Kits of cable connector housing Series KSG 183	15
Separate accessories for cable connector housing Series KSG 183	16

## Cable Connector Housings

For D-Subminiature Connectors Series TMC

Housing versions KSG 200, KSG 185 and KSG 183



### General

ERNI offers three different versions of connector housing for Series TMC connectors acc. To DIN 41 652 and MIL C-24308.

- **KSG 200 Fully insulated housing with integrated shielding plates**
- **KSG 185 Housing with snap-in latches and/or screw locking, integrated coding**
- **KSG 183 Housing with snap-in latches**

All three versions of housing are of two-shell design which allows the wiring of the female or male connectors prior to housing assembly. All three housing versions can easily be disassembled.

With the KSG 185 (cable connector housing Series KSG 185) it is possible to lock the two shell halves with snap-in latches. There is also a screw for vibration-proof applications. The connector shell halves of Series KSG 183 are screwed together after wiring.

For applications with screw locking the KSG 185 offers locking parts for thread types M3 and #4/40 NC-2 A.

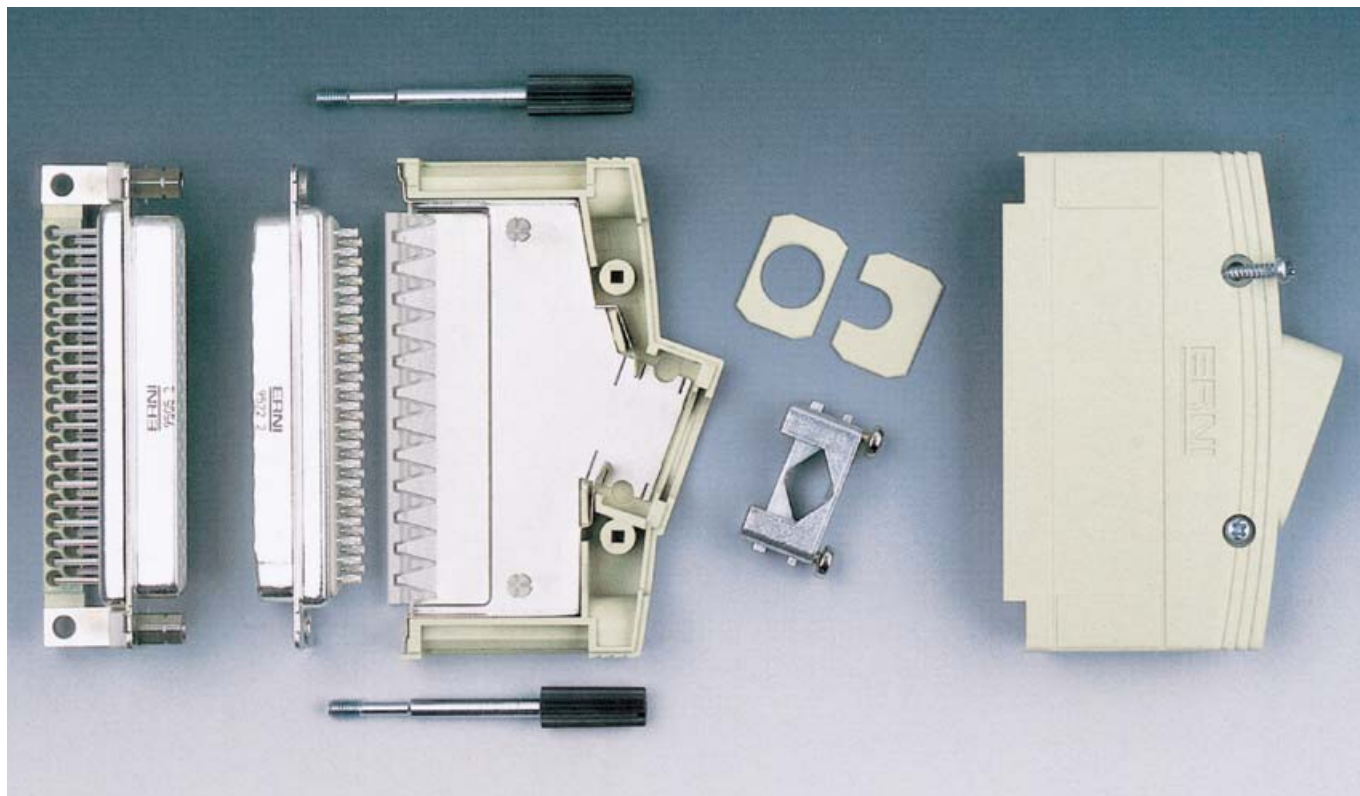
### Main features

- Fully insulated housing
- Two-shell design to facilitate assembly
- Various types of locking such as snap-in, slide and screw locking
- Reliable strain relief with strain relief clamp
- Cable entry:
  - KSG 200 one 15° entry
  - KSG 185 sizes 9 and 15, one 75° entry sizes 25, 37 and 50 two 75° entries
  - KSG 183 size 9, one 90° entry-sizes 15, 25, 37 and 50, three 30° and 90° entries
- Cable sleeves and blind plugs included
- All parts needed to mount the housing are supplied
- KSG 200 with optimal ESD-protection and high EMI/RFI shielding
- KSG 200 with integrated shielding plates
- KSG 185 with integrated coding
- KSG 185 available in metallized version as well

## Cable Connector Housing Series KSG 200

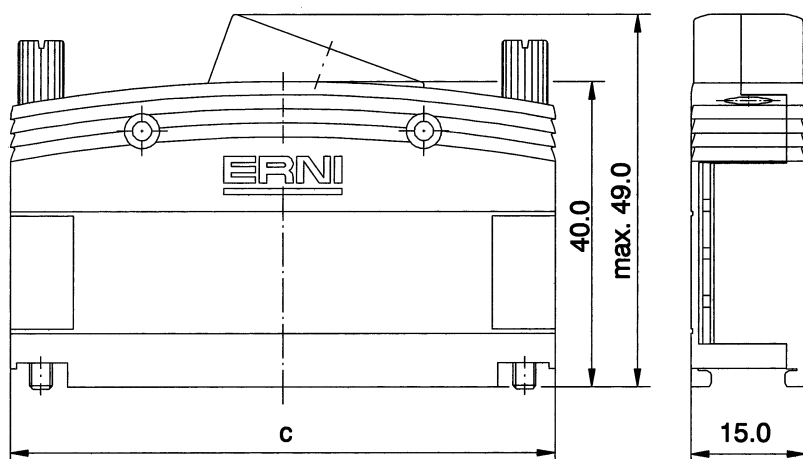
Fully insulated housing with integrated shielding plates

The illustration below shows a 37 pin housing



### Dimensions of cable connector housing Series KSG 200

The illustration below shows a 37 pin housing



Number of Pins	c	Cable diameter
9	33.0	4-8.5
15	41.3	4-11
25	55.0	4-11
37	71.5	4-11
50	-	-

## Series KSG 200



### Design of strain relief elements

The strain relief elements consist of two die-cast zinc components.

Contact with the braided shield is accomplished by the clamps, as the screws are tightened.



### Design of interface between shielding and D-Sub

The lamellar indents of the shielding plates will guide the ground connections from the cable shield via the strain relief clamp to the D-Sub connector. These lamellar indents make contact along the entire length of the connector.



### Easy assembly

The KSG 200 consists of two half-shells which simply latch together. These latches can be opened again if the device needs to be serviced.

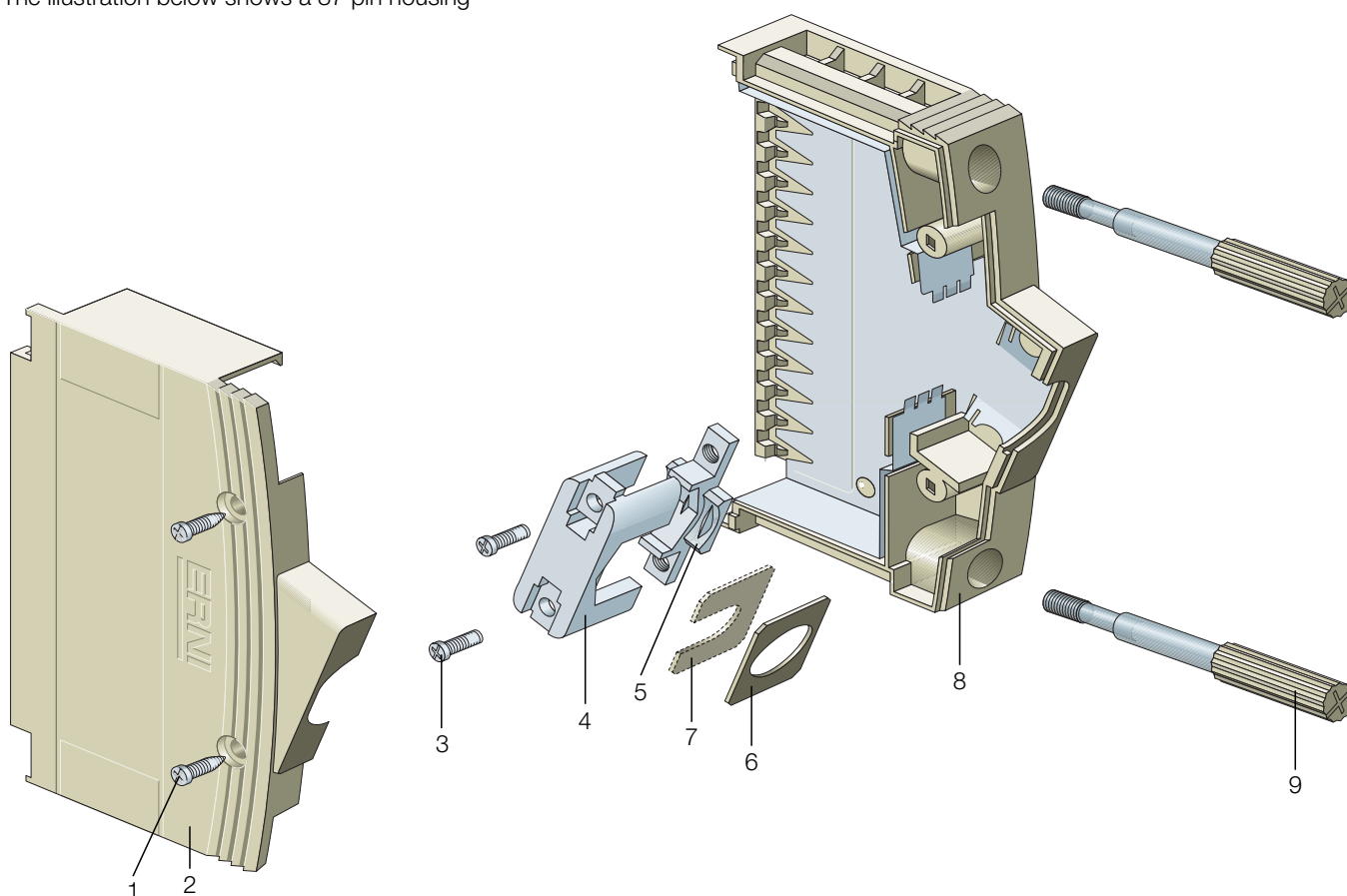
The two half-shells can also be screwed together.

## Series KSG 200

### Individual parts of cable connectors housing Series KSG 200

#### Housing with internal shielding plates

The illustration below shows a 37 pin housing



#### Individual parts

Item	Description	Material
1	Roundhead tapping screws B 2.2 x 9.5 DIN 7981	Galvanized steel
2	Connector housing upper part with riveted shielding plate	PC / German Silver
3	Flathead screws ISO 7405 M 2.5 x 10.0 – H	Galvanized steel
4	Terminal (upper Part)	Die-cast zinc
5	Terminal (lower Part)	Die-cast zinc
6	Cover plate ø 6.0 mm	PC
7	Cover plate ø 9.0 mm (only 25 and 37 pin)	PC
8	Connector housing lower part with riveted shielding plate	PC / German Silver
9	Knurled screws M3 or #4/40	Galvanized steel /PC



## Series KSG 200

### Kits of cable connector housing Series KSG 200

Cable connector housings of Series KSG 200 are supplied as kits or as spare parts. The internal shielding plates are permanently attached by rivets.

Standard packaging unit contains 1 pcs as kits.

Larger packaging units are also available on request (e.g. a complete package contains 250 pcs.)

### Ordering Information



**with riveted shielding plates incl. knurled screws M3**

Housing Size	Packaged as kits / Part Number
9	063385
15	063384
25	063383
37	063380
50	-

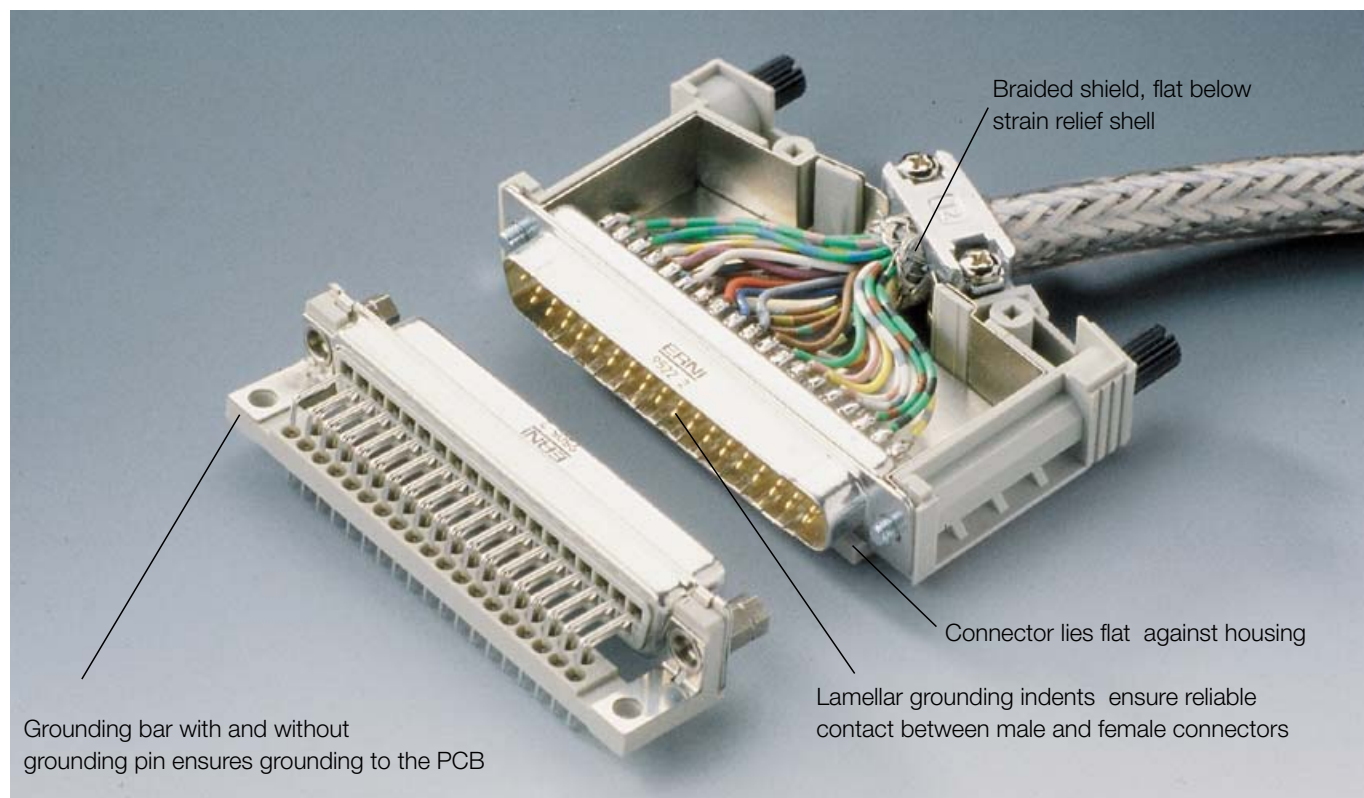


**with riveted shielding plates incl. knurled screws #4/40**

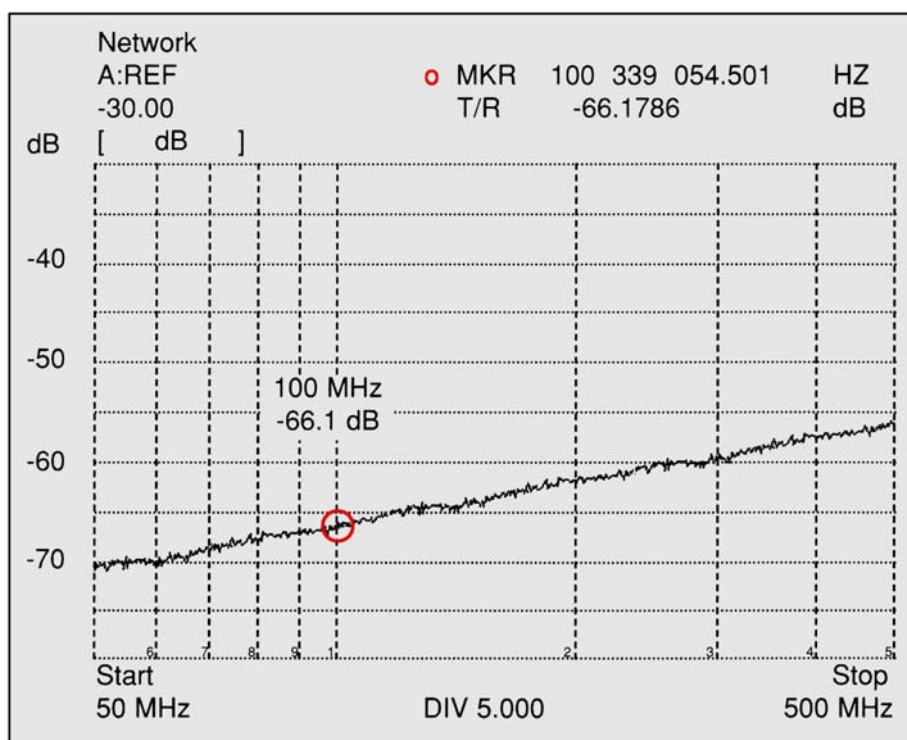
Housing Size	Packaged as kits / Part Number
9	063389
15	063388
25	063387
37	063386
50	-

## Series KSG 200

Structure of KSG 200 with construction details for shielding and ESD protection



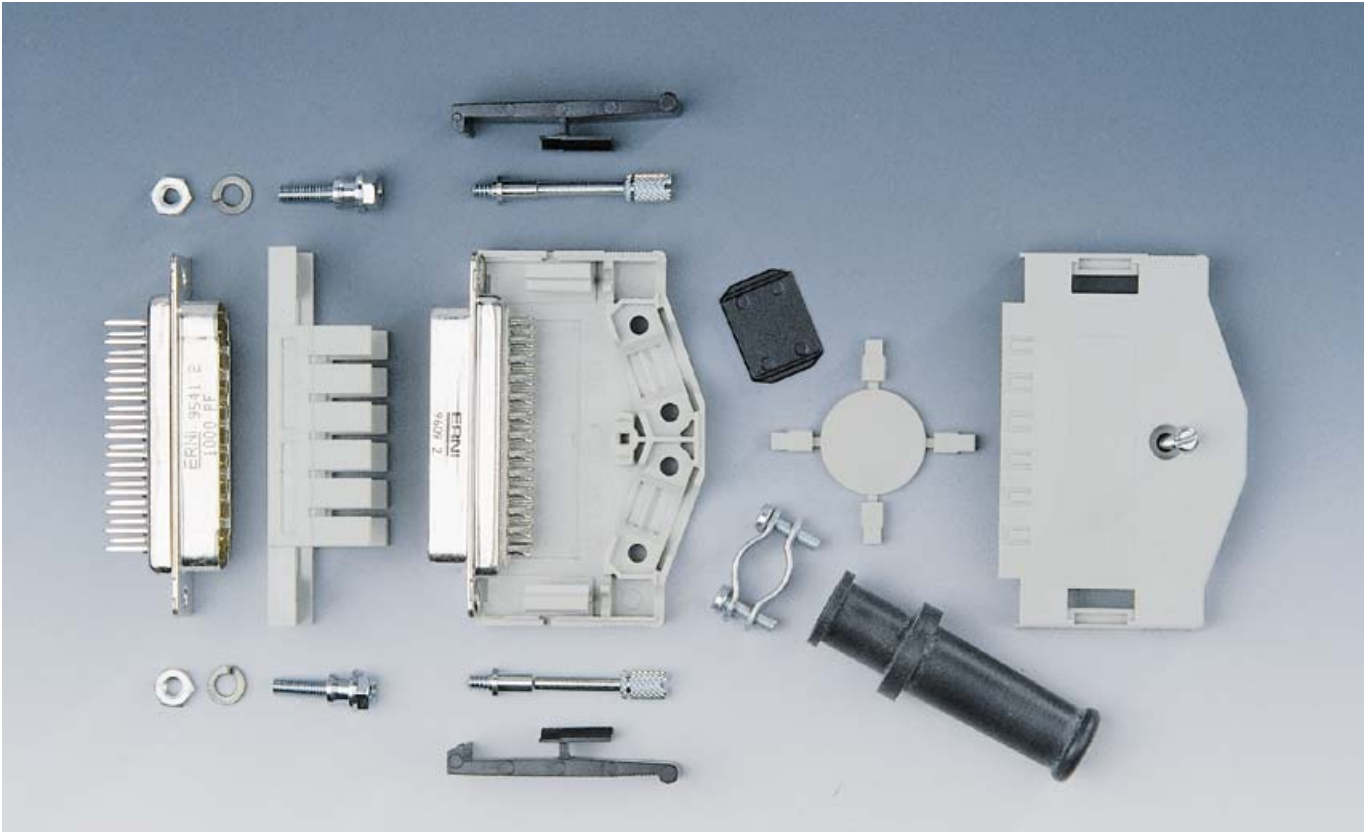
### Shield attenuation diagram, measured using wire injection method





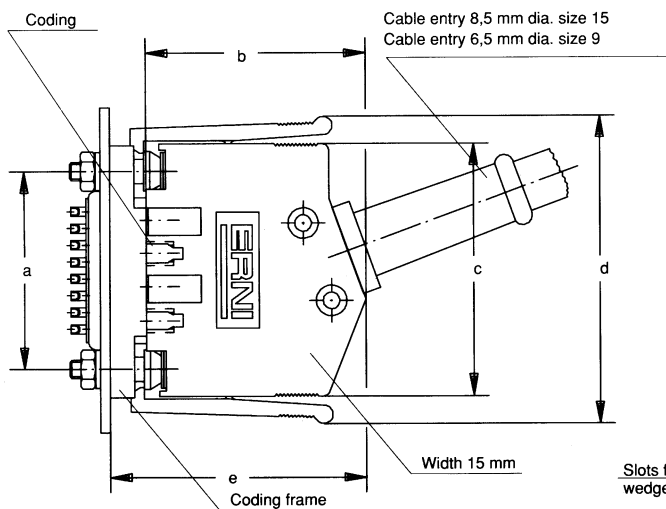
## Cable Connector Housing Series KSG 185

With engagement and / or screw locking;  
integrated coding; metallized version

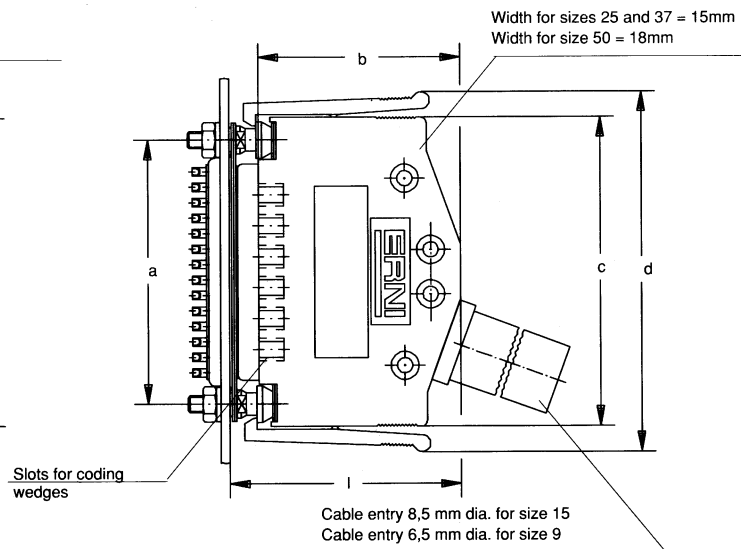


### Dimensions of cable connector housing Series KSG 185

Dimensions with coding frame  
Illustrated for 9 and 15 pin housing sizes

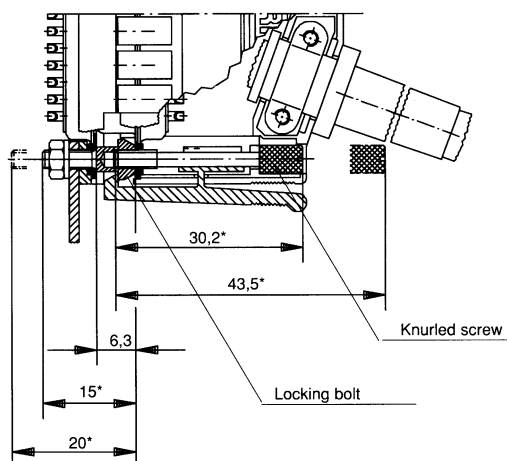


Dimensions without coding frame  
Illustrated for 25, 37 and 50 pin housing sizes



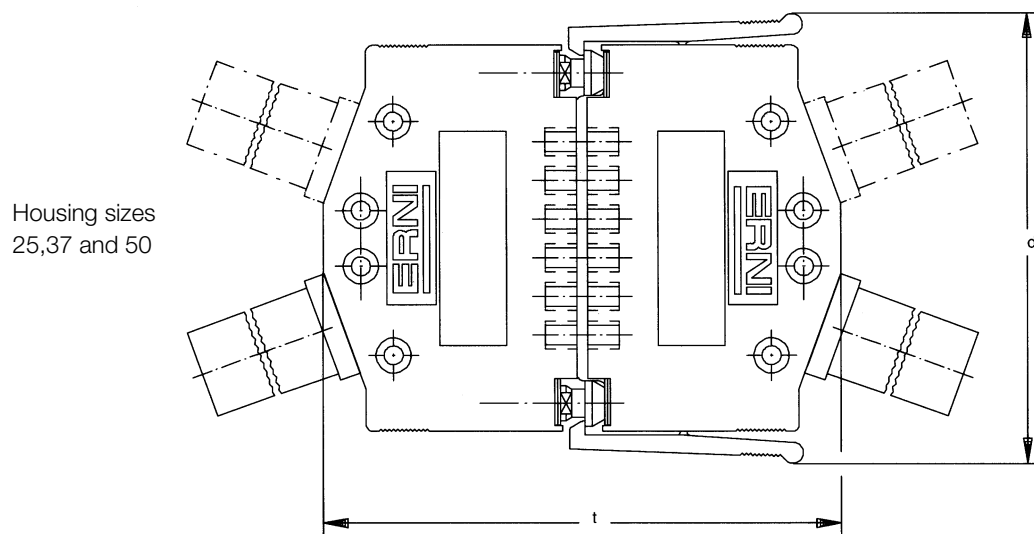
## Series KSG 185

### Dimensions of locking parts



### Dimensions of panel cutout

### Dimensions of cable coupler cable connector housing Series KSG 185



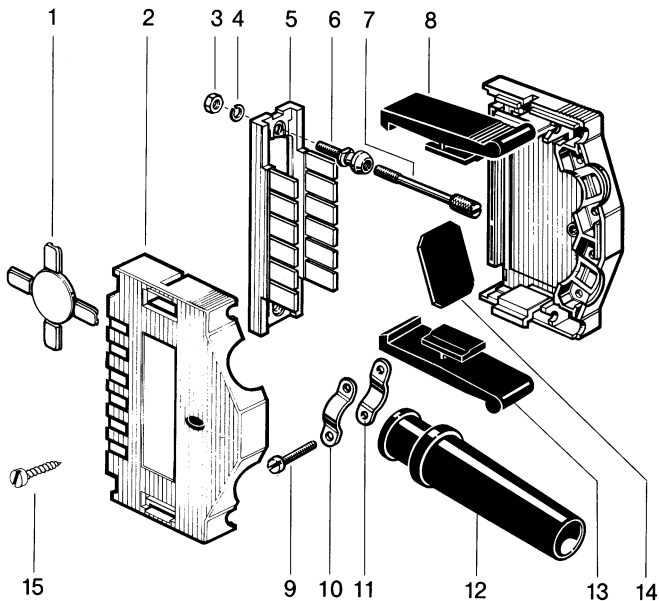
### Table of dimensions cable connector housing Series KSG 185

Sizes	a	b	c	d	e	f	g	h	j	k	l	t
<b>9</b>	25.0	36.0	33.0	42.0	43.0	22,2	11,1	12,5	6,5	13.0	41,5	74.0
<b>15</b>	33,3	36.0	41,3	50,3	43.0	30,5	15,25	16,65	6,5	13.0	41,5	74.0
<b>25</b>	47.0	36.0	55.0	64.0	43.0	44,3	22,15	23,5	6,5	13.0	41,5	74.0
<b>37</b>	63,5	36.0	71,5	80,5	43.0	60,7	30,35	31,75	6,5	13.0	41,5	74.0
<b>50</b>	61,1	36.0	69,1	78,1	43.0	58,3	29,15	30,55	7,9	15,8	41,5	74.0

## Series KSG 185

### Individual parts cable connector housing Series KSG 185

#### Housing material: polycarbonate

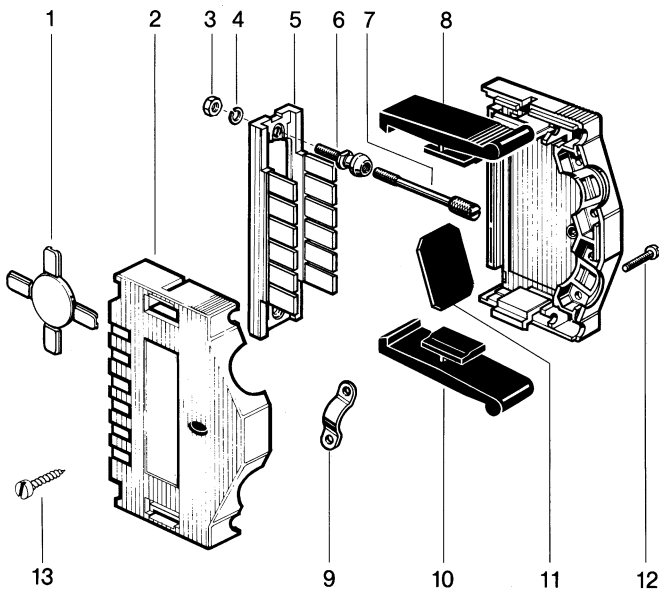


#### Individual parts

Item	Description
1	Coding star
2	Connector housing shell halves
3	Hex nut M3 DIN 934
4	Spring washer A3 DIN 127
5	Coding frame
6	Locking bolt
7	Knurled screw
8	Latch-lever, left
9	Cheese-head screw B 2.5 x 8.0 DIN 84
10	Strain relief clamp
11	Strain relief clamp
12	Cable sleeve: $\varnothing$ 6.5 mm for size 9 $\varnothing$ 8.5 mm for size 15 and 25 $\varnothing$ 10.5 mm for size 37 and 50
13	Latch-lever, right
14	Blind plug
15	Cheese-head tapping screw: 9 – 37 pin: B 2.2 x 9.5 DIN 7971 50 pin: B 2.2 x 13.0 DIN 7971

Items 1, 5, 6, 7, 8, and 13 are accessories and not included in the connector housing kit.

#### Housing material ABS metallized



#### Individual parts

Item	Description
1	Coding star
2	Connector housing shell halves
3	Hex nut M3 DIN 934
4	Spring washer A3 DIN 127
5	Coding frame
6	Locking bolt
7	Knurled screw
8	Latch-lever, left
9	Strain relief clamp
10	Latch-lever, right
11	Blind plug
12	Cheese-head screw: M 2.5 x 10.0 ISO 1207 M 2.5 x 12.0 ISO 1207
13	Pan-head tapping screw: 9 – 37 pin: B 2.2 x 9.5 DIN 7971 50 pin: B 2.2 x 13.0 DIN 7971

Items 1, 5, 6, 7, 8, and 10 are accessories and not included in the connector housing kit.

#### Explanation:

If the metallized cable connector housing is used, only one strain relief clamp is required. It is screwed directly to the connector shell half to make contact with the screening. There is no need for the cable sleeve.

## Series KSG 185

### Kits of cable connector housing Series KSG 185

Cable connector housings series KSG 185 are supplied as kits.

Items 2,9,10,11,12,14 and 15 are not included in the kit of the non-metallized version, housing material PC.


Metallized cable connector housings are also packed as kits. Items included: 2,9,11,12 and 13.

*Larger packaging units are available on request (i.e. housing kits in a complete package).*

### Ordering Information


#### Housing material polycarbonate 30% GV Color pebble gray, RAL 7032

Housing Size	Part-No. Kit
9	423554
15	423555
25	423556
37	423557
50	423558



#### Housing material ABS metallized

Housing Size	Part-No. Kit
9	423559
15	423560
25	423561
37	423562
50	423563




The ordering details specified apply to connector housings with one cable entry. Kits with accessories for two cable entries on request

#### Kits of locking bolts and #4/40 for cable connector housing Series KSG 185

**Material:**  
Steel, surface-treated


Total length	Part-No. Kit
M3 15.0 mm	024912
M3 20.0 mm	024913
#4/40 15.0 mm	024915
NC2A 20.0 mm	024914



#### Parts for coding cable connector housings Series KSG 185

**Housing material polycarbonate 30% GV  
Color pebble gray, RAL 7032**

Coding frame	Part Number
9	423074
15	423075
25	423076
37	423077
50	423078
Coding star with 4 coding wedges	033014




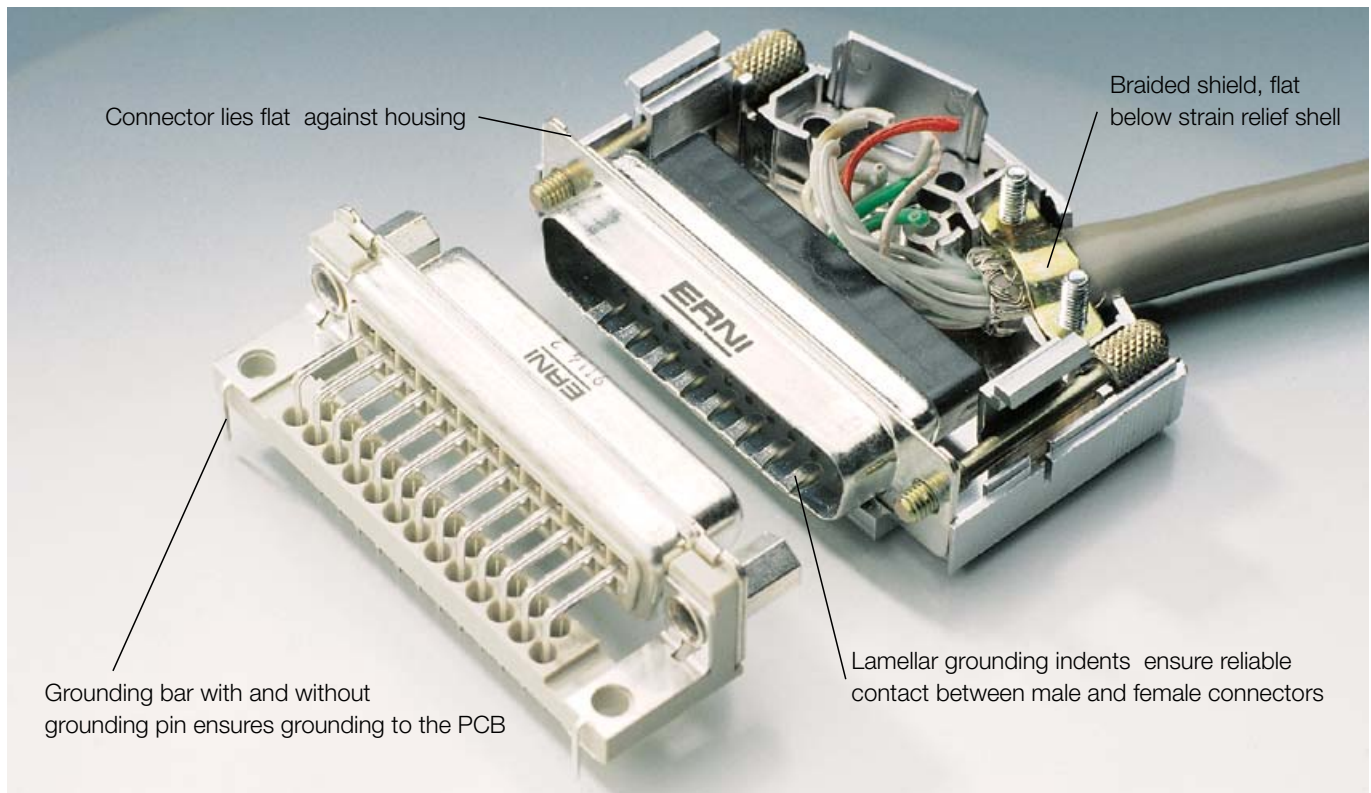


## Series KSG 185

### Separate accessories for cable connector housing Series KSG 185

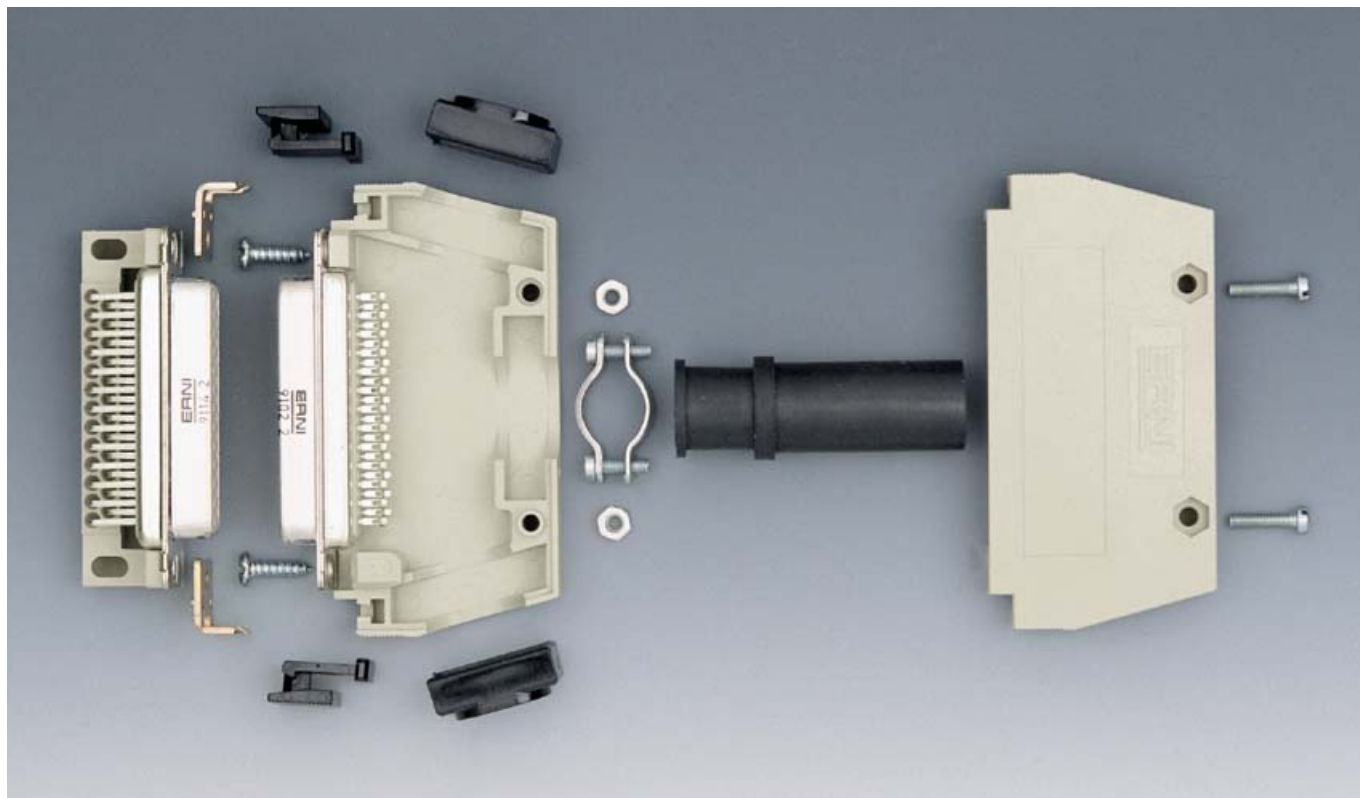
Description		Quantity	Material	Part Number
Latch-lever, right		1	PC black	<b>423215</b>
Latch-lever, left		1	PC black	<b>423080</b>
Knurled screw M3, length 29.5 mm		2	Steel, surface-treated	<b>014865</b>
Knurled screw M3, length 42.8 mm		2	Steel, surface-treated	<b>014863</b>
Knurled screw #4/40, length 29.5 mm		2	Steel, surface-treated	<b>014869</b>
Knurled screw #4/40, length 42.8mm		2	Steel, surface-treated	<b>014871</b>

Description	Inner diameter	Material	Part Number
Cable sleeve	10.5 mm (1 in a set for housing sizes 37, 50)	Rubber black	<b>083351</b>
Cable sleeve	6.5 mm (1 in a set for housing sizes 37, 50)	Rubber black	<b>083352</b>
Cable sleeve	8.5 mm (1 in a set for housing sizes 9, 37, 50)	Rubber black	<b>423894</b>
Cable sleeve 	6.5 mm (1 in a set for housing sizes 9, 37, 50)	Rubber black	<b>423895</b>



# Cable Connector Housing Series KSG 183

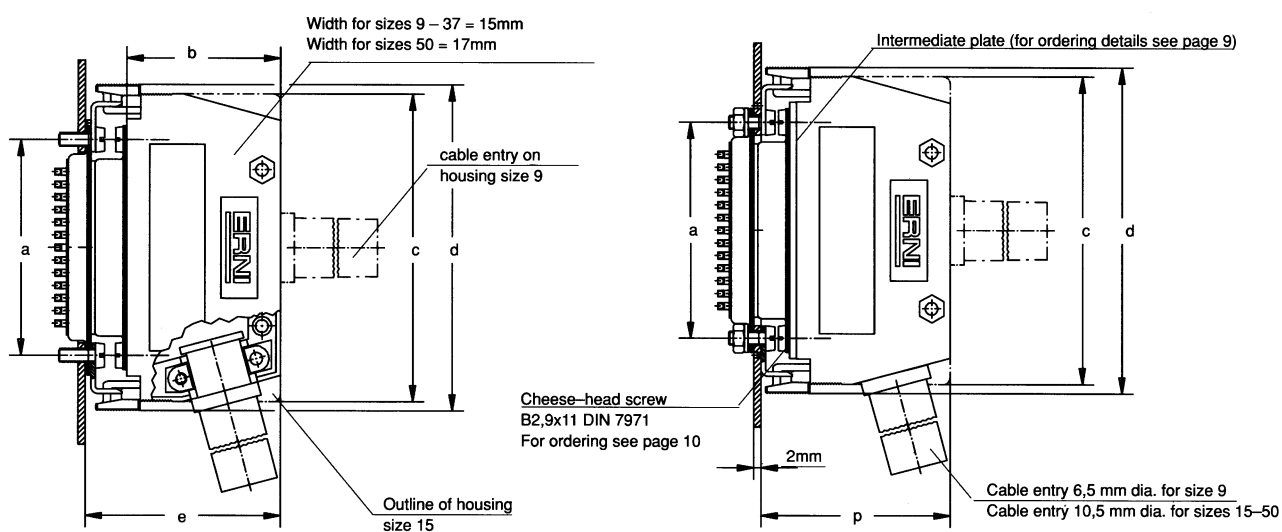
with snap-in locking



## Dimensions of cable connector housing Series KSG 183

Front-panel assembly

Back-panel assembly

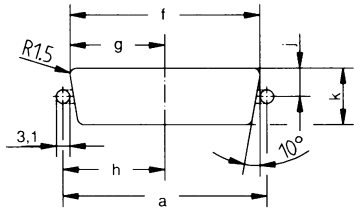




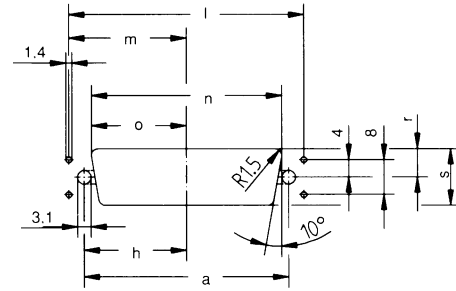
## Series KSG 183

### Dimensions of panel cutout cable connector housing Series KSG 183

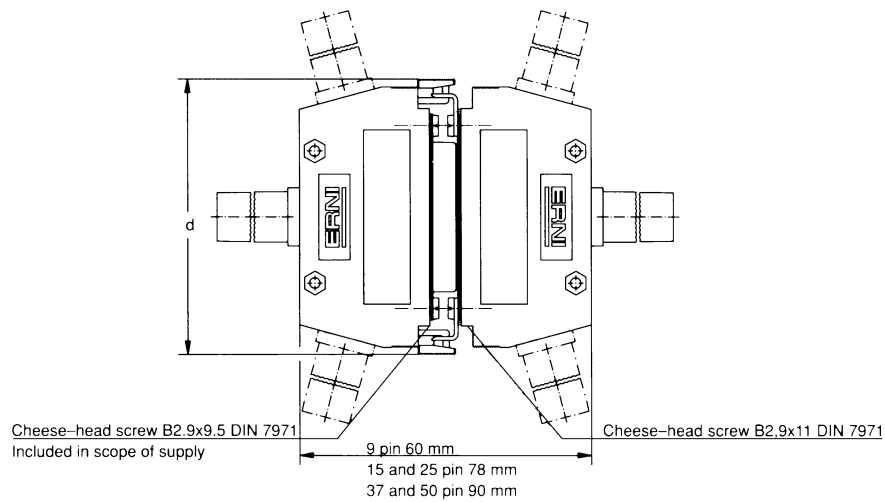
Front-panel assembly



Back-panel assembly



### Dimensions of cable coupler cable connector housing Series KSG 183



### Table of dimensions cable connector housing Series KSG 183

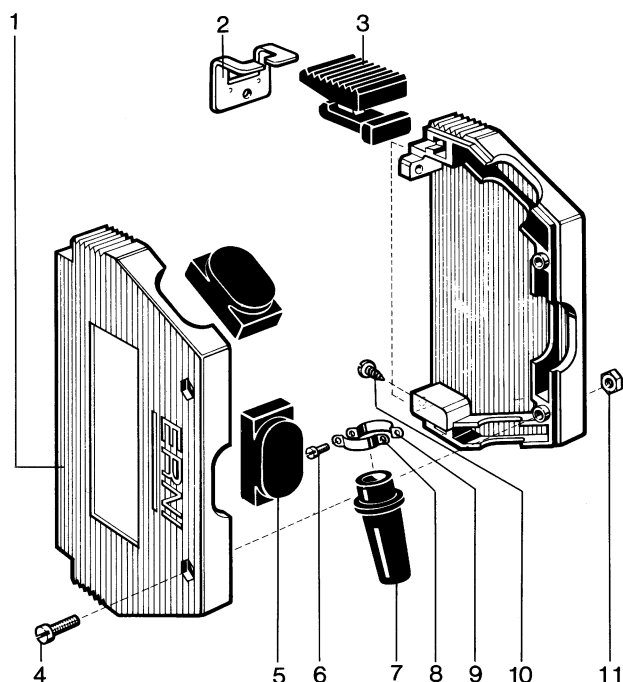
Sizes	a	b	c	d	e	f	g	h	j	k	l	m
9	25.0	25.0	45.0	49.0	35.0	22.2	11.1	12.5	6.5	13.0	32.0	16.0
15	33.3	34.0	53.0	57.0	44.0	30.5	15.25	16.65	6.5	13.0	40.3	20.15
25	47.0	34.0	67.0	71.0	44.0	44.3	22.15	23.5	6.5	13.0	54.0	27.0
37	63.5	40.0	83.0	87.0	50.0	60.7	30.35	31.75	6.5	13.0	70.5	35.25
50	61.1	40.0	81.0	85.0	50.0	58.3	29.15	30.55	7.9	15.8	68.1	34.05

Sizes	n	o	p	r	s
9	20.5	10.25	34.0	5.7	11.4
15	28.8	14.4	43.0	5.7	11.4
25	42.5	21.25	43.0	5.7	11.4
37	59.1	29.55	49.0	5.7	11.4
50	56.3	28.15	49.0	7.05	14.1

## Series KSG 183

### Individual parts cable connector housing Series KSG 183



#### Individual parts

Item	Description
1	Connector housing shell halves
2	latching bracket
3	Latch-lever
4	Cheese-head screw M 2.5 x 10.0 DIN 84
5	Blind plug
6	Cheese-head screw M 2.5 x 8.0 DIN 84
7	Cable sleeve 6,5 mm dia, for size 9, 10,5mm dia, for size 15 to 50
8	Strain relief clamp
9	Strain relief clamp
10	Cheese-head screw B 2.9 x 9.5 DIN 7971
11	Hex nut M2.5 DIN 934

Items 2 and 3 are accessories and not included in the connector housing kit.

### Kits of cable connector housings Series KSG 183

Series KSG 183 cable connector housings are supplied as kits.  
Items included: 2,9,11,12 and 13

*Larger packaging units are available on request (e.g. 100 housing kits in a complete package).*

### Ordering Information

**Housing material polycarbonate 30% GV**  
**Color pebble gray, RAL 7032**

Housing Size	Part-No. Kit
9	<b>183001</b>
15	<b>183020</b>
25	<b>183040</b>
37	<b>183060</b>
50	<b>183080</b>





The ordering details specified apply to connector housings with one cable entry. Kits with accessories for two cable entries on request




## Series KSG 183

### Seperate accessories for cable connector housings Series KSG 183



Description		Quantity*	Material	Part Number
Latch-lever		2	PC black	<b>183130</b>
Latching bracket		2	Steel, surface-treated	<b>014915</b>
Cheese-headscrew B2.9 x 11.0 DIN 7971 for back-panel assembly and for cable couplers		2	Steel, surface-treated	<b>413346</b>

\* per cable connector housing

Description		Size	Material*	Part Number
PC intermediate plate		9	Polycarbonate	<b>183132</b>
		15	Polycarbonate	<b>183135</b>
		25	Polycarbonate	<b>183138</b>
		37	Polycarbonate	<b>183141</b>
		50	Polycarbonate	<b>183144</b>

\* Polycarbonate 30% GV grey Ral 7032

For advice on usaging the intermediate plate please see page 15

Description		Inner diameter	Material	Part Number
Cable sleeve		10.5 mm (1 in a set for housing sizes 15-50)	Rubber black	<b>423894</b>
Cable sleeve		6.5 mm (1 in a set for housing size 9)	Rubber black	<b>083352</b>



## Part Number Index

Part Number	Page
014863.....	12
014865.....	12
014869.....	12
014871.....	12
014915.....	16
024912.....	11
024913.....	11
024914.....	11
024915.....	11
033014.....	11
063380.....	6
063383.....	6
063384.....	6
063385.....	6
063386.....	6
063387.....	6
063388.....	6
063389.....	6
083351.....	12
083352.....	16
083352.....	12
183001.....	15
183020.....	15
183040.....	15
183060.....	15
183080.....	15
183130.....	16
183132.....	16
183135.....	16
183138.....	16
183141.....	16
183144.....	16
413346.....	16
423074.....	11
423075.....	11
423076.....	11
423077.....	11
423078.....	11
423080.....	12
423215.....	12
423554.....	11
423555.....	11
423556.....	11
423557.....	11
423558.....	11
423559.....	11
423560.....	11

Part Number	Page
423561.....	11
423562.....	11
423563.....	11
423894.....	16
423894.....	12
423895.....	12









Member



VMEbus INTERNATIONAL TRADE ASSOCIATION





**ERNI Electronics GmbH**

Seestrasse 9  
73099 Adelberg, Germany  
Tel +49 7166 50-0  
Fax +49 7166 50-282  
info@erni.de

Europe South America Africa

**ERNI Electronics, Inc.**

3005 E. Boundary Terrace  
Midlothian, VA 23112  
Tel +1 804 228-4100  
Fax +1 804 228-4099  
info.usa@erni.com

North America Canada Mexico

**ERNI Asia Holding Pte Ltd.**

Blk 4008 Ang Mo Kio Avenue 10  
#04-01/02 Techplace I  
Singapore 569625  
Tel +65 6 555 5885  
Fax +65 6 555 5995  
info@erni-asia.com

Asia

[www.erni.com](http://www.erni.com)

ERNI Electronics GmbH 2004 • Printed in Germany.  
A policy of continuous improvement is followed and the right to alter any published data without notice is reserved.