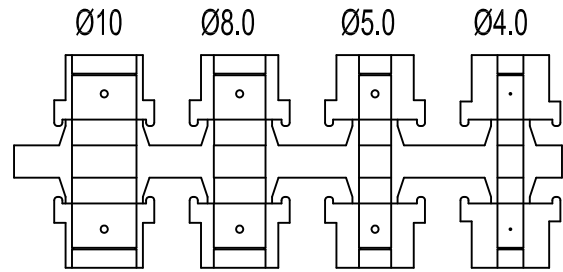
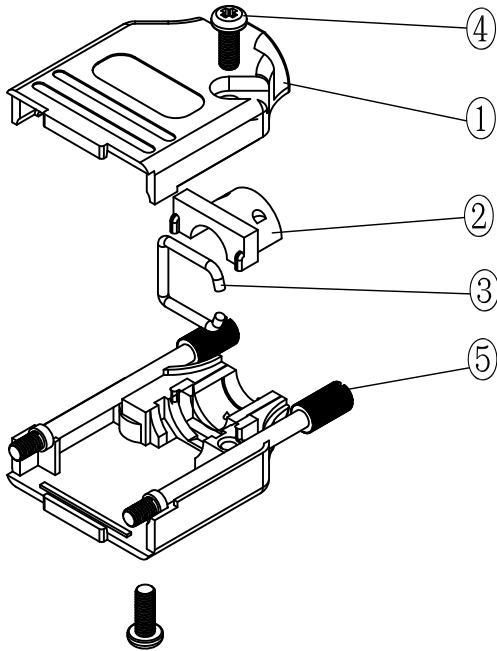
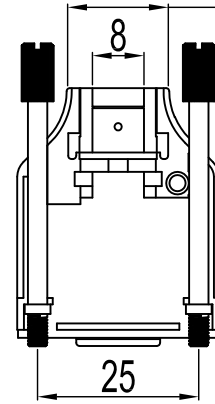
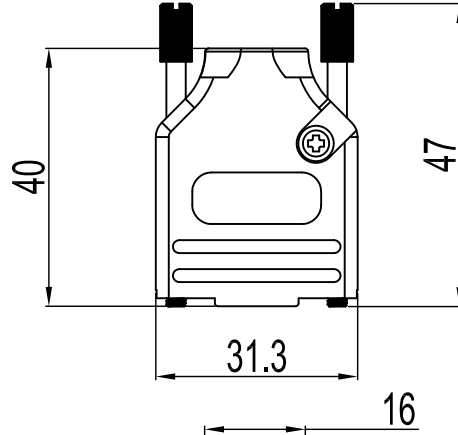
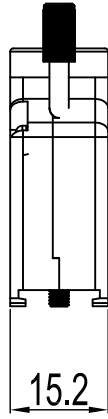


No.	Changes and/or Note No.	Date	Intr	No	Changes and/or Note No.	Date	Intr

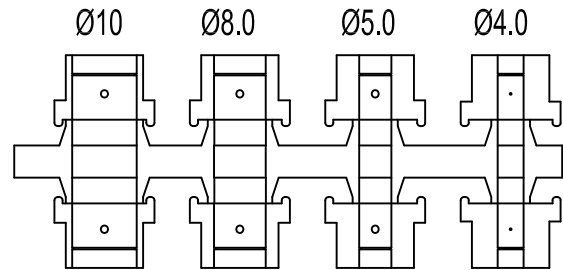
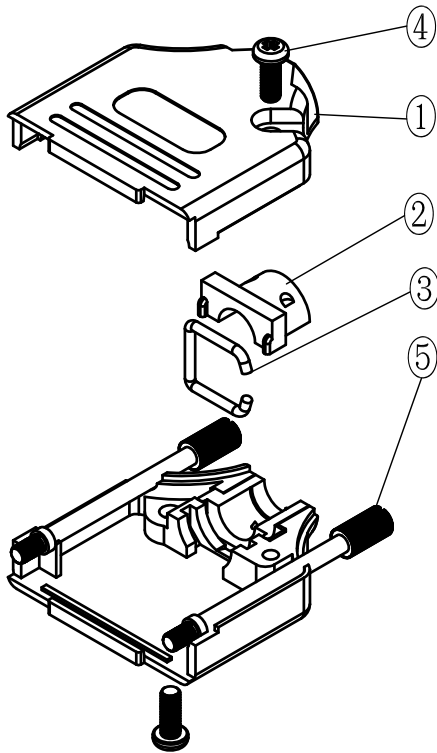
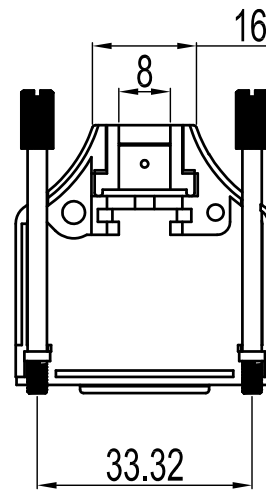
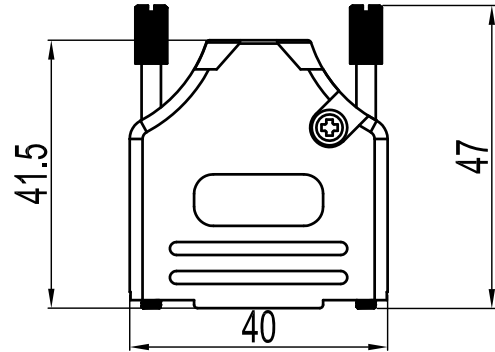
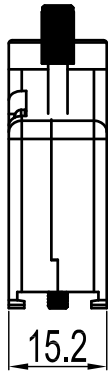


Part Number:	Description:	Pack:	1	2	DTZK-9	Cover
			2	1	DTZK-D1	Grommet
6560-0805-01	MHDTZK-09-K	Kit	3	1	C-CLIP	C-Clip
			4	2	M3X10	Screw
6561-0805-01	MHDTZK-09	Bulk	5	2	UNC 4-40X47.2	Jack screw
			Item	QTY	Part Number	Description

DATE: 2008-09-11	DRAWN: YGY	SCALE:	MATERIAL TYPE:
---------------------	---------------	--------	----------------

APPROVED: MRR	REPLACES:
------------------	-----------

No.	Changes and/or Note No.	Date	Intr	No	Changes and/or Note No.	Date	Intr

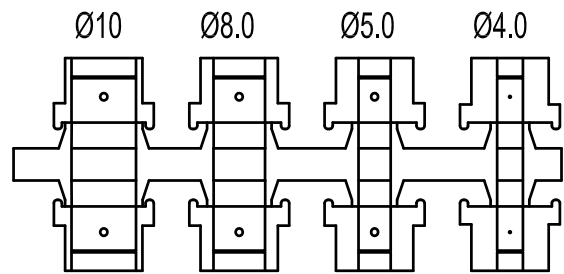
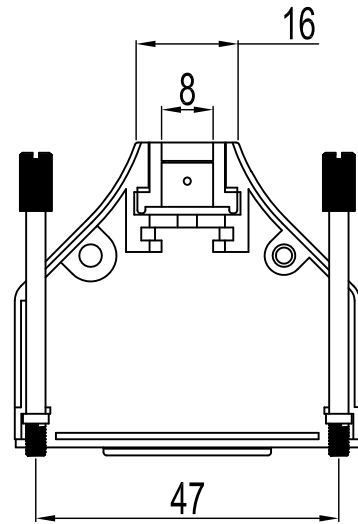
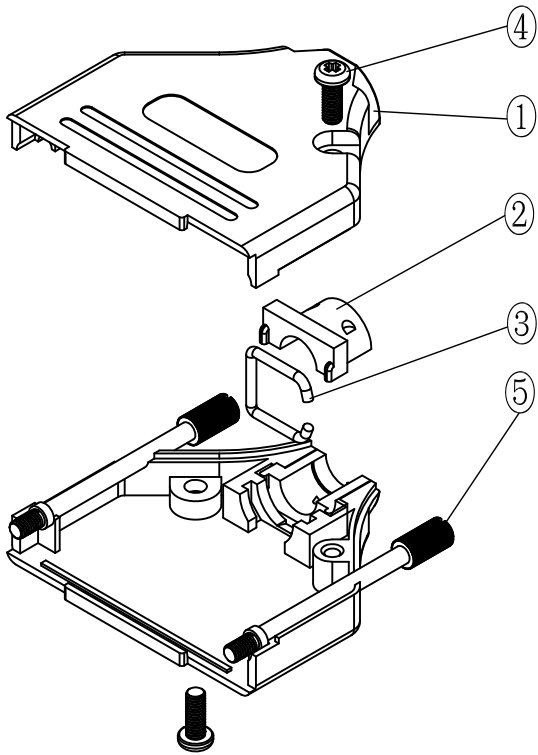
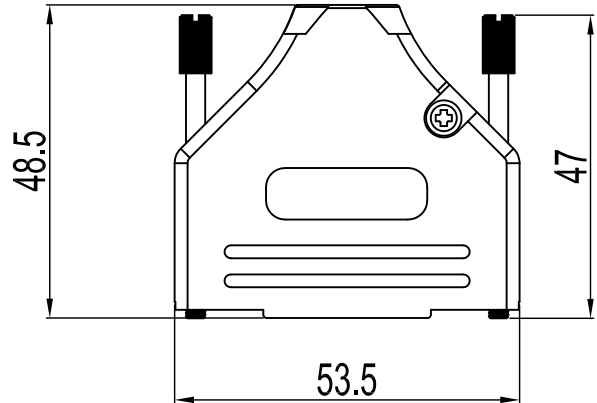
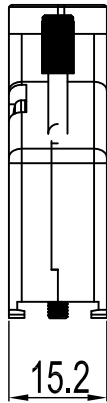


Part Number:	Description:	Pack:	1	2	DTZK-15	Cover
			2	1	DTZK-D1	Grommet
6560-0805-02	MHDTZK-15-K	Kit	3	1	C-CLIP	C-Clip
			4	2	M3X10	Screw
6561-0805-02	MHDTZK-15	Bulk	5	2	UNC 4-40X47.2	Jack screw
			Item	QTY	Part Number	Description

DATE: 2008-09-11	DRAWN: YGY	SCALE:	MATERIAL TYPE:
---------------------	---------------	--------	----------------

APPROVED: MRR	REPLACES:
------------------	-----------

No.	Changes and/or Note No.	Date	Intr	No	Changes and/or Note No.	Date	Intr

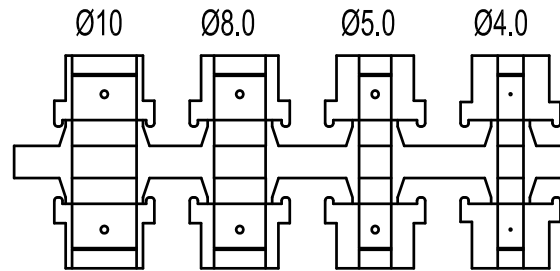
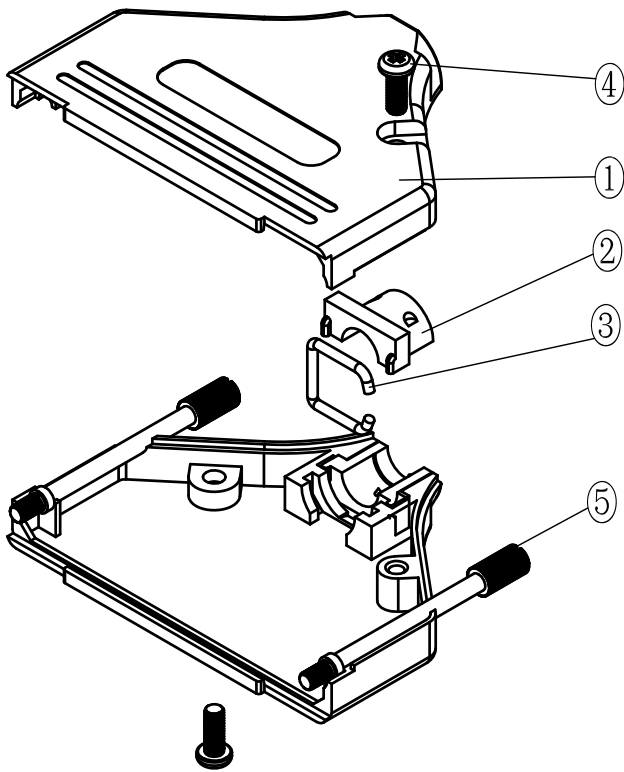
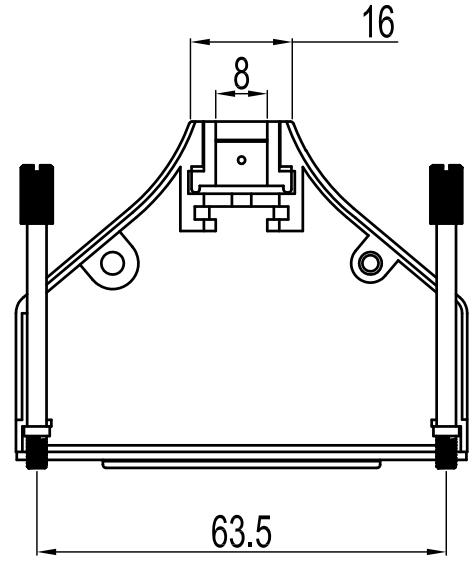
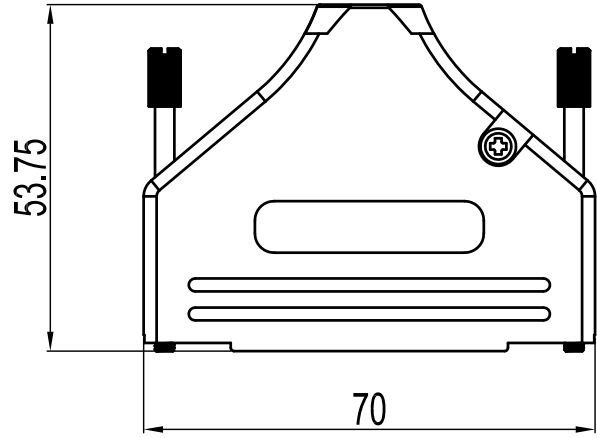
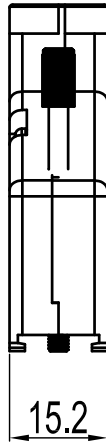


Part Number:	Description:	Pack:	1	2	DTZK-25	Cover
			2	1	DTZK-D1	Grommet
6560-0805-03	MHDTZK-25-K	Kit	3	1	C-CLIP	C-Clip
			4	2	M3X10	Screw
6561-0805-03	MHDTZK-25	Bulk	5	2	UNC 4-40X47.2	Jack screw
			Item	QTY	Part Number	Description

DATE: 2008-09-11	DRAWN: YGY	SCALE:	MATERIAL TYPE:
---------------------	---------------	--------	----------------

APPROVED: MRR	REPLACES:
------------------	-----------

No.	Changes and/or Note No.	Date	Intr	No	Changes and/or Note No.	Date	Intr



Part Number:	Description:	Pack:	1	2	DTZK-37	Cover
6560-0805-04	MHDTZK-37-K	Kit	2	1	DTZK-D1	Grommet
6561-0805-04	MHDTZK-37	Bulk	3	1	C-CLIP	C-Clip
			4	2	M3X10	Screw
			5	2	UNC 4-40X47.2	Jack screw
			Item	QTY	Part Number	Description

DATE: 2008-09-11	DRAWN: YGY	SCALE:	MATERIAL TYPE:
---------------------	---------------	--------	----------------

	APPROVED: MRR		REPLACES:
--	------------------	--	-----------

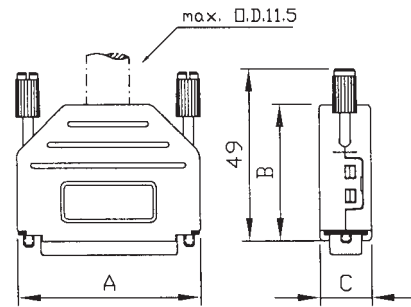
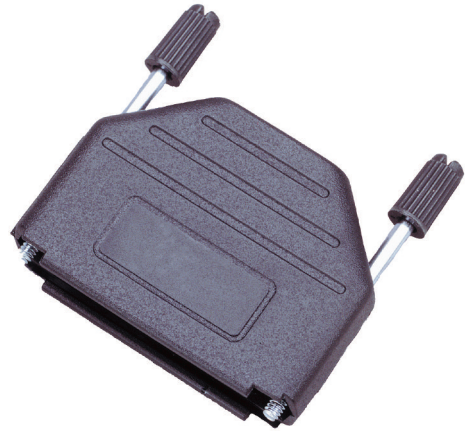
TECHNICAL SPECIFICATIONS

Material: Polyamid UL-recognized
Operating Temperature: -30°C to 110°C
Cable Entry: Top
Thumbscrews: UNC 4-40 (standard)
 M2,5 or M3 upon request
Cable Diameter: Up to 11,5 mm
Accessories: See page 40-43

Available colours:

- Black
- Red
- Green
- Blue
- Yellow
- White
- Light Grey
- DEC Grey

Other colours on request.



Features:

- Available in sizes 9-15-25-37-50
- Suitable for any common D-sub connector
- Quick-snap locking system
- Re-openable
- Company logo available upon request
- Wide range of colours available
- Can also be offered in metalized version (See MHDPPK-T/M, page 12)

Size DPPK-SLIM	Dim A	Dim B	Dim C
9-way	31,5	34,0	15,0
15-way	40,0	34,0	15,0
25-way	53,5	40,0	15,0
37-way	70,0	40,0	15,0
50-way	67,5	40,0	19,0

Order Code

MHDPPK XX - Y - K

Series: _____

Size (xx): 09, 15, 25, 37, 50 _____

Colour (y): _____

BK = Black, **R** = Red, **G** = Green
B = Blue, **Y** = Yellow, **W** = White
LG = Light Grey, **DE** = DEC Grey

Packing Style: _____

Omit = Bulk, **K** = Kit

Colours **BROWN** and **BEIGE** available on request

