

| Technical Data | Lead Spacing 2,54 mm | | Lead Spacing 2,00 mm |
|---------------------------------------|--------------------------------------|-----------------------------|----------------------------|
| Base plate | Copper alloy | | |
| Plating Base plate | tin plated | | |
| Contact finish | 0.8μ Au / 30 micro inch gold plating | | |
| Contact dimensions | Round contact Ø 0.64 mm | Square contact ∅ 0.64 mm | Round contact Ø 0.64 mm |
| Dielectric withstanding voltage (DWV) | 500 VDC | | 500 VDC |
| Working voltage | 100 VDC / -55°C to +125°C | | 50 VDC / -55°C to +125°C |
| Current rating | 5 A | | 3 A |
| Insulation resistance | 10 GΩ min. at 125°C | | |
| Humidity | 40 C / 85% RH | | |

| Filter | Capacitance | | 3dB max. Point* | Typical Insertion Loss (dB) 50Ω System (No load) Per MIL-STD-220 @ 25°C | | | | | | | |
|--------|-------------|-----------|--------------------|--|-----------|-----------|-----------|------------|------------|------------|----------|
| | Value | Tolerance | | 5 MHz | 10 MHz | 20 MHz | 50 MHz | 100 MHz | 200 MHz | 500 MHz | 1 GHz |
| C | 68pF | ± 20% | 77 MHz | - | - | - | - | - | 3 | 10 | 16 |
| C | 100pF | ± 20% | 53 MHz | - | - | - | - | 1 | 6 | 14 | 19 |
| C | 140pF | +100/-0% | 23 MHz | - | - | - | 1 | 5 | 10 | 16 | 20 |
| C | 470pF | ± 20% | 11 MHz | - | - | 2 | 7 | 13 | 19 | 25 | 27 |
| C | 820pF | ± 20% | 6 MHz | - | 2 | 6 | 12 | 18 | 24 | 30 | 33 |
| C | 1000pF | ± 20% | 5 MHz | - | 3 | 7 | 14 | 20 | 26 | 32 | 35 |
| C | 1500pF | ± 20% | 3.5 MHz | - | 4 | 10 | 16 | 22 | 29 | 36 | 37 |
| C | 2500pF | +100/-0% | 1.3 MHz | - | 11 | 17 | 23 | 29 | 35 | 38 | 40 |
| C | 4000pF | +100/-0% | 0.8 MHz | - | 15 | 21 | 27 | 34 | 38 | 42 | 46 |
| | | | | | | | | | | | |
| Pi | 68pF | ± 20% | 65 MHz | - | - | - | - | 1 | 6 | 17 | 23 |
| Pi | 100pF | ± 20% | 46 MHz | - | - | - | - | 2 | 9 | 22 | 28 |
| Pi | 135pF | +100/-0% | 25 MHz | - | - | - | 1 | 6 | 17 | 26 | 34 |
| Pi | 470pF | ± 20% | 11 MHz | - | - | - | 9 | 18 | 22 | 36 | 43 |
| Pi | 820pF | ± 20% | 6 MHz | - | - | 4 | 13 | 23 | 31 | 45 | 52 |
| Pi | 1000pF | ± 20% | 5 MHz | - | 2 | 7 | 16 | 24 | 36 | 51 | 59 |
| Pi | 1700pF | +100/-0% | 1.9 MHz | 1 | 6 | 14 | 28 | 35 | 49 | 64 | 69 |
| Pi | 2500pF | +100/-0% | 1.3 MHz | 4 | 9 | 16 | 28 | 41 | 54 | 70 | 70 |
| Pi | 5000pF | +100/-0% | 0.7 MHz | 9 | 15 | 28 | 41 | 53 | 66 | 70 | 70 |

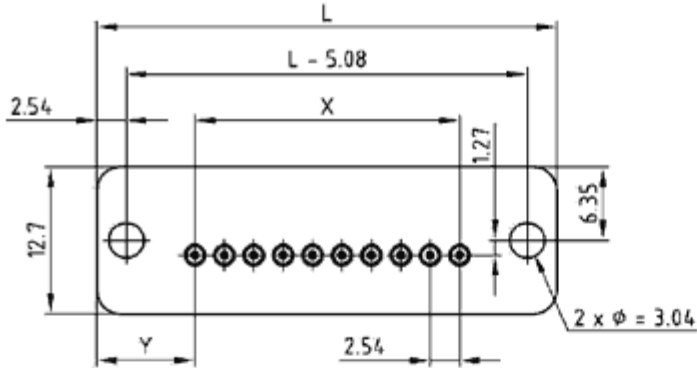
* 3dB cut-off frequency calculated at the maximum capacitance

Technical alterations are subject to change without notice.



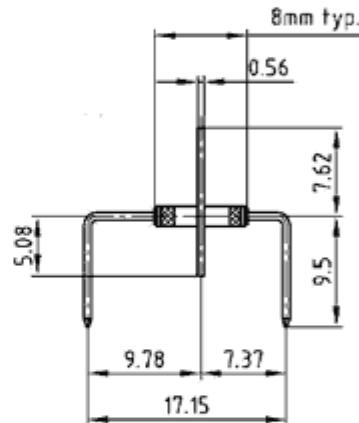
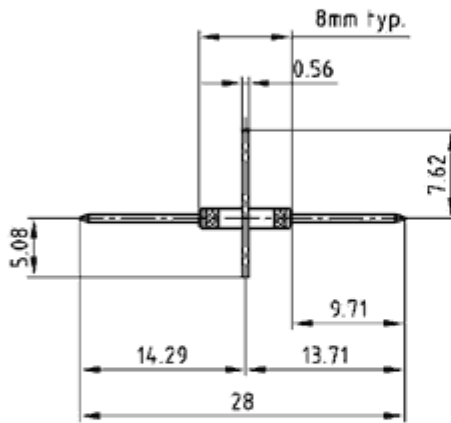
Filter plate
1-row
Lead spacing
2,54 mm

Directive 2002/95/EC
"RoHS"
Compliant



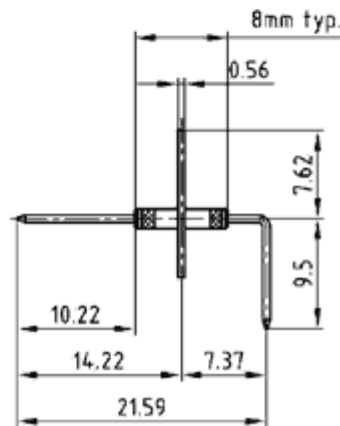
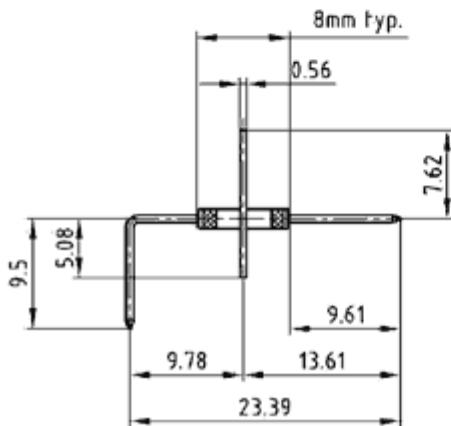
straight

90° both



90° left

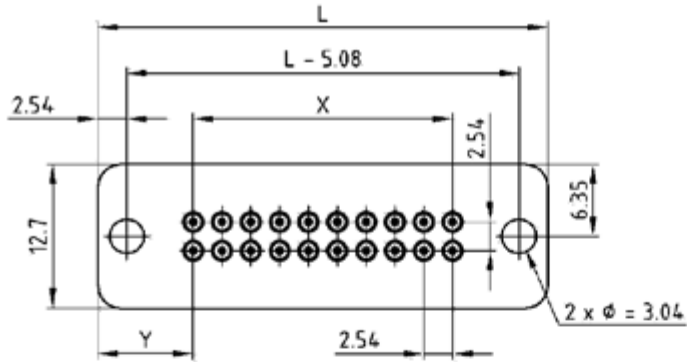
90° right





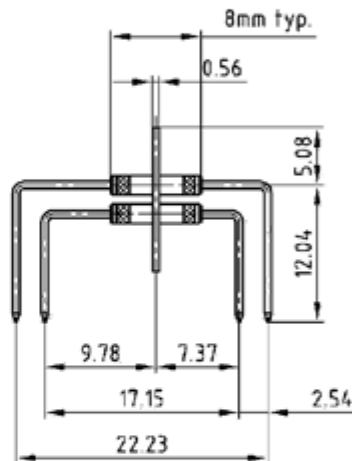
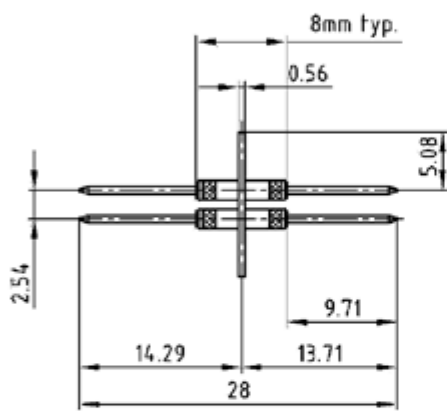
Filter plate
2-row
Lead spacing 2,54 mm

Directive 2002/95/EC
 "RoHS"
 Compliant



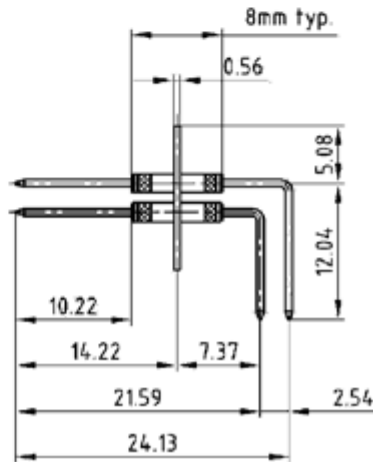
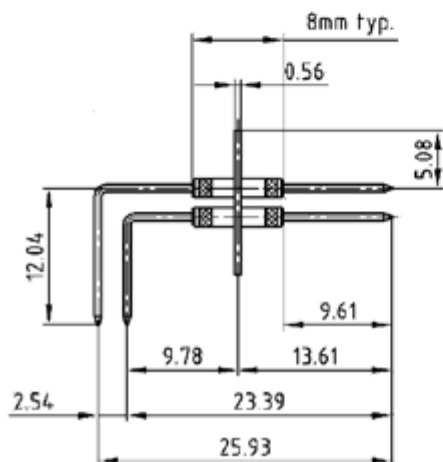
straight

90° both



90° left

90° right



Dimensions for filter plates

| Plate length (L) | No. of Filter per row | X (mm) | y (mm) |
|----------------------|-----------------------|--------|--------|
| Size A (26.92 mm) | 1 | 0.00 | 13.46 |
| | 2 | 2.54 | 10.92 |
| | 3 | 5.08 | 10.92 |
| | 4 | 7.62 | 8.38 |
| | 5 | 10.16 | 8.38 |
| Size C (65.92 mm) | 5 | 10.16 | 26.16 |
| | 6 | 12.70 | 26.16 |
| | 7 | 15.24 | 23.62 |
| | 8 | 17.78 | 23.62 |
| | 9 | 20.32 | 21.08 |
| | 10 | 22.86 | 21.08 |
| | 11 | 25.40 | 18.54 |
| | 12 | 27.94 | 18.54 |
| | 13 | 30.48 | 16.00 |
| | 14 | 33.02 | 16.00 |
| | 15 | 35.56 | 13.46 |
| | 16 | 38.10 | 13.46 |
| | 17 | 40.64 | 10.92 |
| | 18 | 43.18 | 10.92 |
| | 19 | 45.72 | 8.38 |
| 20 | 48.26 | 8.38 | |

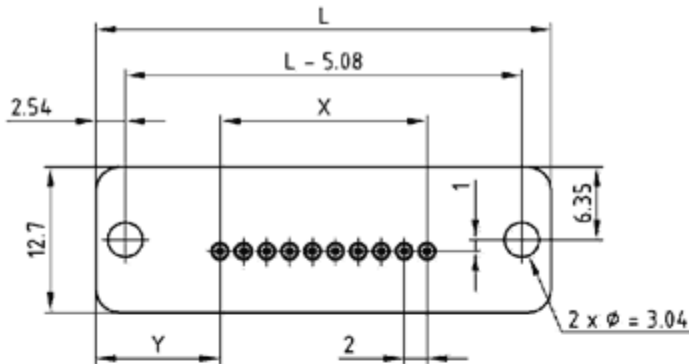
Dimensions for filter plates

| Plate length (L) | No. of Filter per row | X (mm) | y (mm) |
|----------------------|-----------------------|--------|--------|
| Size B (39.92 mm) | 1 | 0.00 | 18.54 |
| | 2 | 2.54 | 18.54 |
| | 3 | 5.08 | 10.92 |
| | 4 | 7.62 | 16.00 |
| | 5 | 10.16 | 16.00 |
| | 5 | 10.16 | 13.46 |
| | 6 | 12.70 | 13.46 |
| | 7 | 15.24 | 10.92 |
| | 8 | 17.78 | 10.92 |
| | 9 | 20.32 | 8.38 |
| Size D (90.42 mm) | 10 | 22.86 | 8.38 |
| | 13 | 30.48 | 25.70 |
| | 14 | 33.02 | 28.70 |
| | 15 | 35.56 | 26.16 |
| | 16 | 38.10 | 26.16 |
| | 17 | 40.64 | 23.62 |
| | 18 | 43.18 | 23.62 |
| | 19 | 45.72 | 21.08 |
| | 20 | 48.26 | 21.08 |
| | 21 | 50.80 | 18.54 |
| | 22 | 53.34 | 18.54 |
| | 23 | 55.88 | 16.00 |
| | 24 | 58.42 | 16.00 |
| | 25 | 60.96 | 13.46 |
| | 26 | 63.50 | 13.46 |
| | 27 | 66.04 | 10.92 |
| | 28 | 68.58 | 10.92 |
| | 29 | 71.12 | 8.38 |
| | 30 | 73.66 | 8.38 |

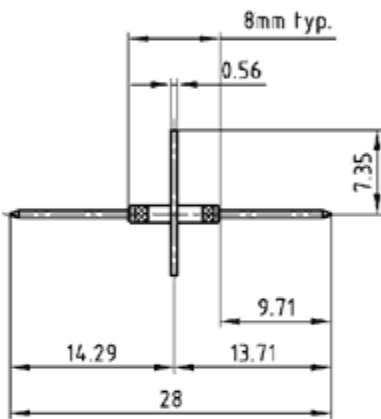


Filter plate
1-row
Lead spacing 2,00 mm

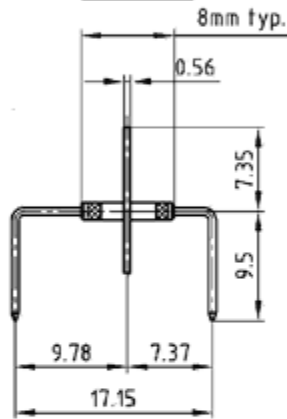
Directive 2002/95/EC
 „RoHS“
 Compliant



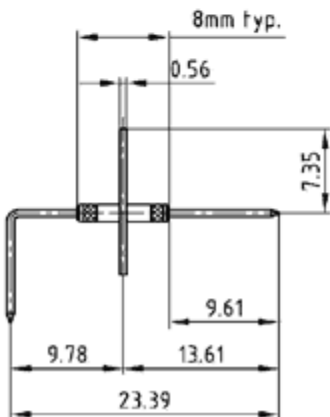
straight



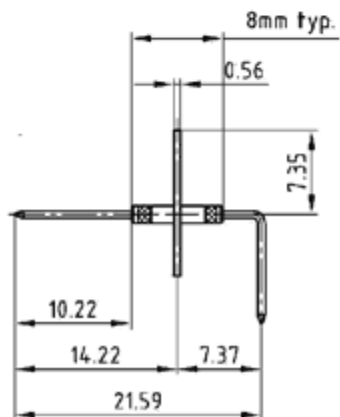
90° both



90° left



90° right



Dimensions for filter plates

| Plate length (L) | No. of Filter per row | X (mm) | y (mm) |
|----------------------|-----------------------|--------|--------|
| Size A (26.92 mm) | 2 | 2.00 | 12.46 |
| | 3 | 4.00 | 10.46 |
| | 4 | 6.00 | 10.46 |
| | 5 | 8.00 | 8.46 |
| | 6 | 10.00 | 8.46 |
| Size C (65.02 mm) | 10 | 18.00 | 22.51 |
| | 11 | 20.00 | 22.51 |
| | 12 | 22.00 | 20.51 |
| | 13 | 24.00 | 20.51 |
| | 14 | 26.00 | 18.51 |
| | 15 | 28.00 | 18.51 |
| | 16 | 30.00 | 16.51 |
| | 17 | 32.00 | 16.51 |
| | 18 | 34.00 | 14.51 |
| | 19 | 36.00 | 14.51 |
| | 20 | 38.00 | 12.51 |
| | 21 | 40.00 | 12.51 |
| | 22 | 42.00 | 10.51 |
| | 23 | 44.00 | 10.51 |
| 24 | 46.00 | 8.51 | |
| 25 | 48.00 | 8.51 | |

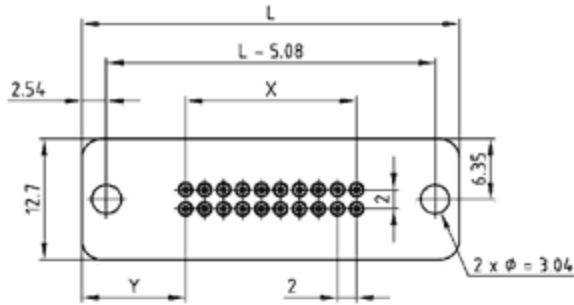
Dimensions for filter plates

| Plate length (L) | No. of Filter per row | X (mm) | y (mm) | |
|----------------------|-----------------------|--------|--------|-------|
| Size B (39.62 mm) | 3 | 4.00 | 16.81 | |
| | 4 | 6.00 | 16.81 | |
| | 5 | 8.00 | 14.81 | |
| | 6 | 10.00 | 14.81 | |
| | 7 | 12.00 | 12.81 | |
| | 8 | 14.00 | 12.81 | |
| | 9 | 16.00 | 10.81 | |
| | 10 | 18.00 | 10.81 | |
| | 11 | 20.00 | 8.81 | |
| | 12 | 22.00 | 18.81 | |
| | Size D (90.42 mm) | 20 | 38.00 | 25.21 |
| | | 21 | 40.00 | 25.21 |
| 22 | | 42.00 | 23.21 | |
| 23 | | 44.00 | 23.21 | |
| 24 | | 46.00 | 21.21 | |
| 25 | | 48.00 | 21.21 | |
| 26 | | 50.00 | 19.21 | |
| 27 | | 52.00 | 19.21 | |
| 28 | | 54.00 | 17.21 | |
| 29 | | 56.00 | 17.21 | |
| 30 | | 58.00 | 15.21 | |
| 31 | | 60.00 | 15.21 | |
| 32 | | 62.00 | 13.21 | |
| 33 | | 64.00 | 13.21 | |
| 34 | | 66.00 | 11.21 | |
| 35 | | 68.00 | 11.21 | |
| 36 | 70.00 | 9.21 | | |
| 37 | 72.00 | 9.21 | | |



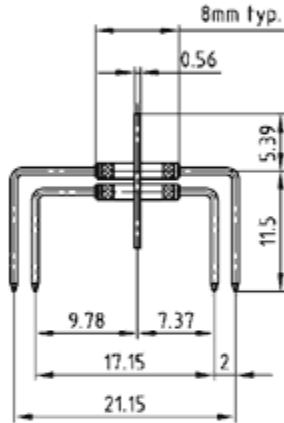
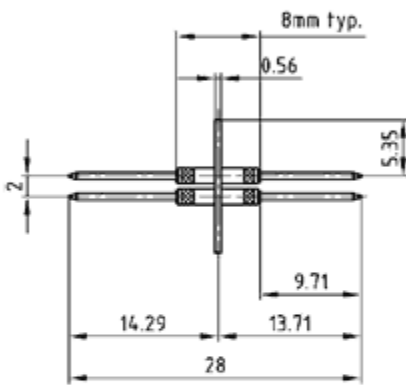
Filter plate
2-row
Lead spacing 2,00 mm

Directive 2002/95/EC
"RoHS"
Compliant



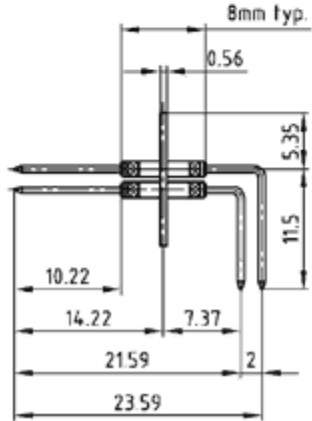
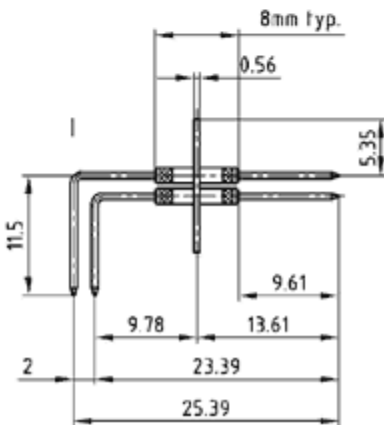
straight

90° both



90° left

90° right



Dimensions for filter plates

| Plate length (L) | No. of Filter per row | X (mm) | y (mm) |
|----------------------|-----------------------|--------|--------|
| Size A (26.92 mm) | 2 | 2.00 | 12.46 |
| | 3 | 4.00 | 10.46 |
| | 4 | 6.00 | 10.46 |
| | 5 | 8.00 | 8.46 |
| | 6 | 10.00 | 8.46 |
| Size C (65.02 mm) | 10 | 18.00 | 22.51 |
| | 11 | 20.00 | 22.51 |
| | 12 | 22.00 | 20.51 |
| | 13 | 24.00 | 20.51 |
| | 14 | 26.00 | 18.51 |
| | 15 | 28.00 | 18.51 |
| | 16 | 30.00 | 16.51 |
| | 17 | 32.00 | 16.51 |
| | 18 | 34.00 | 14.51 |
| | 19 | 36.00 | 14.51 |
| | 20 | 38.00 | 12.51 |
| | 21 | 40.00 | 12.51 |
| | 22 | 42.00 | 10.51 |
| | 23 | 44.00 | 10.51 |
| 24 | 46.00 | 8.51 | |
| 25 | 48.00 | 8.51 | |

Dimensions for filter plates

| Plate length (L) | No. of Filter per row | X (mm) | y (mm) | |
|----------------------|-----------------------|--------|--------|-------|
| Size B (39.62 mm) | 3 | 4.00 | 16.81 | |
| | 4 | 6.00 | 16.81 | |
| | 5 | 8.00 | 14.81 | |
| | 6 | 10.00 | 14.81 | |
| | 7 | 12.00 | 12.81 | |
| | 8 | 14.00 | 12.81 | |
| | 9 | 16.00 | 10.81 | |
| | 10 | 18.00 | 10.81 | |
| | 11 | 20.00 | 8.81 | |
| | 12 | 22.00 | 18.81 | |
| | Size D (90.42 mm) | 20 | 38.00 | 25.21 |
| | | 21 | 40.00 | 25.21 |
| 22 | | 42.00 | 23.21 | |
| 23 | | 44.00 | 23.21 | |
| 24 | | 46.00 | 21.21 | |
| 25 | | 48.00 | 21.21 | |
| 26 | | 50.00 | 19.21 | |
| 27 | | 52.00 | 19.21 | |
| 28 | | 54.00 | 17.21 | |
| 29 | | 56.00 | 17.21 | |
| 30 | | 58.00 | 15.21 | |
| 31 | | 60.00 | 15.21 | |
| 32 | | 62.00 | 13.21 | |
| 33 | | 64.00 | 13.21 | |
| 34 | | 66.00 | 11.21 | |
| 35 | 68.00 | 11.21 | | |
| 36 | 70.00 | 9.21 | | |
| 37 | 72.00 | 9.21 | | |