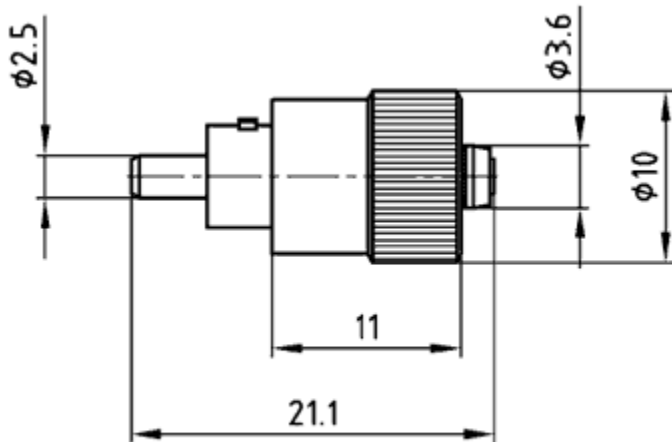


## FC-Connectors ( Singlemode / Multimode )



Directive 2002/95/EC  
„RoHS“  
Compliant



KATI IYLA

### Technical Data

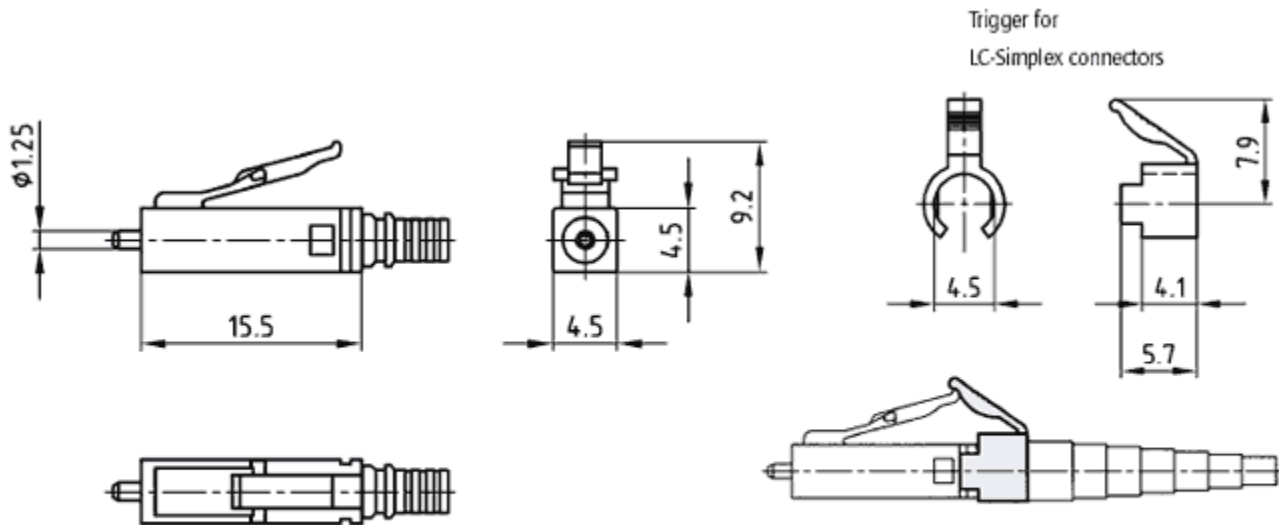
---

- Housing material: Metal
- Plating: Nickel
- Ferrule: Ceramic
- Temperature range:  $-40^{\circ}\text{C}$  to  $+80^{\circ}\text{C}$
- Mating cycles: 500
- Connectors are supplied with dust caps



## LC-Simplex-Connectors ( Singlemode / Multimode )

Directive 2002/95/EC  
„RoHS“  
Compliant



KATIIYMA KATIIYNA

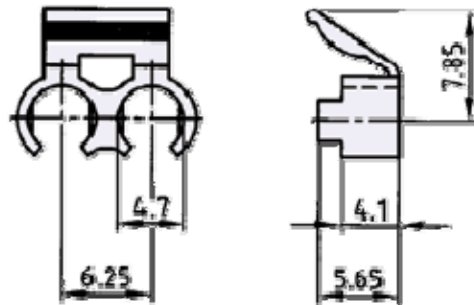
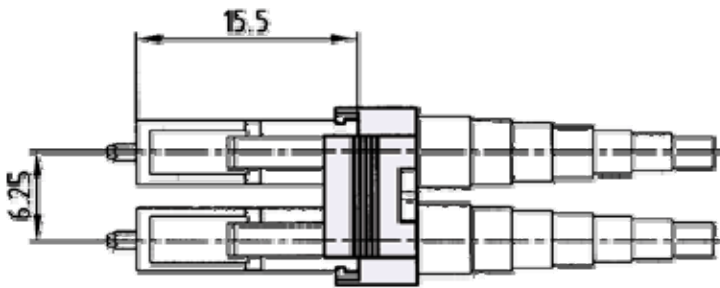
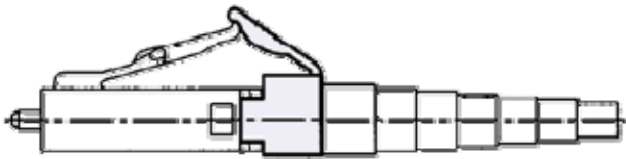
## Technical Data

- Housing material: Plastic (UL 94V-0)
- Ferrule: Ceramic
- Temperature range:  $-40^{\circ}\text{C}$  to  $+75^{\circ}\text{C}$
- Mating cycles: 1.000
- Connectors are supplied with dust caps



## C-Duplex-Trigger ( Singlemode / Multimode )

Directive 2002/95/EC  
„RoHS“  
Compliant

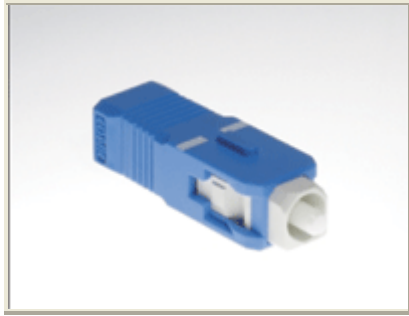


The LC-Duplex connector can be assembled with the removal piece.  
The LC-Simplex connectors are inserted into the removal piece and  
locked into position. Proper alignment is assured when used with  
LC-Duplex adapters.

## Technical Data

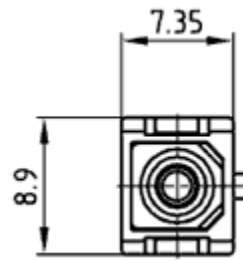
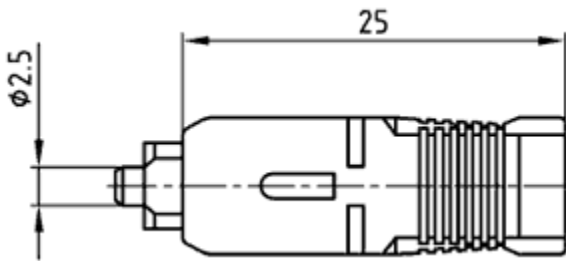
---

- Housing material: Plastic (UL 94V-0)
- Temperature range: -40 °C to + 75 °C



## SC-Simplex-Connectors ( Singlemode / Multimode )

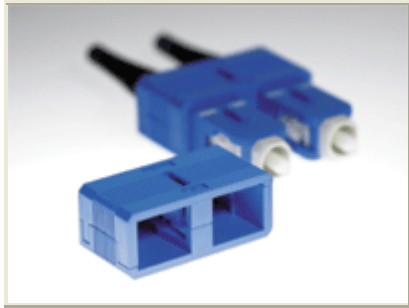
Directive 2002/95/EC  
„RoHS“  
Compliant



## Technical Data

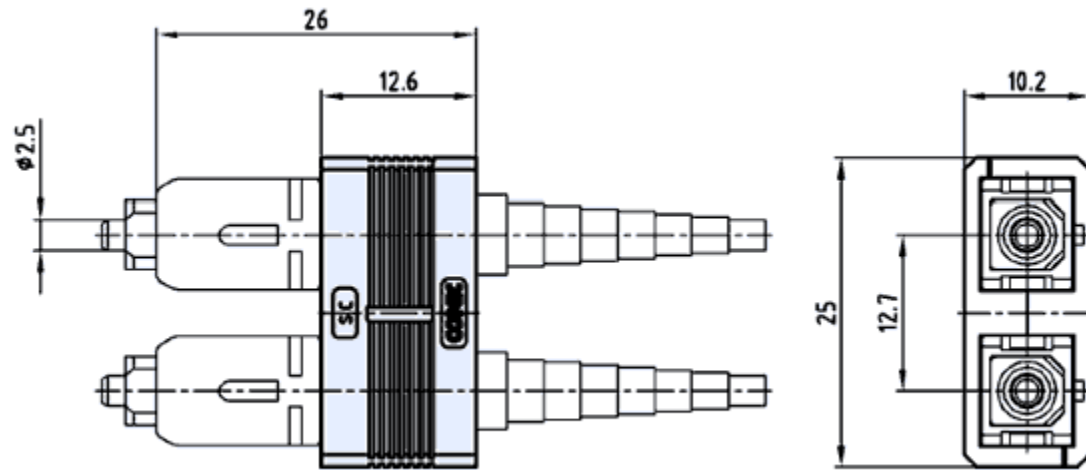
---

- Housing material: Plastic (UL 94V-0)
- Ferrule: Ceramic
- Temperature range:  $-40^{\circ}\text{C}$  to  $+80^{\circ}\text{C}$
- Mating cycles: 1.000
- Connectors are supplied with dust caps



## SC-Duplex-Carrier Housing ( Singlemode / Multimode )

Directive 2002/95/EC  
"RoHS"  
Compliant



KAT11YHA

A carrier housing is used in conjunction with SC-Simplex connectors by inserting the SC-Simplex connectors to create the SC-Duplex variation. The SC-Simplex connectors are pushed into the carrier housing and locked into the position proper alignment is assured.

### Technical Data

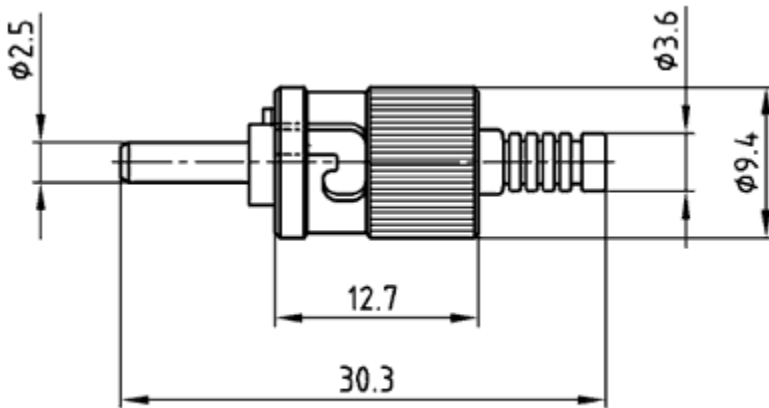
---

- Housing material: Plastic (UL 94V-0)
- Temperature range: -40 °C to + 80 °C

## ST-Connectors ( Singlemode / Multimode )



Directive 2002/95/EC  
„RoHS“  
Compliant



KATIYYKA

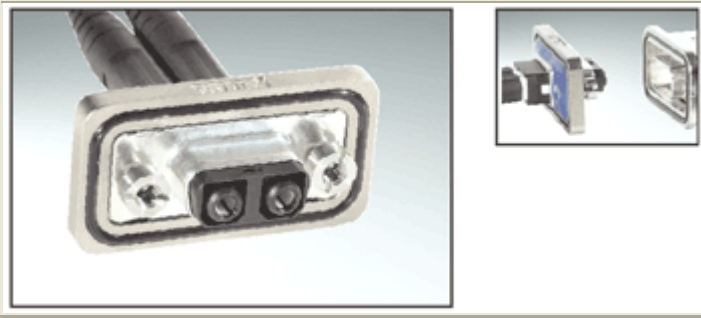
### Technical Data

---

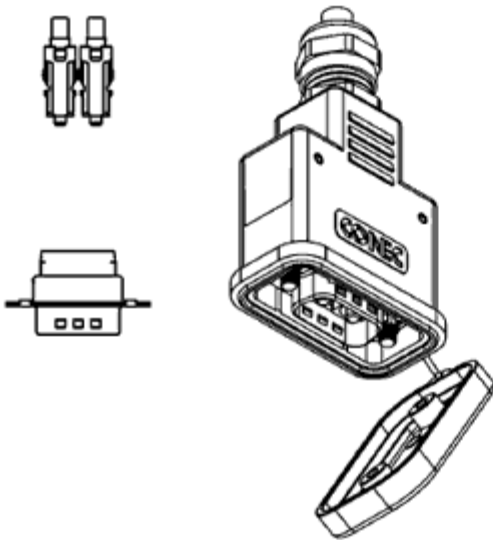
- Housing material: Metal
- Plating: Nickel
- Ferrule: Ceramic
- Temperature range:  $-40^{\circ}\text{C}$  to  $+80^{\circ}\text{C}$
- Mating cycles: 500
- Connectors are supplied with dust caps

# Fiber Optic Outdoor Connector

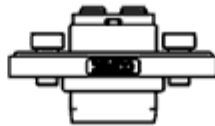
Directive 2002/95/EC  
„RoHS“  
Compliant



**A** Hood System with Connector



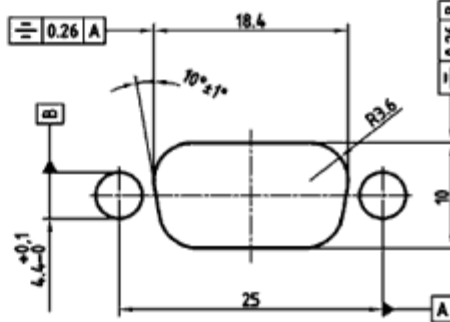
**B** Panel Adapter



**C** Panel Connector (2x)



Panel Cut Out



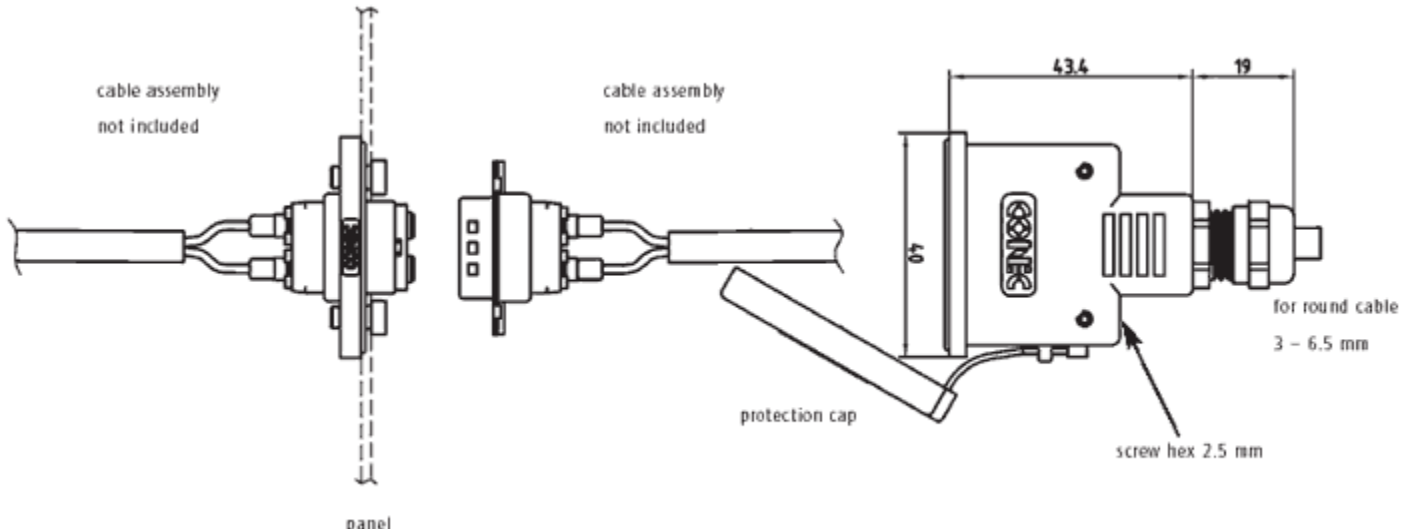
## Characteristics

- Duplex connector
- Based on SC-plugs
- Multimode and Singlemode
- IP67
- D-Sub metal housing
- D-Sub panel
- Captive dust boot made of metal IP65

## Technical Data

- Temperature range  $-40\text{ }^{\circ}\text{C}$  to  $+80\text{ }^{\circ}\text{C}$
- Mating cycles: 100
- Ferrule: Ceramic

## System Overview



7961A112