

DK-5000 Series



FEATURES

Mating : DK series have confirmed mating using a locking mechanism.

Cable Terminations : Easy termination to wires using crimp contacts.

Standard : This connector uses UL94V-0 material for the housing.

APPLICATION

DDK's DK SERIES connector has been developed for signal and power supply of industrial equipment. These connectors are available for connection of cable to cable and connection of cable to substrate. Various styles are available for many applications.

The method of termination is crimping for cable mount parts and solder dip for PCB mounted parts.

SPECIFICATIONS

ITEM	DK-5200
Voltage Rating	AC640V(r.m.s.)
Dielectric Withstanding Voltage	AC3,000V(r.m.s.)
Insulation Resistance	DC500V ƒ 1,000 MΩ min.
Contact Resistance	2m Ω max.
Operating Temperature	-55°C~ 105°C
Contact Pitch	10.16mm

Current Rating	Applicable Wire (AWG)			
	# 10	# 12	# 14	# 16
	30A	25A	19A	16 A

STANDARD

Applying for UL , C - UL , TÜV

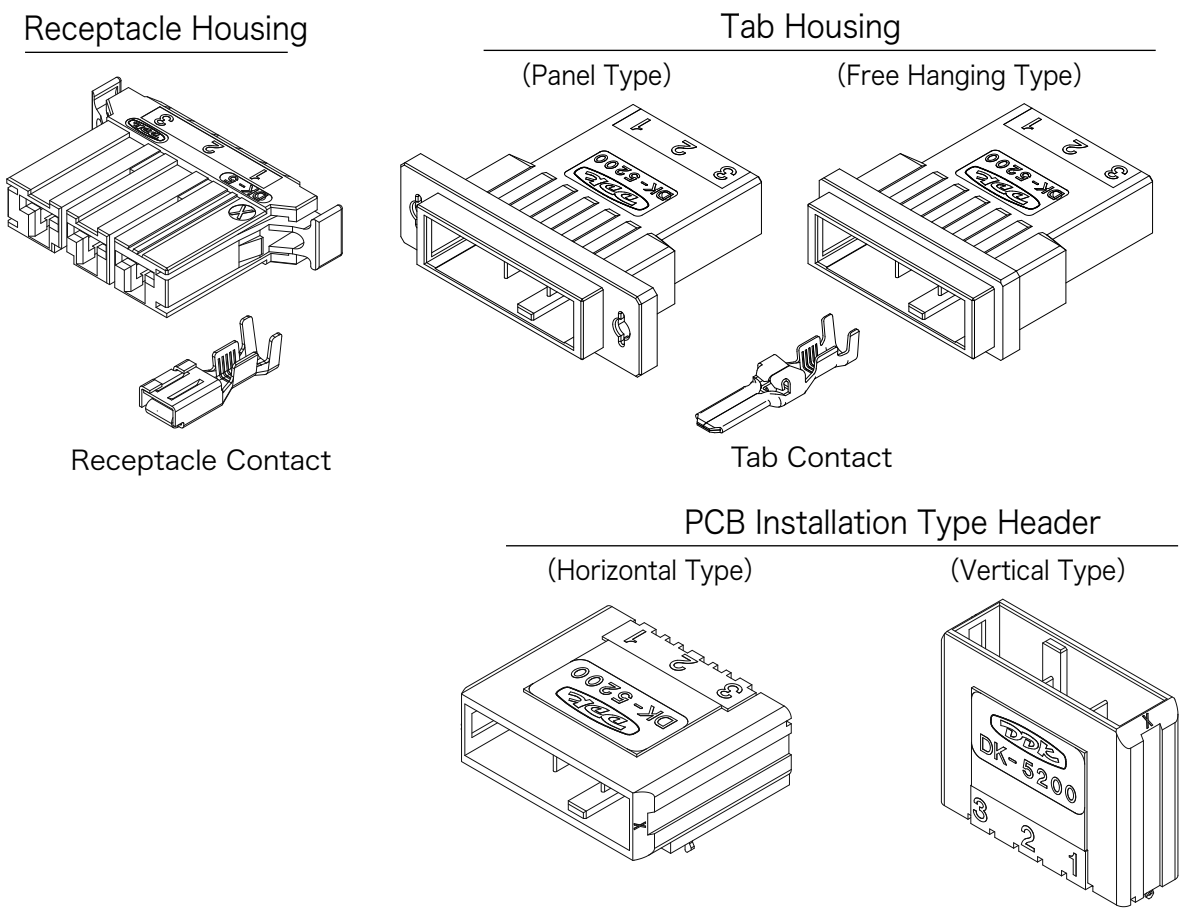
MATERIAL / FINISH

Contact : Copper alloy / Gold over nickel plating ,
solder over nickel plating (substrate installation type)

Housing : PBT resin (UL94V-0) / Black

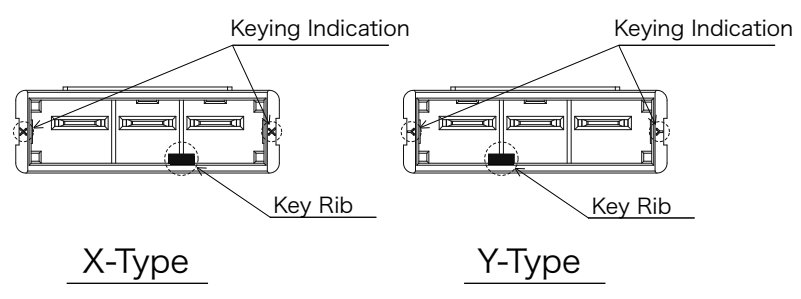
DK-5200S Series

▼ PRODUCTS LIST



Number of contacts	Keying	Receptacle Housing	Tab Housing		PCB Installation Type Header	
			Panel Type	Free Hanging Type	Horizontal Type	Vertical Type
2	X	DK-5200S-02R	DK-5200S-02P	DK-5200S-02F	DK-5200S-02H- □	DK-5200S-02V- □
	Y	DK-5200S-02RY	DK-5200S-02PY	DK-5200S-02FY	DK-5200S-02HY- □	DK-5200S-02VY- □
3	X	DK-5200S-03R	DK-5200S-03P	DK-5200S-03F	DK-5200S-03H- □	DK-5200S-03V- □
	Y	DK-5200S-03RY	DK-5200S-03PY	DK-5200S-03FY	DK-5200S-03HY- □	DK-5200S-03VY- □
4	X	DK-5200S-04R			DK-5200S-04H- □	DK-5200S-04V- □
	Y	DK-5200S-04RY			DK-5200S-04HY- □	DK-5200S-04VY- □
6	X	DK-5200S-06R			DK-5200S-06H- □	DK-5200S-06V- □
	Y	DK-5200S-06RY			DK-5200S-06HY- □	DK-5200S-06VY- □

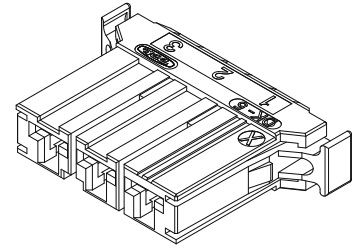
► Keying



DK-5200S Series

Unit : mm

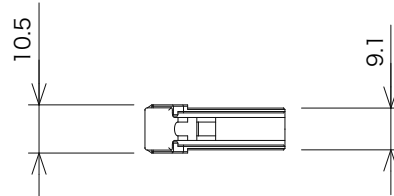
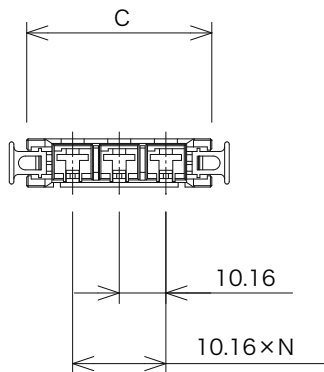
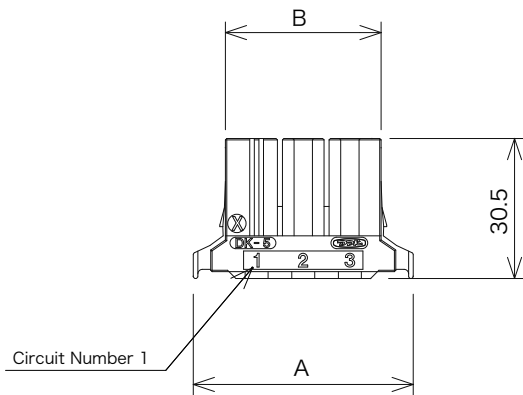
■ Receptacle Housing



DK-5200S-03R □

Keying
 Omit : X-Key
 Y : Y-Key

Number of contacts	P / N	A	B	C
2	DK-5200S-02R □	35.76	23.76	28.16
3	DK-5200S-03R □	45.92	33.92	38.32
4	DK-5200S-04R □	56.08	44.08	48.48
6	DK-5200S-06R □	76.40	64.40	68.80



DK-5200S Series

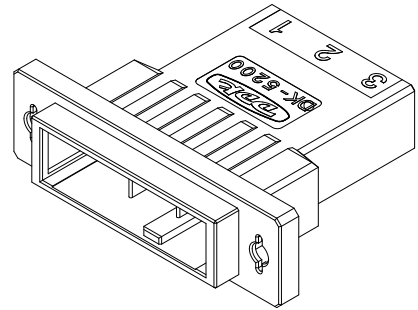
Unit : mm

■ Tab Housing

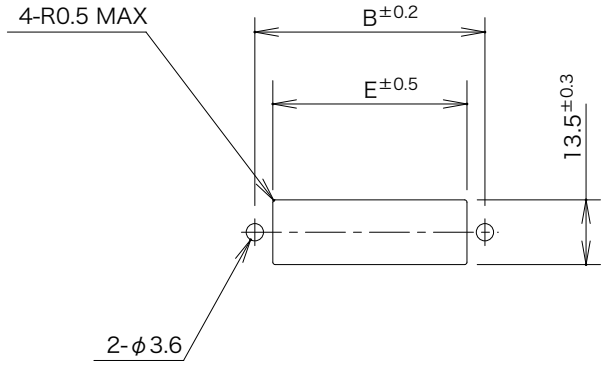
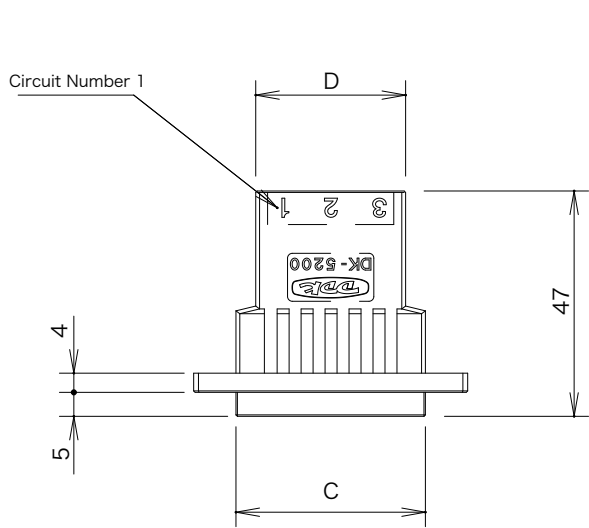
◆ Panel Type

DK-5200S-03P □

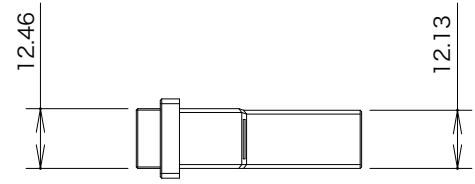
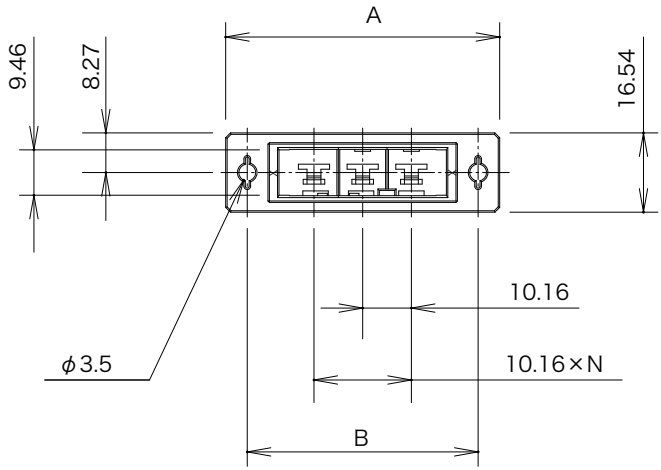
Keying
 Omit : X-Key
 Y : Y-Key



Number of contacts	P / N	A	B	C	D	E
2	DK-5200S-02P □	47	38	29.36	21.11	30.4
3	DK-5200S-03P □	57	48	39.52	31.27	40.5



Panel Cutout Dimensions



DK-5200S Series

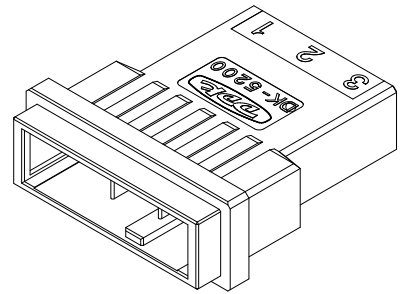
Unit : mm

■ Tab Housing

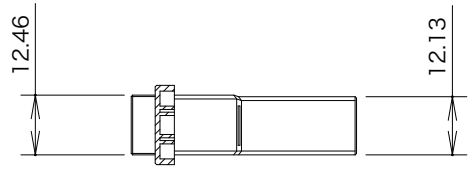
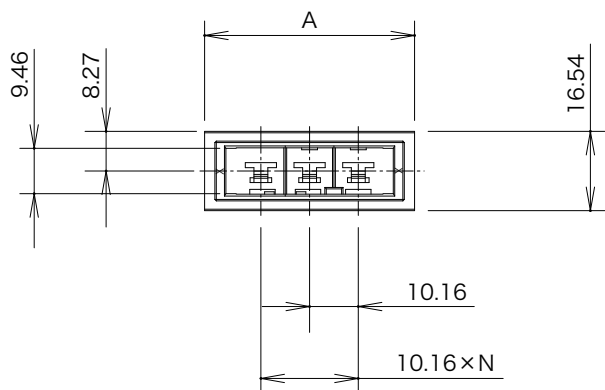
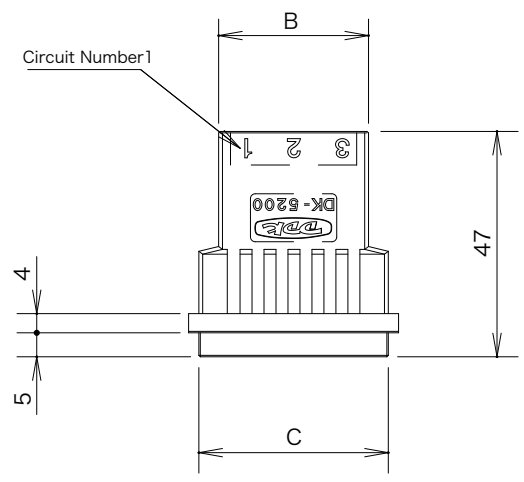
◆ Free Hanging Type

DK-5200S-03F □

Keying
 Omit : X-Key
 Y : Y-Key



Number of contacts	P / N	A	B	C
2	DK-5200S-02F □	33.44	21.11	29.36
3	DK-5200S-03F □	43.60	31.27	39.52



DK-5200S Series

Unit : mm

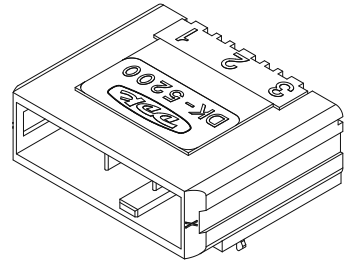
■ PCB Installation Type Header

◆ Horizontal Type

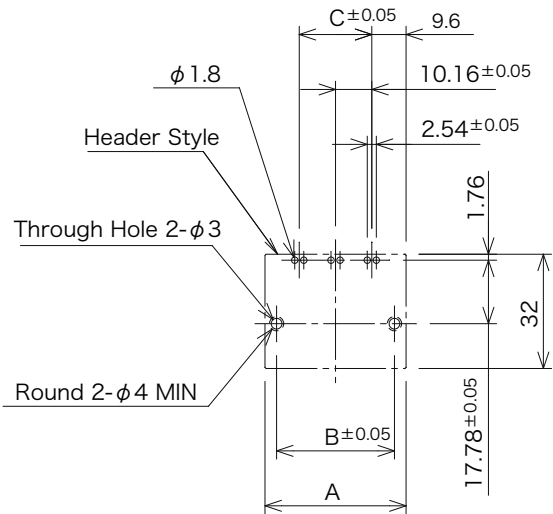
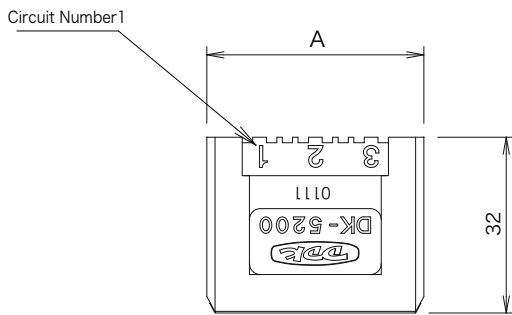
DK-5200S-03H □ - □

Keying
Omit : X-Key
Y : Y-Key

Contact Plating
Omit : Gold 0.38 μm Min.
3 : Gold 0.76 μm Min.

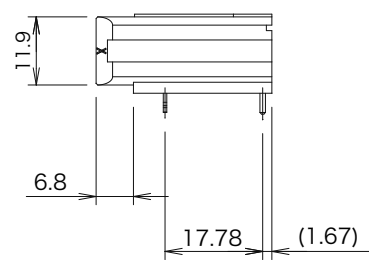
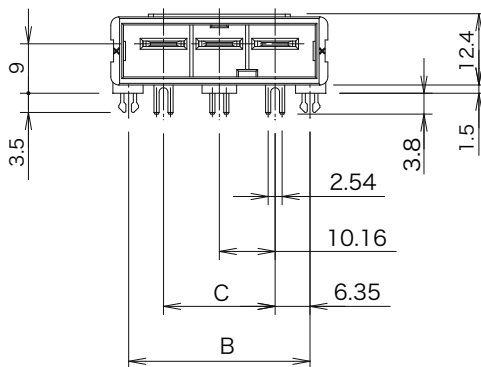


Number of contacts	P / N	A	B	C
2	DK-5200S-02H □ - □	29.36	22.86	10.16
3	DK-5200S-03H □ - □	39.52	33.02	20.32
4	DK-5200S-04H □ - □	49.68	43.18	30.48
6	DK-5200S-06H □ - □	70.00	63.50	50.80



PCB Mounting Dimensions

PCB Thickness : 1.6~2.4mm



DK-5200S Series

Unit : mm

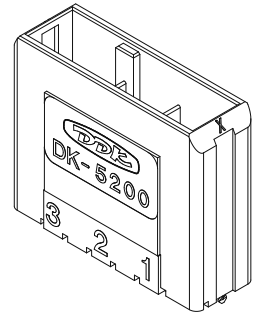
■ PCB Installation Type Header

◆ Vertical Type

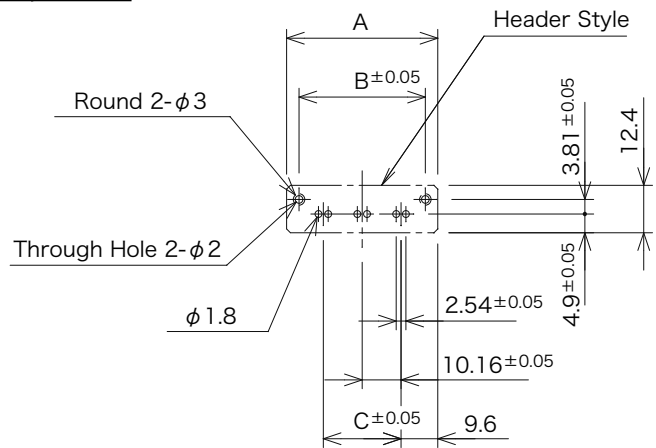
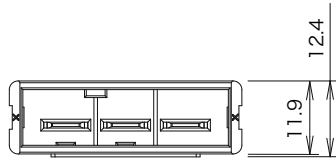
DK-5200S-03V □ - □

Keying
Omit : X-Key
Y : Y-Key

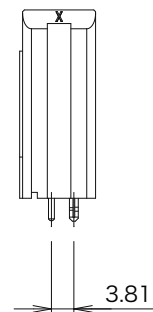
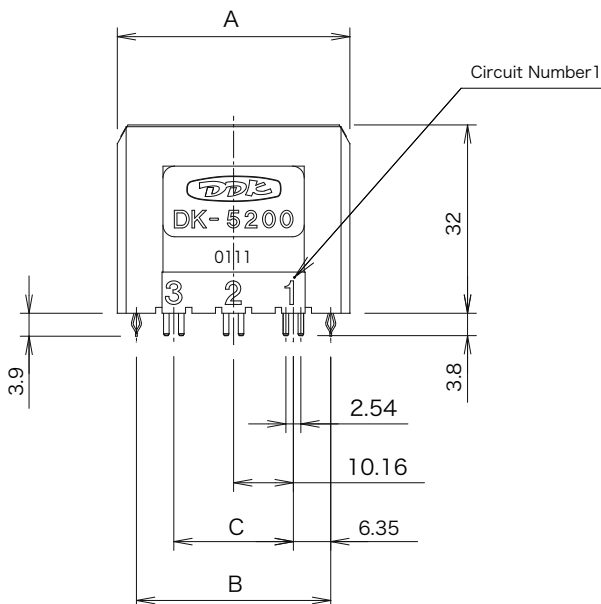
Contact Plating
Omit : Gold 0.38μm Min.
3 : Gold 0.76μm Min.



Number of contacts	P / N	A	B	C
2	DK-5200S-02V □ - □	29.36	22.86	10.16
3	DK-5200S-03V □ - □	39.52	33.02	20.32
4	DK-5200S-04V □ - □	49.68	43.18	30.48
6	DK-5200S-06V □ - □	70.00	63.50	50.80



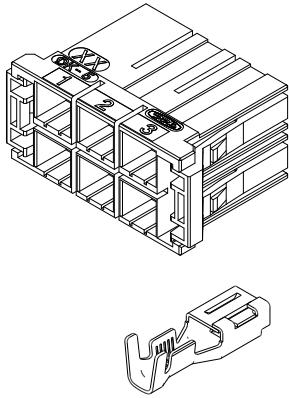
PCB Mounting Dimensions
PCB Thickness : 1.6~2.4mm



DK-5200M Series

▼ PRODUCTS LIST

Receptacle Housing

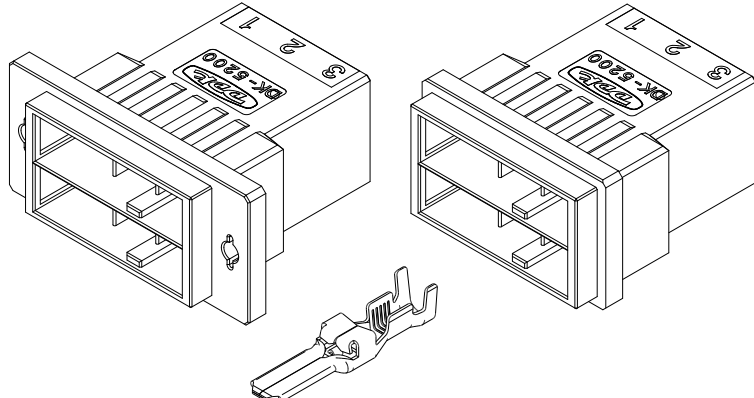


Receptacle Contact

Tab Housing

(Panel Type)

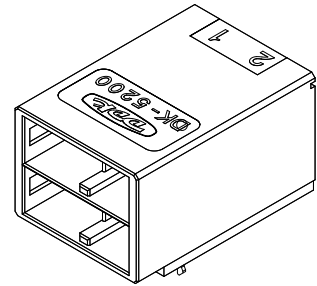
(Free Hanging Type)



Tab Contact

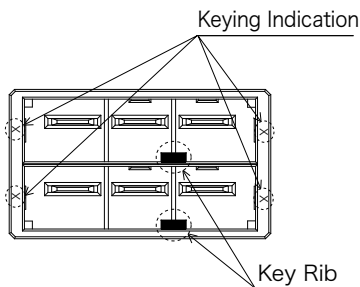
PCB Installation Type Header

(Vertical Type)

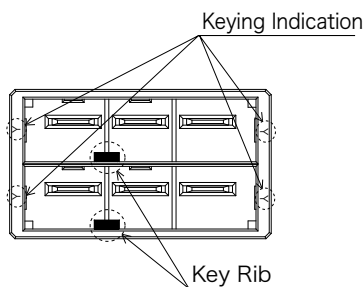


Number of contacts	Keying	Receptacle Housing	Tab Housing		PCB Installation Type Header
			Paanel Type	Free Hanging Type	Vertical Type
4	XX	DK-5200M-04RXX	DK-5200M-04PXX	DK-5200M-04FXX	DK-5200M-04HXX- □
	YY	DK-5200M-04RYY	DK-5200M-04PYY	DK-5200M-04FYY	DK-5200M-04HYY- □
	XY	DK-5200M-04RXY	DK-5200M-04PXY	DK-5200M-04FXY	DK-5200M-04HXY- □
6	XX	DK-5200M-06RXX	DK-5200M-06PXX	DK-5200M-06FXX	
	YY	DK-5200M-06RYY	DK-5200M-06PYY	DK-5200M-06FYY	
	XY	DK-5200M-06RXY	DK-5200M-06PXY	DK-5200M-06FXY	

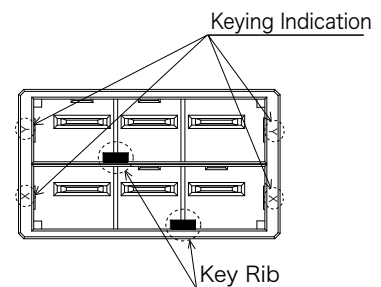
► Keying



XX-Type



YY-Type



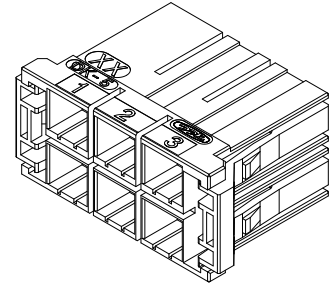
XY-Type

DK-5200M Series

Unit : mm

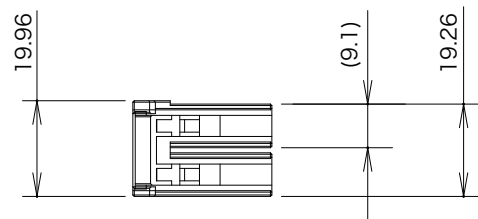
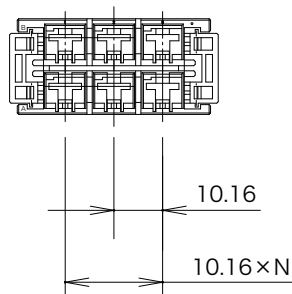
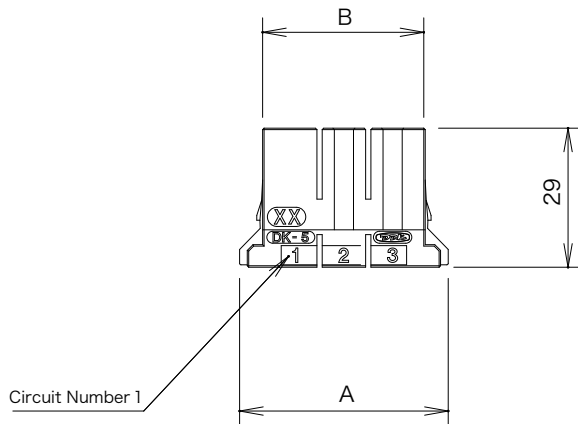
■ Receptacle Housing

DK-5200M-06R □ □



Keying
 Omit : XX-Key
 YY : YY-Key
 XY : XY-Key

Number of contacts	P / N	A	B
4	DK-5200M-04R □ □	33.36	23.76
6	DK-5200M-06R □ □	43.52	33.92



DK-5200M Series

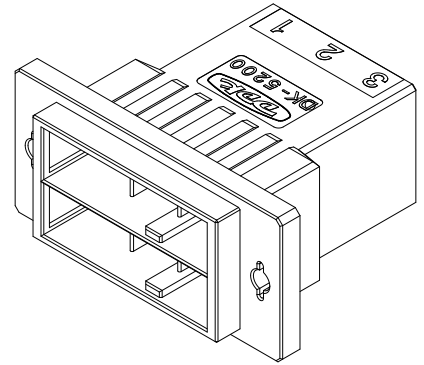
Unit : mm

■ Tab Housing

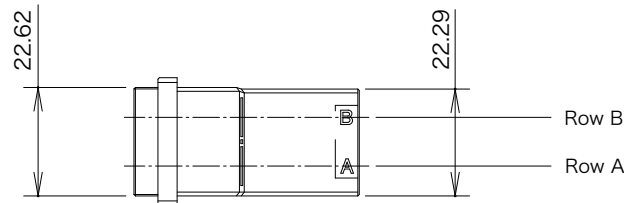
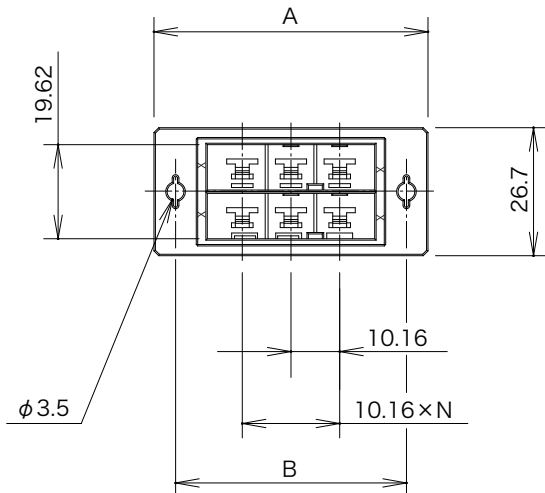
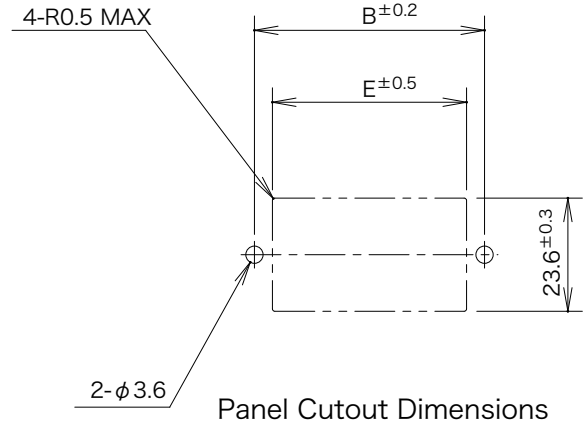
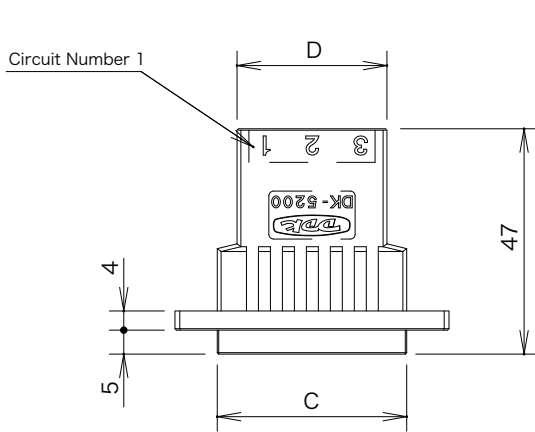
◆ Panel Type

DK-5200M-06P □ □

Keying
 Omit : XX-Key
 YY : YY-Key
 XY : XY-Key



Number of contacts	P / N	A	B	C	D	E
4	DK-5200M-04P □ □	47	38	29.36	21.11	30.4
6	DK-5200M-06P □ □	57	48	39.52	31.27	40.5



DK-5200M Series

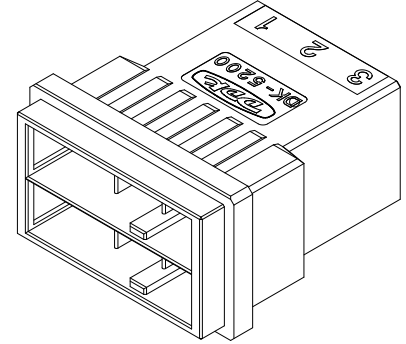
Unit : mm

■ Tab Housing

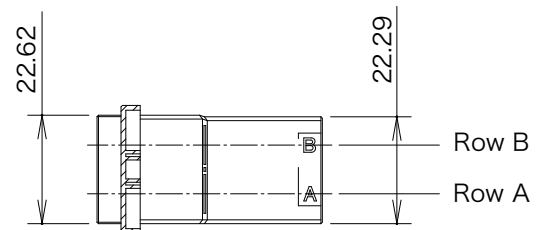
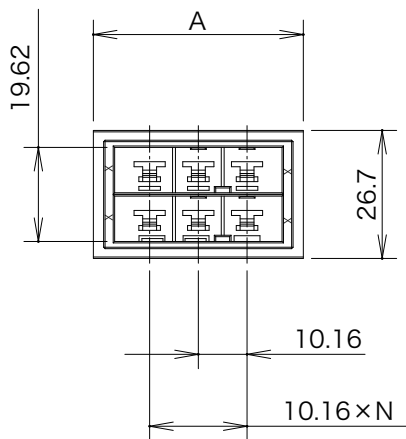
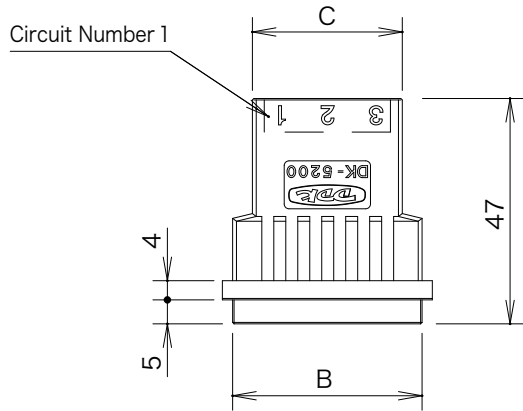
◆ Free Hanging Type

DK-5200M-06F □ □

Keying
 Omit : XX-Key
 YY : YY-Key
 XY : XY-Key



Number of contacts	P / N	A	B	C
4	DK-5200M-04F □ □	33.44	29.36	21.11
6	DK-5200M-06F □ □	43.60	39.52	31.27



DK-5200M Series

Unit : mm

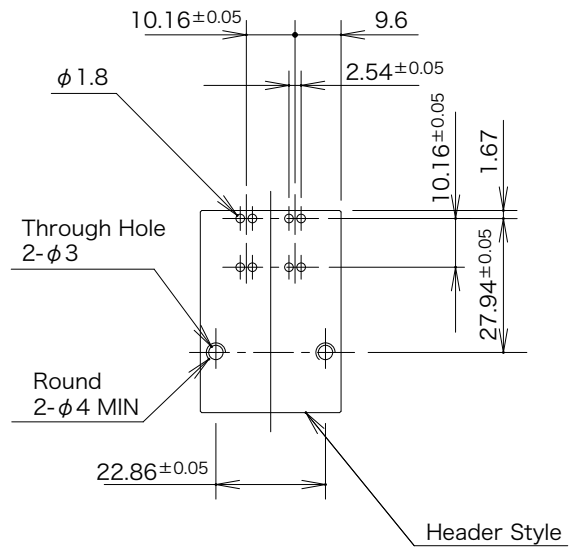
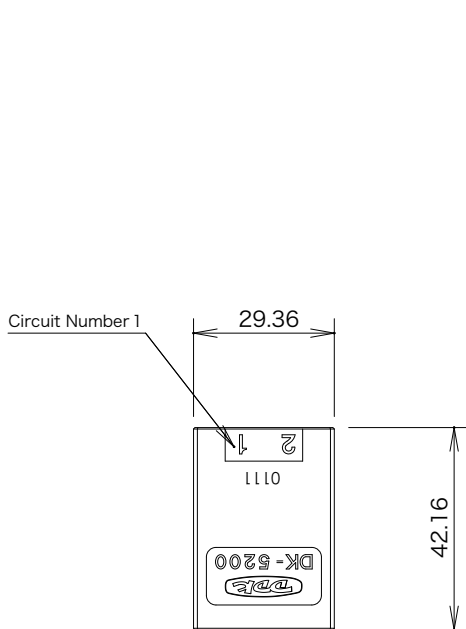
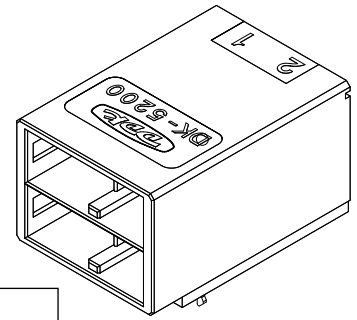
■ PCB Installation Type Header

◆ Horizontal Type

DK-5200M-04H □ □ - □

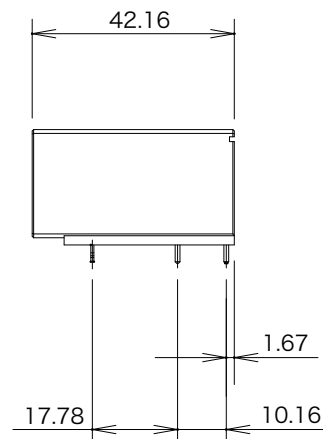
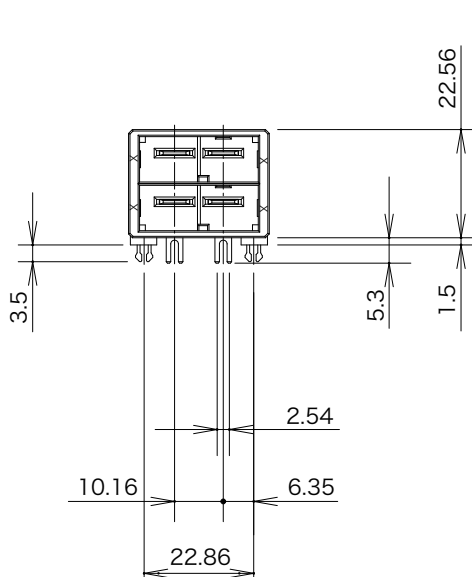
Keying
 Omit : XX-Key
 YY : YY-Key
 XY : XY-Key

Contact Plating
 Omit : Gold 0.38μm Min.
 3 : Gold 0.76μm Min.



PCB Mounting Dimensions

PCB Thickness : 1.6~2.4mm



DK-5200M Series Contact

Unit : mm

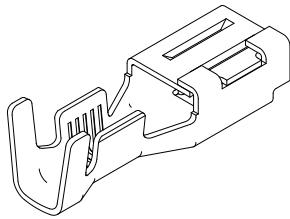
DK-5 Contact

Applicable Wire		Insulator Diameter (mm)	Contact Size	Contact P / N		Contact Quantity(pcs)
AWG	mm ²			Receptacle Contact	Tab Contact	
16	1.25	3 ~ 3.8	S	DK-5RECSST □ -1000	DK-5TABSST □ -1000	1.000/Reel
14	2.20			DK-5RECSLP □ -100	DK-5TABS LP □ -100	100/Bag
12	3.50	4 ~ 5.2	M	DK-5RECMST □ -1000	DK-5TABMST □ -1000	1.000/Reel
10	5.50			DK-5RECMLP □ -100	DK-5TABMLP □ -100	100/Bag

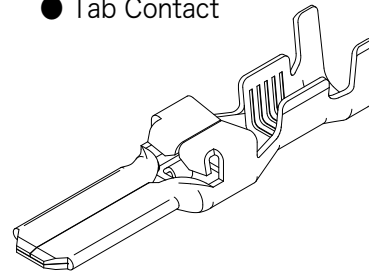
P / N (ex.) DK-5RECSST □ -1000

Contact Plating
 1: Gold 0.38 μm Min.
 3: Gold 0.76 μm Min.
 6: Silver 2.5 μm Min.

● Receptacle Contact



● Tab Contact



■ Crimp Tool

Contact P / N	Applicable Wire		Insulator Diameter (mm)	Wire Range Mark	Crimp Tool	
	AWG	mm ²			Hand Crimp Tool	Crimp Machine Die
DK-5TABS LP □ -100	14 ~ 16	1.25 ~ 2.2	3 ~ 3.8	S	357J-22795	/
DK-5RECS LP □ -100						
DK-5TABSST □ -1000						
DK-5RECSST □ -1000						
DK-5TABMLP □ -100	10 ~ 12	3.5 ~ 5.5	4 ~ 5.2	M	357J-22796	/
DK-5RECMLP □ -100						
DK-5TABMST □ -1000						
DK-5RECMST □ -1000						
						AP-A22797
						AP-A22798