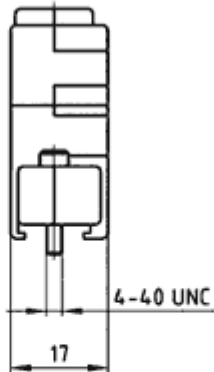
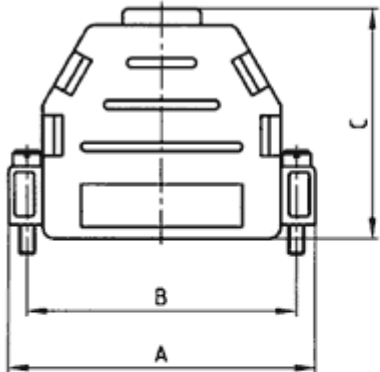


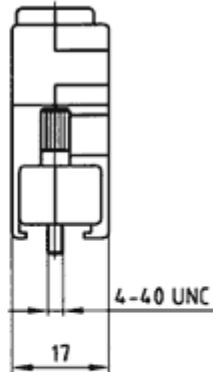


Directive 2002/95/EC  
 „RoHS“  
 Compliant

Plastic hood  
 with straight cable exit



short screws



Jack screws



No. of Pos.	A	B	C
9	31.5	25.0	36.0
15	40.0	33.3	40.0
25	53.5	47.0	43.0

This series of Straight Cable Exit Hoods are available in Metallized Plastic from 9 to 25 position. They are easy to assemble and come with Short Screwdriver Actuated Screws or Longer Jack Screws. They have an Integrated Strain Relief System.

**Material:**

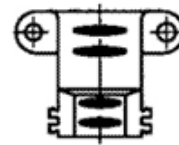
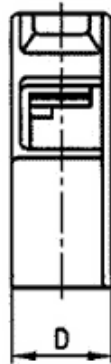
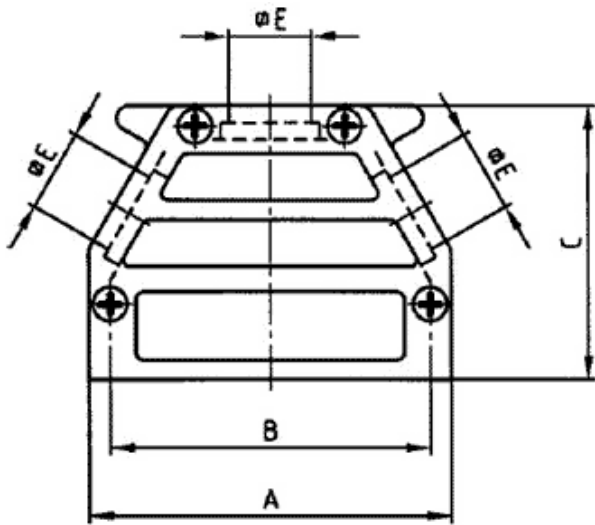
Hood: ABS UL 94 V-0 rated metallized

Screws: brass, nickel plated



Metal hood  
EMI/RFI shielding

Directive 2002/95/EC  
"RoHS"  
Compliant



Cable clamp  
(order separately)

### Metal Hood EMI/RFI shielding

No. of pos.	A	B	C=Type 1	C=Type 2	D	E
9	32,0	25,0	40,0	55,0	14,8	12,1
15	39,3	33,3	40,0	55,0	14,8	12,1
25	53,2	47,0	40,0	55,0	14,8	12,1
37	69,5	63,5	40,0	55,0	14,8	12,1
50	67,0	61,1	40,0	55,0	17,8	14,6

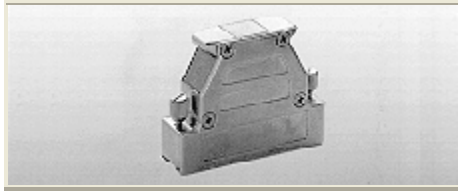
The EMI/RFI shielding metal hoods for 15, 25, 37 and 50 ways have 3 entries. The 9 ways hood has 2 entries. Hoods with 2 or 3 entries will also allow cables to be looped through them. Entries which are not in use are blanked off with slide-in blanking plugs. Strain relief for the cables and the connection screening is provided by a cable clamp or by a crimped ferrule which is crimped into a hexagonal configuration.

**TECHNICAL DATA:**

Hood: die-cast zinc

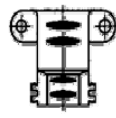
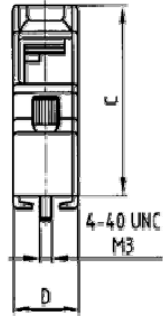
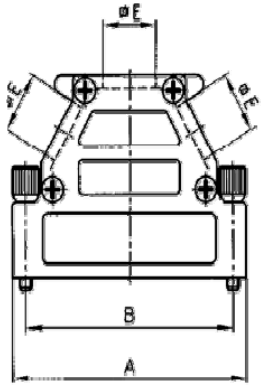
**Delivery includes:**

Hood with covers, 1 or 2 blanking plugs, 3 or 4 screws for fixing, 1 earth screw, shouldered screws to retain connector



Metal hood  
EMI/RFI shielding  
with jack screws

Directive 2002/95/EC  
„RoHS“  
Compliant



Cable clamp

(order separately)

The EMI/RFI metal hoods with jack screw for 9-, 15-, 25-, 37-, and 50- pos connectors have different entries and will thus also allow cables to be looped through them. Entries which are not in use are blanked off with slide-in blanking plugs.

Type 1:

9 pos hoods have one straight cable entry  
15 pos hoods have one straight and one side cable entry  
25, 37 and 50 pos hoods have one straight and two side cable entries.

Type 2:

9 pos hoods have one side cable entry  
15 pos hoods have one side cable entry  
25, 37 and 50 pos hoods have one straight and two side cable entries.

No. of pos.	A	B	C=Type1	C=Type2	D	ØE
9	32.0	25.0	35.5	50.5	14.8	12.1
15	39.3	33.3	40.0	55.0	14.8	12.1
25	53.2	47.0	40.0	55.0	14.8	12.1
37	69.5	63.5	40.0	57.0	14.8	12.1
50	67.0	61.1	42.0	57.0	17.8	14.6

**Technical Data:**

Hood: Die-cast zinc

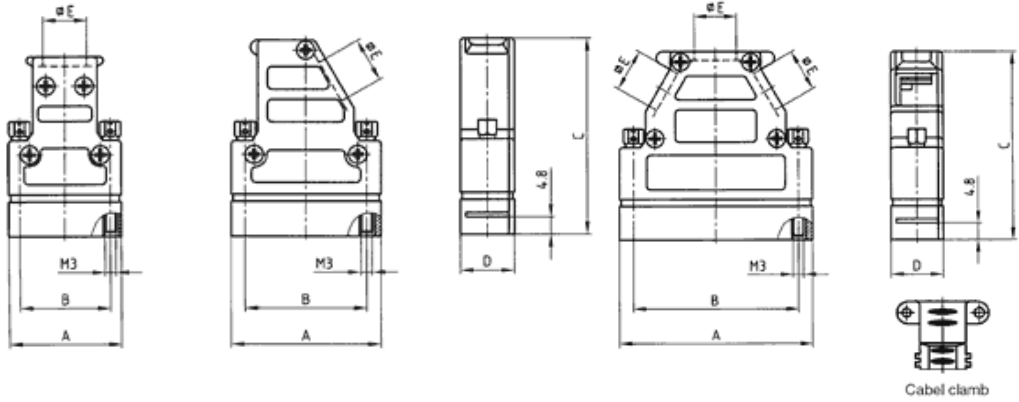
**Delivery Includes:**

Hood with covers, 1 or 2 blanking plugs,  
4 screws for fixing, 1 earth screw, 2 jack screw



Directive 2002/95/EC  
 „RoHS“  
 Compliant

Metal hood  
 EMI/RFI Shielding  
 with jack screws  
 flush mounted to the  
 panel



No. of Pos	A	B	C	D
9	32.0	25.0	49.5	14.8
15	39.4	33.3	54.0	14.8
25	53.2	47.0	54.0	14.8
37	69.5	63.5	56.0	14.8
50	67.0	61.1	56.0	17.6

This series of Die Cast Hoods provide excellent EMI/RFI Shielding and are designed for High Frequency applications. They are available in 9, 15, 25, 37 and 50 position sizes. The 9 position size comes with straight cable exit, 15 position size comes with side cable exit and the 25, 37 and 50 position come with 1 straight and 2 side cable exits. Standard are M3 Thumb Screws with Screw-driver slot. These are designed to be Flush Mounted to the panel so high frequency noise cannot pass through. An Integrated Ground Screw Terminal is also included Internally in the Hood.

- Notes**
- 9-pos hoods have one straight cable entries
  - 15-pos hoods have one side cable entry
  - 25-, 37- and 50-pos hoods have one straight and two side cable entries

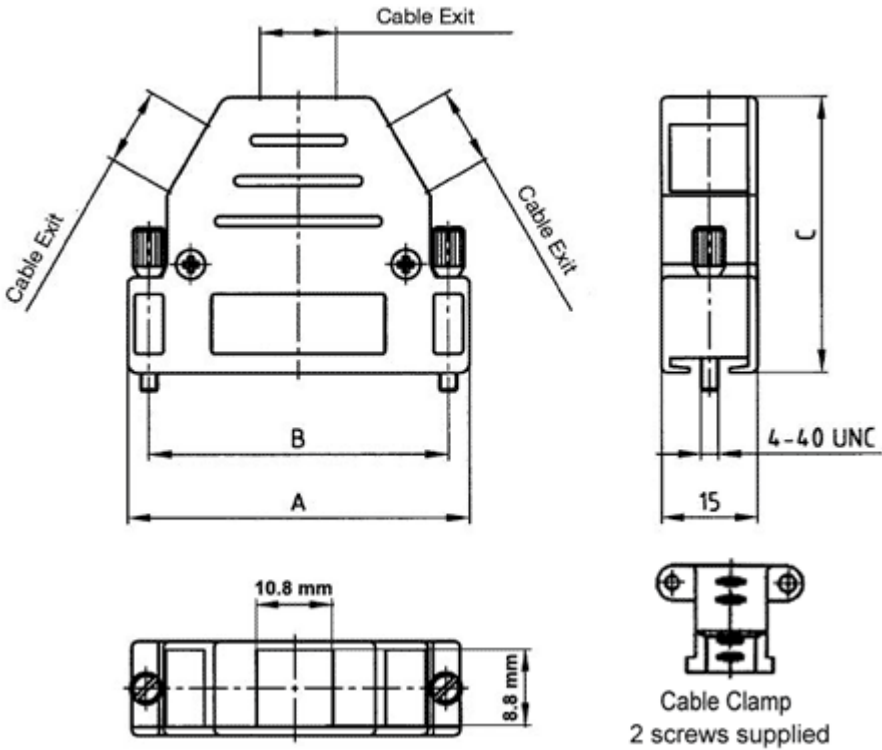
**TECHNICAL DATA:**  
 Hood: die-cast zinc

**Delivery includes:**  
 Hood with covers, 1 or 2 blanking plugs, 3 or 4 screws for fixing, 1 earth screw, 2 jack screws



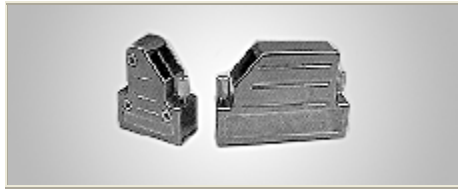
Directive 2002/95/EC  
 „RoHS“  
 Compliant

Metal hood  
 EMI/RFI shielding  
 with jack screws



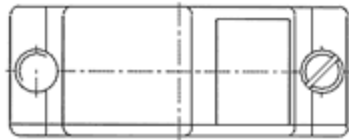
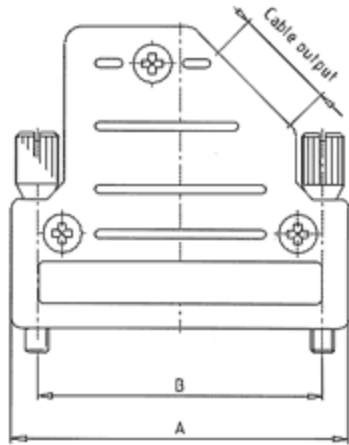
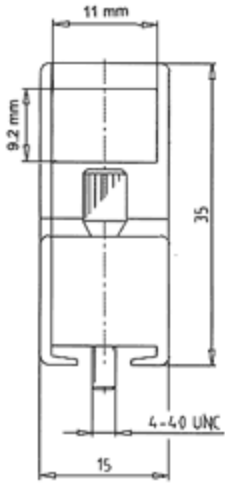
No. of Pos	A	B	C
9	31.0	25.0	38.0
15	39.3	33.3	35.0
25	53.0	47.0	43.0

This series of Die Cast Hoods provide excellent EMI/RFI Shielding. They are available in 9, 15, and 25 position sizes. The 9 and 15 position sizes come with Straight Cable Exit and the 25 position size come with 1 Straight and 2 Side Cable Exits. Standard are UNC 4-40 jack Screws with Screwdriver slot. An Integrated Ground Screw Terminal is also included internally in the Hood.



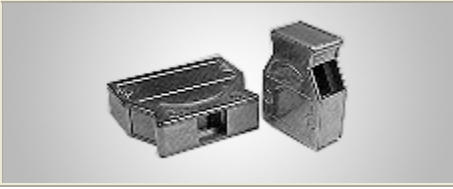
Directive 2002/95/EC  
 „RoHS“  
 Compliant

Metal hood  
 EMI/RFI shielding  
 side cable exit  
 with jack screws



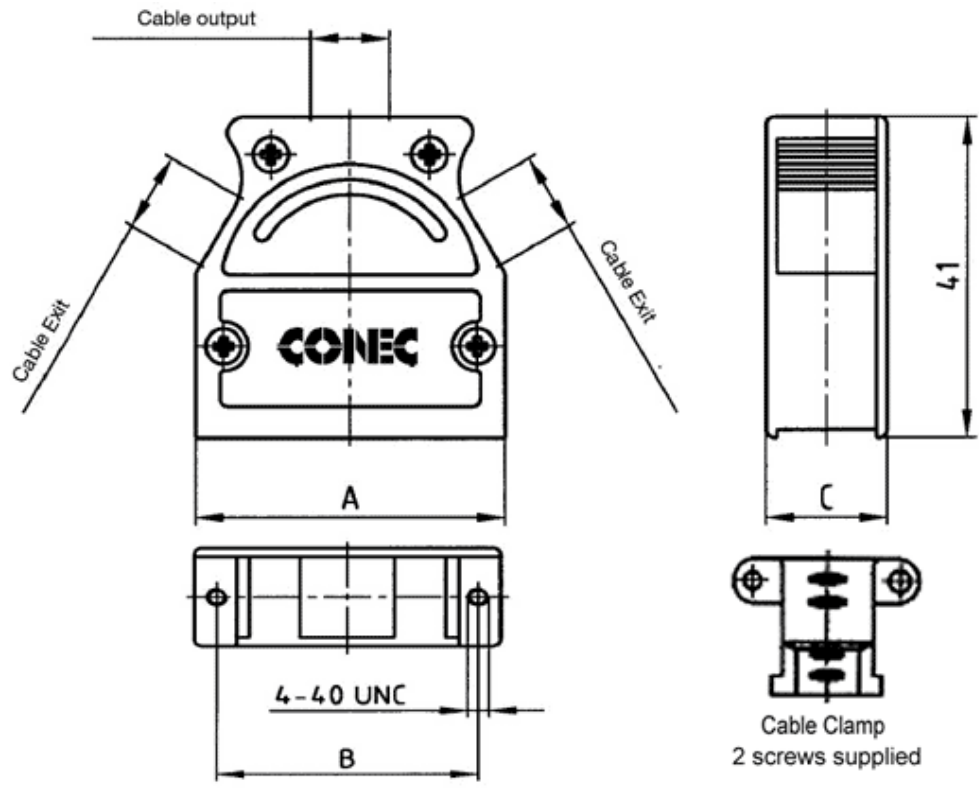
No. of Pos	A	B
9	31.0	25.0
15	39.3	33.3
25	53.0	47.0

This series of die-cast hoods provide excellent EMI/RFI shielding. They are available in 9, 15, and 25 position sizes. They come with side cable exit and come with UNC 4-40 or M3 jack screws with screwdriver slot. An Integrated ground screw terminal is also included internally in the hood.



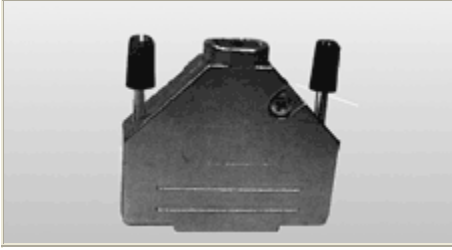
Directive 2002/95/EC  
 „RoHS“  
 Compliant

Metal hood  
 EMI/RFI shielding



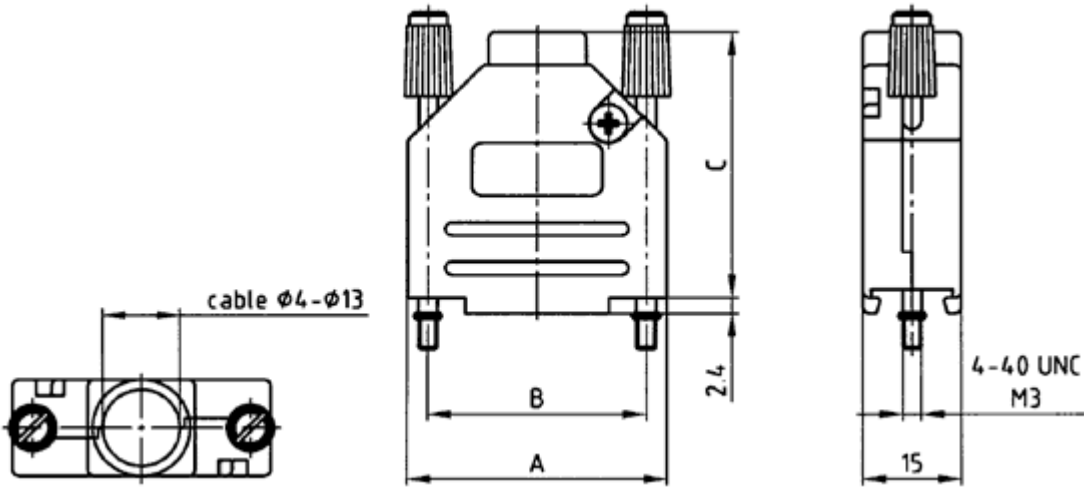
No. of Pos	A	B	C
9	31.0	25.0	15.4
15	39.0	33.3	15.4
25	53.0	47.0	15.4
37	69.5	63.5	15.4
50	67.0	61.1	17.8

This series of Die Cast Hoods provide excellent EMI/RFI Shielding. They are available in 9, 15, 25, 37 and 50 position sizes. The 9 position size is available with 2 side cable exits, 15, 25, 37 and 50 position come with 1 straight and 2 side cable exits. These Hoods are used for flush panel mounting and come with an integrated ground screw terminal.



Directive 2002/95/EC  
 „RoHS“  
 Compliant

Metal hood  
 EMI / RFI shielding  
 with straight cable exit  
 and jack screws

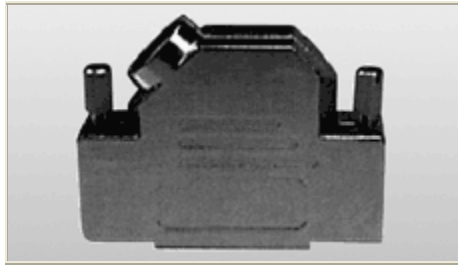


No. of Pos	A	B	C
9	31.0	25.0	38.3
15	39.5	33.3	40.5
25	54.4	47.0	47.3
37	70.9	63.5	52.2

These straight exit die cast hoods provide excellent shielding and ease of assembly. They come with several cable exit inserts, to accept different diameters of cable. Plastic tipped metal jack screws are standard and are available in UNC 4-40 and M3 threads.

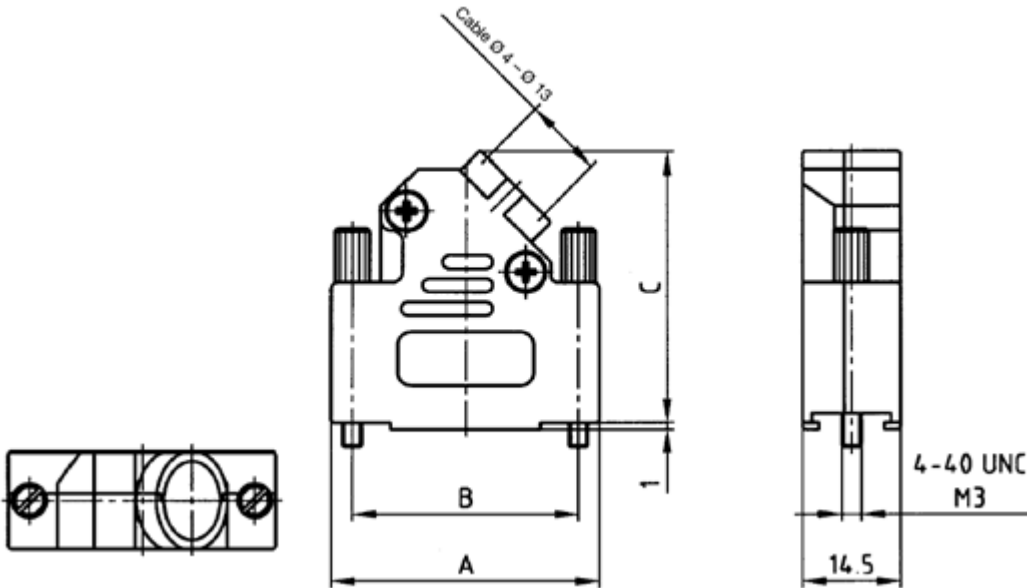
**Technical Data:**

1. Material and Finish: zinc die-cast, nickel plated
2. Cable strain relief: Steel fibre reinforced Polycarbonate UL 94 V-0
3. Temperature range: -40°C to +120°C
4. Attenuation factor: >40dB between 30 MHz and 1 GHz



Directive 2002/95/EC  
„RoHS“  
Compliant

Metal hood  
EMI /RFI shielding  
with side cable exit  
and jack screws



No. of Pos	A	B	C
9	31.0	25.0	36.2
15	39.5	33.3	40.2
25	53.2	47.0	40.2
37	69.7	63.5	40.2

These side exit die-cast hoods provide excellent shielding and ease of assembly. They come with several cable exit inserts to accept different diameters of cable. Jack screws are standard, and are available in UNC 4-40 and M3 threads.

**Technical Data:**

1. Material and Finish: Zinc die-cast, nickel plated
2. Cable strain relief: Steel fibre reinforced Polycarbonate UL 94 V-0
3. Temperature range: -40°C to 120&degC
4. Attenuation factor: >40dB between 30 MHz and 1 GHz

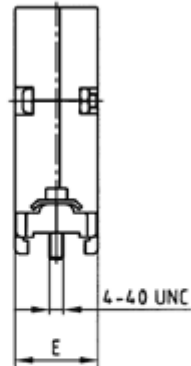
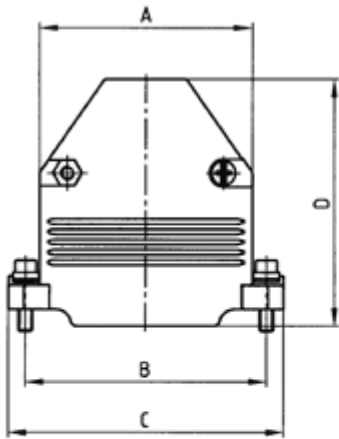
**Note: 9 position Hoods are supplied with only 1 jack screw.**



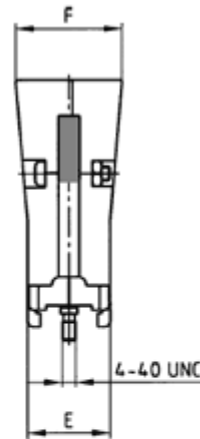
Directive 2002/95/EC  
 „RoHS“  
 Compliant

Metal hood  
 EMI / RFI shielding  
 with straight cable

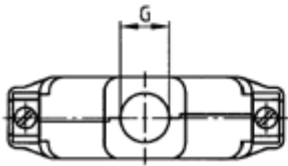
exit



short screws



Jack screws



No. of Pos	A	B	C	D	E	F	G
09	19.8	25.0	31.0	47.0	15.6	---	8.5
15	27.9	33.3	40.2	48.3	16.2	---	10.0
25	41.5	47.0	53.7	48.8	16.2	---	11.0
37	57.8	63.5	69.0	48.5	16.2	20.8	14.0
50	55.0	61.1	67.0	48.5	18.7	23.2	15.0

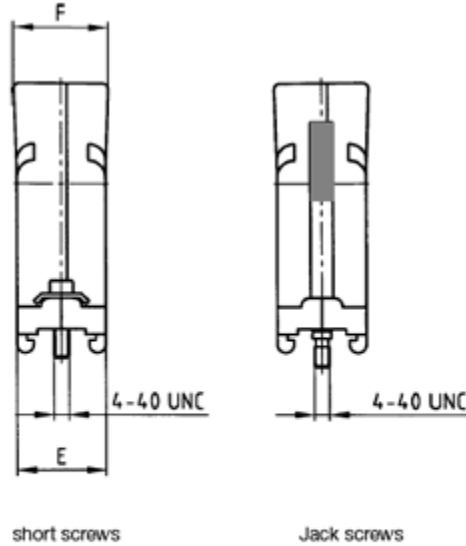
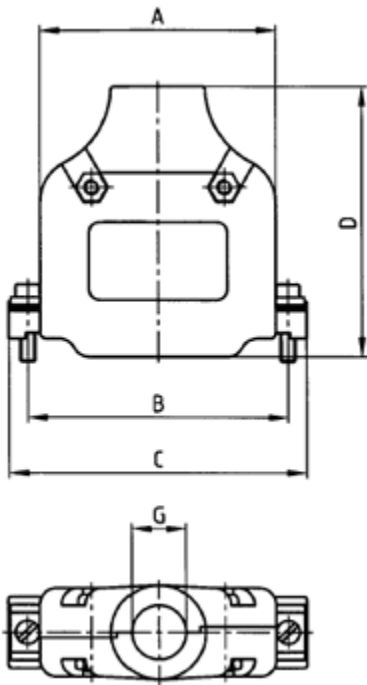
These series of two-piece die cast hoods are available from 9 position to 50 position sizes. They come with straight cable exit with short screwdriver actuated screws or longer jack screws. They are low cost and easy to assemble.



Directive 2002/95/EC  
„RoHS“  
Compliant

Metal hood  
EMI / RFI shielding  
with straight cable

exit



No. of Pos	A	B	C	D	E	F	ØG
09	20.0	25.0	31.4	40.2	16.0	---	7.0
15	27.6	33.3	40.2	48.6	16.2	---	10.0
25	42.6	47.0	54.0	48.6	16.0	17.0	11.0
37	57.8	63.5	69.2	48.6	16.2	20.0	13.0

This series of die cast metal hoods with straight cable exit are available with short screwdriver actuated screws or longer jack screws. These series of hoods are low cost and easy to assemble.



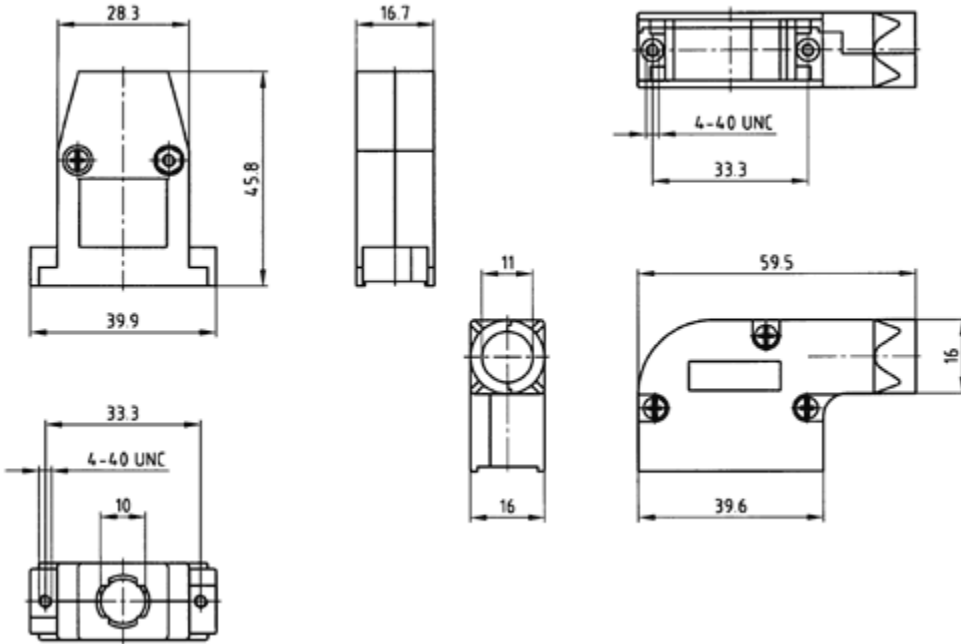
Directive 2002/95/EC  
„RoHS“  
Compliant

Metal hood  
EMI / RFI shielding  
with straight or

side cable exit

straight cable exit

side cable exit

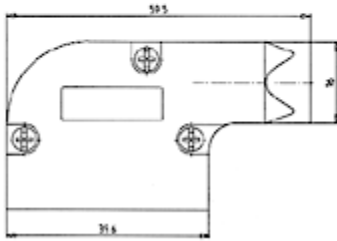
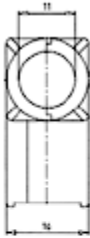
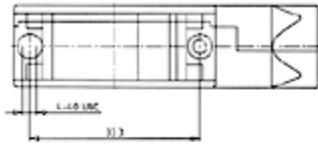


This 15 position die-cast hood provides excellent EMI / RFI shielding, as well as a straight or side cable exit and a slide locking system. It is low cost and easy to assemble.



Directive 2002/95/EC  
"RoHS"  
Compliant

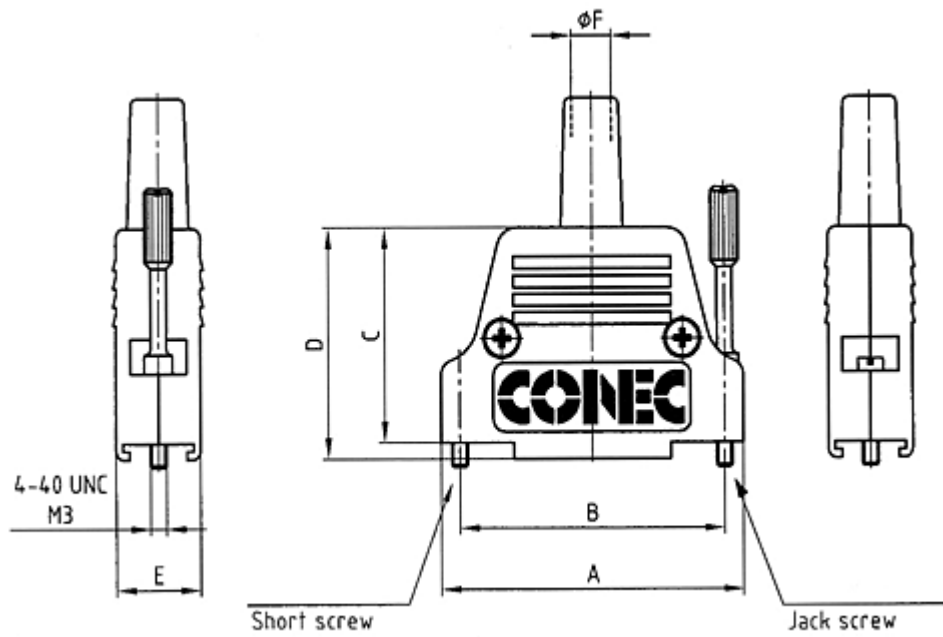
This 15 position Die Cast Hood provides excellent shielding, as well as a Side Cable Exit and a Slide Locking System. It is low cost and easy to assemble.





Metal hood  
EMI/RFI shielding  
with straight cable exit  
short screws or jack screws  
and cable sleeve

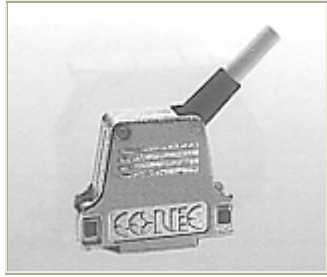
Directive 2002/95/EC  
"RoHS"  
Compliant



No. of pos.	A	B	C	D	E	ØF
9	31,7	25,0	30,0	32,7	15,0	5,0
15	40,0	33,3	32,0	34,7	15,0	5,0
25	53,7	47,0	35,0	37,7	15,0	7,0
37	70,2	63,5	41,0	43,7	15,0	7,0
50	67,8	61,1	41,0	43,7	17,7	9,3

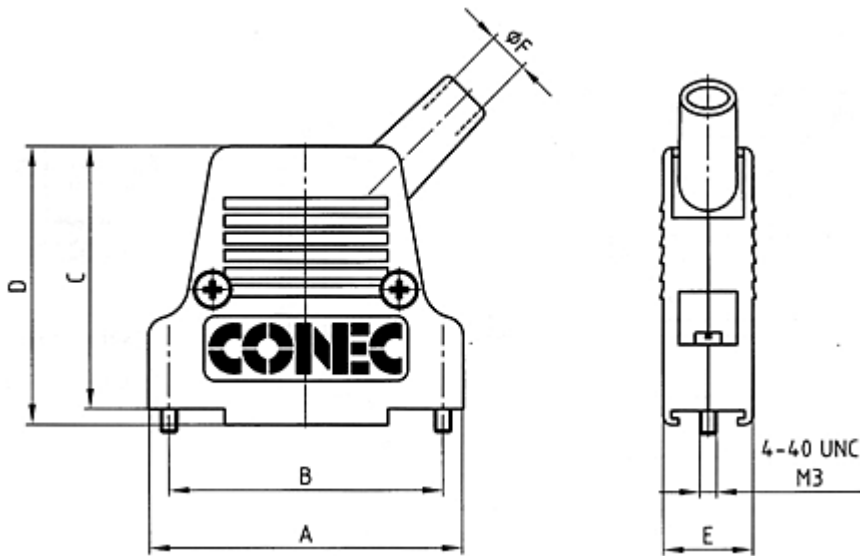
These straight exit die-cast hoods provide excellent shielding and ease of assembly

Technical Data:  
Material and finish: zinc die-cast, nickel-plated



Metal hood  
EMI/RFI shielding  
with side cable exit  
short screws and cable sleeve

Directive 2002/95/EC  
„RoHS“  
Compliant



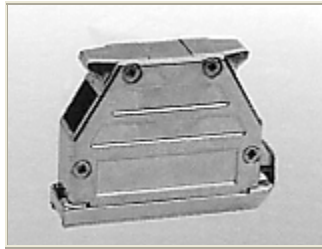
No. of pos.	A	B	C	D	E	ØF
9	31,8	25,0	39,5	42,4	15,4	5,0
15	40,0	33,3	41,0	43,5	15,4	5,0
25	54,0	47,0	45,0	47,7	15,4	7,0
37	70,2	63,5	48,0	50,4	15,4	7,0
50	67,8	61,1	48,0	50,4	18,5	9,3

These side exit die-cast hoods provide excellent shielding and ease of assembly

Technical Data:

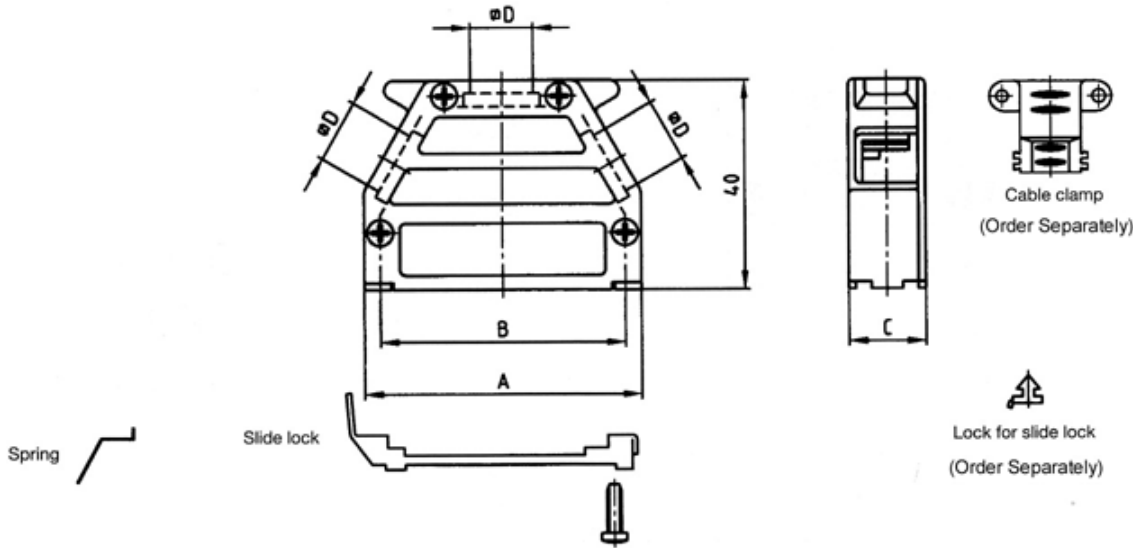
Material and finish: zinc die-cast, nickel-plated

(Long Jack screws are also available contact factory)



Directive 2002/95/EC  
 „RoHS“  
 Compliant

Metal hood  
 EMI/RFI shielding  
 with slide lock



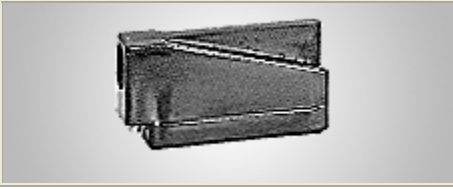
No. of pos.	A	B	C	ØD
9	32,0	25,0	14,8	12,1
15	39,3	33,3	14,8	12,1
25	53,2	47,0	14,8	12,1
37	69,5	63,5	14,8	12,1
50	67,0	61,1	17,8	14,6

The EMI/RFI metal hoods with slide-lock for 9-,15-,25-,37- and 50-way connectors have different entries and will thus also allow cables to be looped through them. Entries which are not in use are blanked off with slide-in blanking plugs. 9-way hoods have two side cable entries and 15-,25-,37-, and 50-way hoods have one straight and two side cable entries.

Technical Data: Hood: die-cast zinc

Delivery includes:

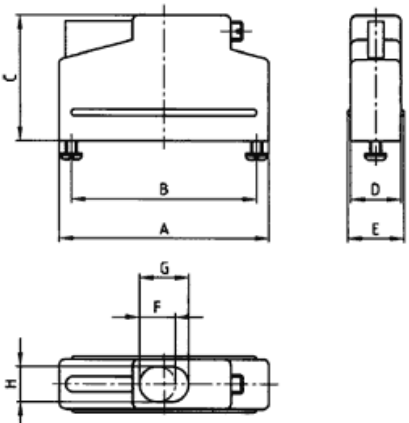
Hood with covers, 1 or 2 blanking plugs, 3 or 4 screws for fixing 1 earth screw, shouldered screws to retain connector, 1 slide lock, 1 spring



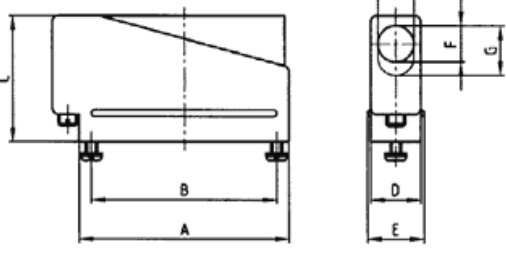
Directive 2002/95/EC  
„RoHS“  
Compliant

Plastic hood

One-piece hood with straight cable entry



One-piece hood with side cable entry



One-piece hood with straight cable entry

No. of Pos.	A	B	C	D	E	ØF	G	H
9	30.9	25.0	25.4	12.7	14.3	7.1	---	---
15	39.3	33.3	25.4	12.7	14.3	9.1	---	---
25	53.2	47.0	31.7	12.7	14.3	---	12.5	9.1
37	69.4	63.5	38.1	12.7	14.3	---	17.6	9.1
50	67.1	61.1	38.1	15.5	17.0	---	18.6	11.9

### One-piece hood with side cable entry

No. of Pos.	A	B	C	D	E	ØF	G	H
9	30,9	25.0	25.4	12.7	14.3	7.1	---	---
15	39,3	33.3	25.4	12.7	14.3	9.1	---	---
25	53,2	47.0	31.7	12.7	14.3	---	12.5	9.1
37	69.4	63.5	38.1	12.7	14.3	---	17.6	9.1
50	67.1	61.1	38.1	15.5	17.0	---	18.6	11.9

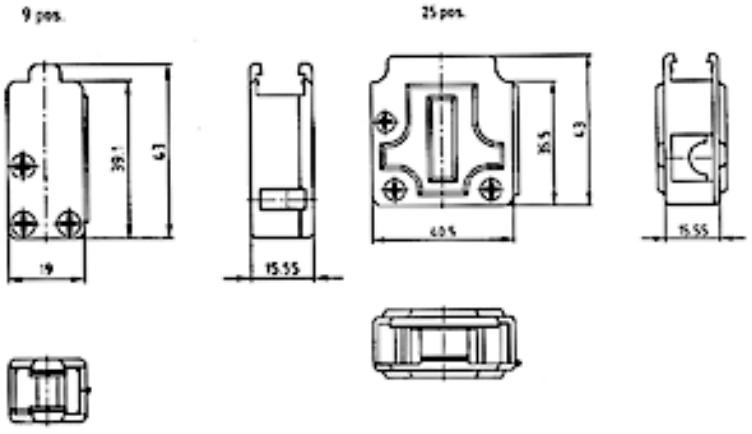
This one-piece hood is available with side or top cable entry. The cable is fed through the hood before assembly and clamped with strain relief provided.

**Material:** Polyamid



Directive 2002/95/EC  
„RoHS“  
Compliant

Plastic hood  
with two entries  
straight and side  
hinged version



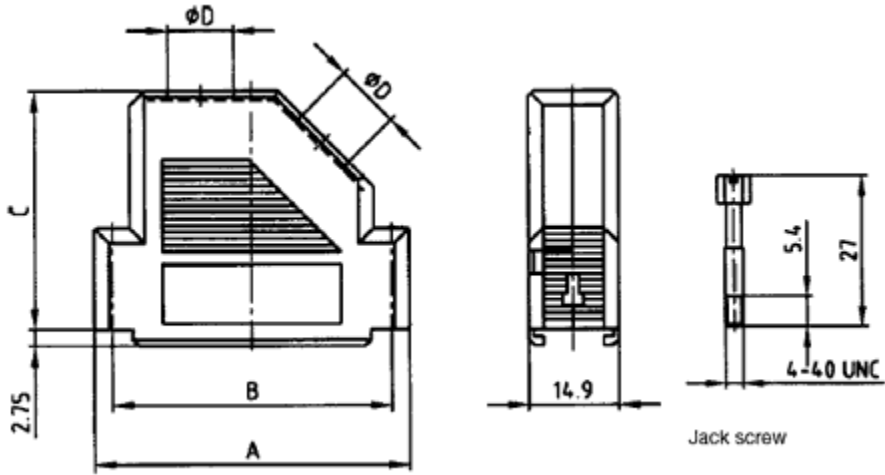
This hood series represents a hinged version for easy mounting. Cable clamping is achieved by plastic inserts, which are used for different cable diameters.

Material: Polypropylen



Directive 2002/95/EC  
 „RoHS“  
 Compliant

Plastic hood  
 with top and  
 side cable exit



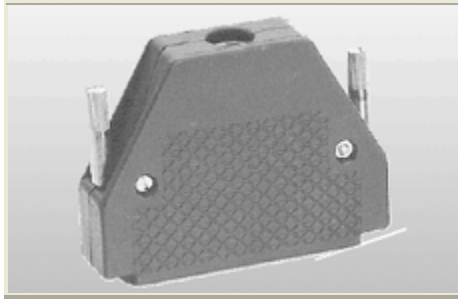
No. of Pos.	A	B	C	ØD
25	53.0	47.0	40.0	11.0

This hood with two cable entries that means on the top and at the side can be assembled very easily by snap locking. The locking can be effected by lateral screws or a locking-lever. Furthermore, a strain relief is integrated in this hood for cables of various diameters.

**Material:**

Hood: ABS UL 94 V-0

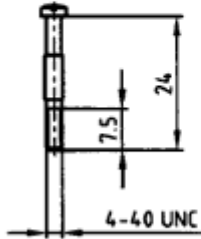
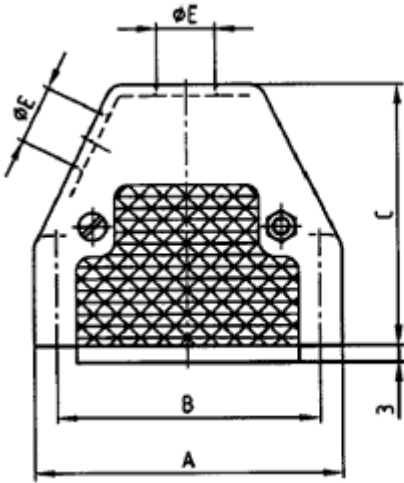
Screws: brass, nickel-plated



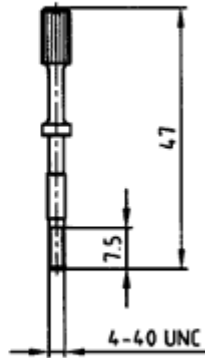
Directive 2002/95/EC  
 „RoHS“  
 Compliant

Plastic hood  
 with straight  
 and

side cable entry



short screws



Jack screws

No.of Pos.	A	B	C	D	ØE
9	33,0	25,0	45,0	17,0	7,5
15	41,0	33,3	45,0	17,0	8,5
25	55,0	47,0	47,0	17,0	10,5
37	71,3	63,5	51,0	17,0	11,0
50	69,0	61,1	50,0	20,0	12,5

Part Numbers

**Material:**

Hood: Polyamid +GF

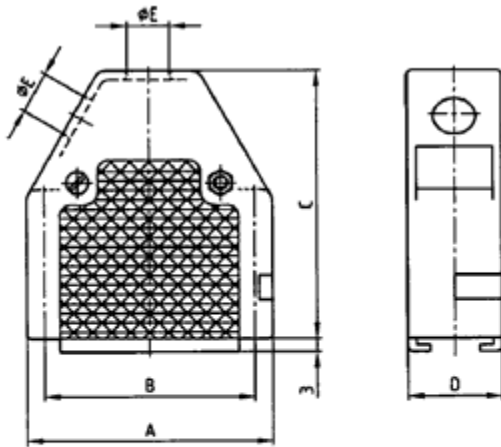
Screws: brass, nickel plated



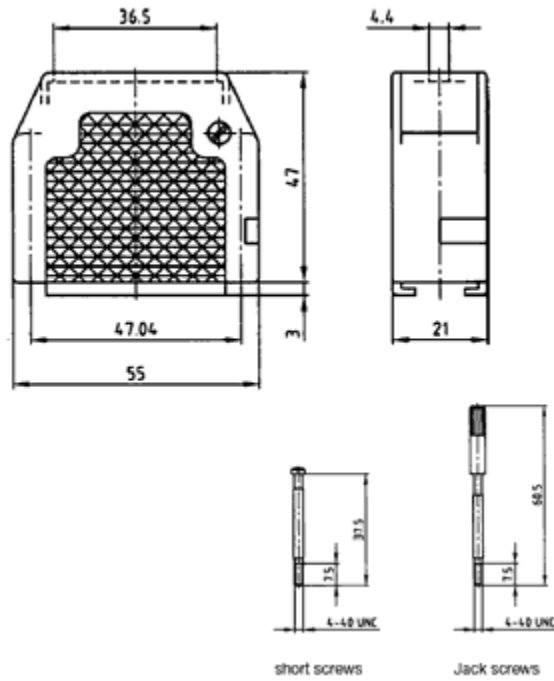
Directive 2002/95/EC  
 „RoHS“  
 Compliant

Plastic hood  
 for flat cable  
 IDC D-Subminiature

round cable entry for flat cable



top flat cable entry



No. of Pos.	A	B	C	D	ØE
25	55.0	47.0	60.0	21.0	9.5
50	79.0	61.1	65.0	24.0	12.5

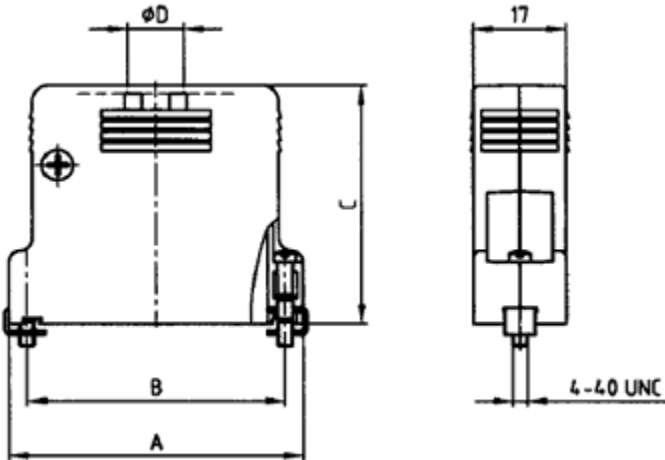
This series of hoods are designed for use with flat cable IDC D-Subminiature connectors. They are straight exit and are available in black plastic versions. They are a two-piece design and come standard with screwdriver actuated screws or jack screws.

**Material:**  
 Hood: ABS UL 94 V-0  
 Screws: brass, Nickel plated



Directive 2002/95/EC  
 „RoHS“  
 Compliant

Plastic hood  
 with straight cable exit



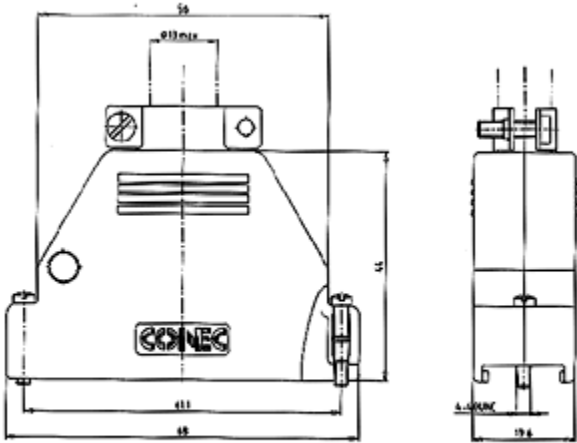
No. of Pos.	A	B	C	ØD
9	31.2	25.0	43.6	8.0
25	53.5	47.0	43.6	10.3
37	69.7	63.5	43.6	10.3

The two piece hood stands out through its flat and compact design. The connector is being held through side clamps. The strain relief is achieved by using a cable tie. This cable tie adjusts itself according to the cable diameter and is fitted via additional holes in the hood



Directive 2002/95/EC  
„RoHS“  
Compliant

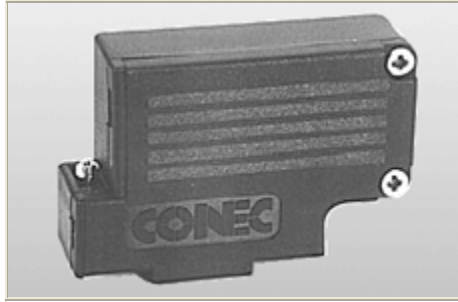
Plastic hood  
with straight cable  
exit



This hood is designed for use with 50 position size connectors. It is straight exit with screwdriver actuated screws. It comes in black plastic and has a large cable exit with strain relief and large internal cavity.

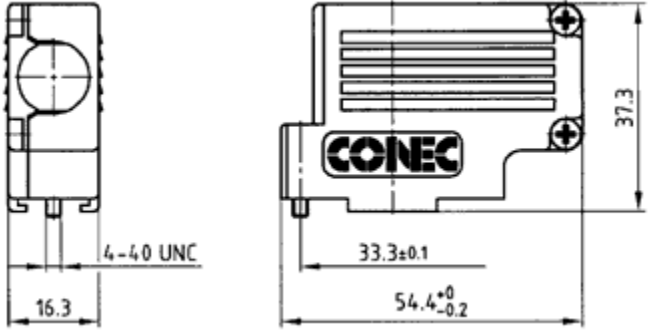
Material:  
Hood: PA 6.6 GF 25 UL 94 V-O

Screws: steel, nickel plated



Directive 2002/95/EC  
„RoHS“  
Compliant

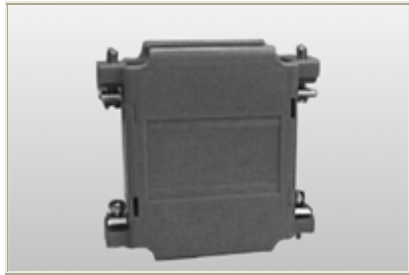
Plastic hood  
low profile



This side exit black plastic hood is ultra low profile. It comes standard with screws UNC 4-40 tread. It is a two piece design and comes with internal strain relief.

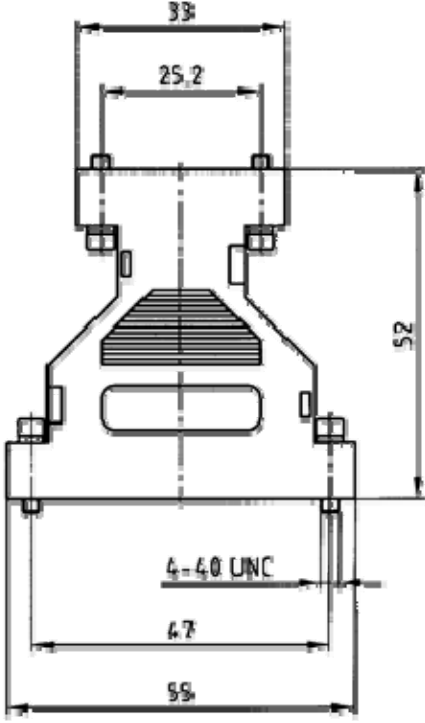
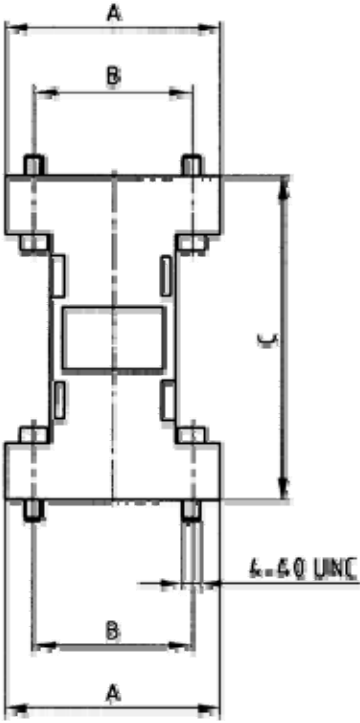
Material: PBT und GF UL 94 V-0

Kat 1iNMA



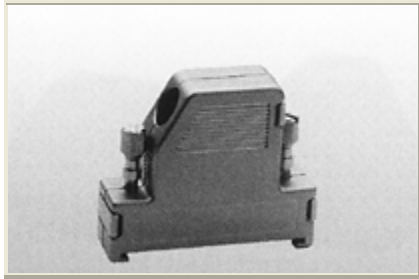
Directive 2002/95/EC  
 „RoHS“  
 Compliant

Plastic hood adapter.



No. of Pos.	A	B	C
9 / 9	34.0	25.0	53
15 / 15	41.3	33.3	52
25 / 25	55.6	47.0	53

These adapters are designed for custom applications. P.C.B. may be used internally or custom wire designs may be utilized. They are available in grey or metallized plastic screwdriver actuated screws at either end of the adapter.



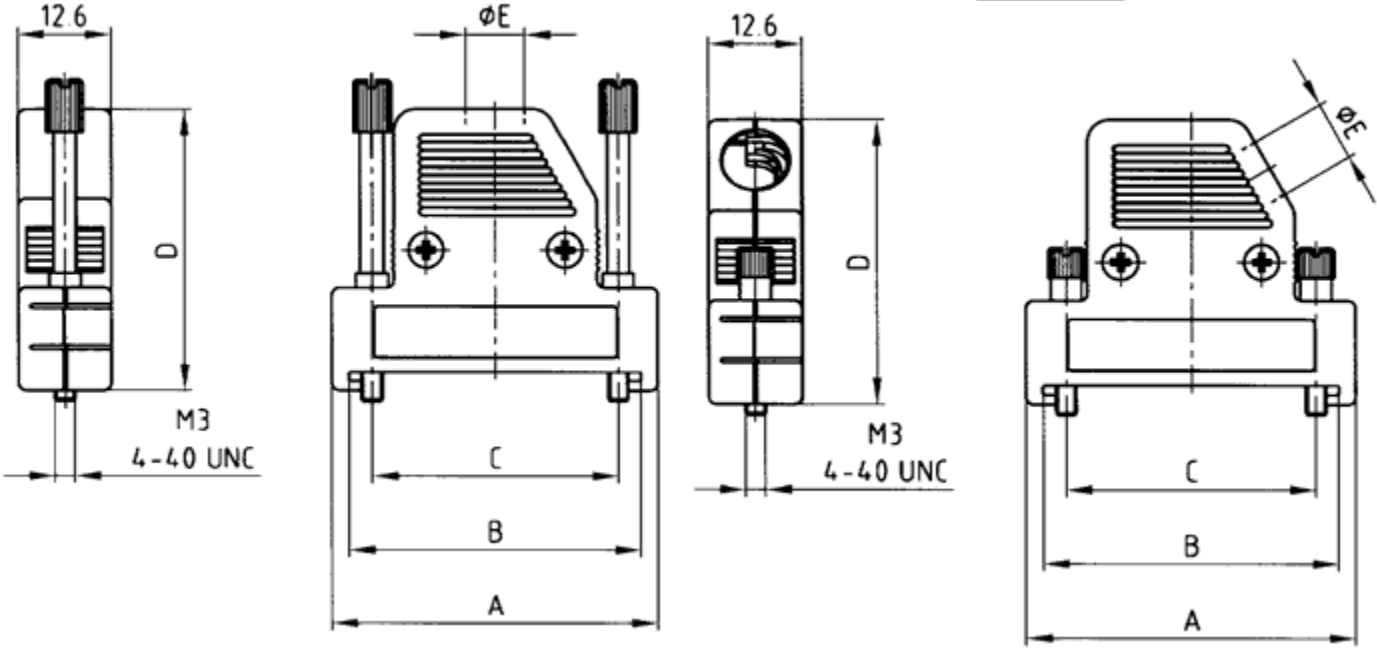
Directive 2002/95/EC  
 „RoHS“  
 Compliant

Plastic Hood  
 with side or top  
 cable exit

flat mounting type

straight cable exit

side cable exit

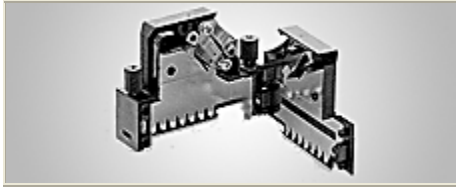


No. of Pos.	A	B	C	D	ØE
9	35,8	31,2	25,0	37,0	8,0
15	44,1	39,5	33,3	38,0	8,0
25	57,9	53,3	47,1	41,1	9,0
37	74,3	69,7	63,5	41,0	9,0

Part Numbers

This hood is built flat and therefore, space saving.  
 You can add few hoods in a row, not losing space.

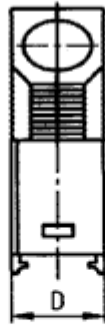
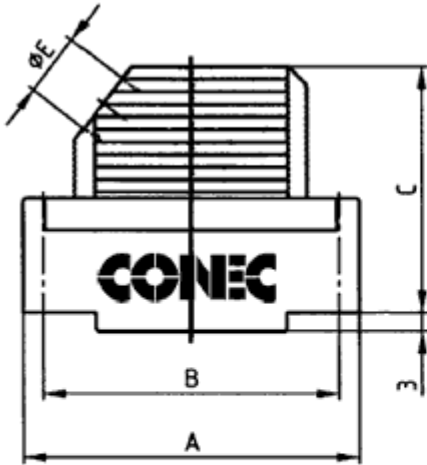
**Material:** ABS UL 94 V-O (metallized and black)  
**Screws:** brass, nickel plated



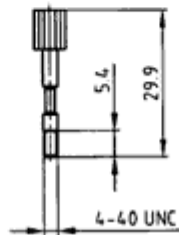
Directive 2002/95/EC  
„RoHS“  
Compliant

Plastic hood  
with and without shielding  
with side cable exit

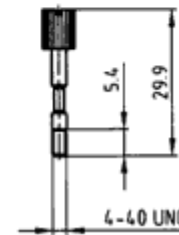
This series performs like over molded version  
hood is pressed together does not require any hardware



Metal screw with plastic head



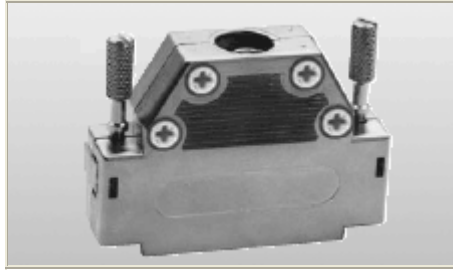
Metal screw



**Metal Hood with side cable entry**

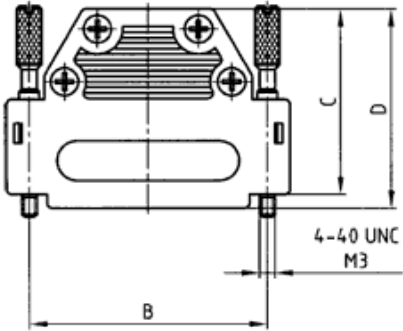
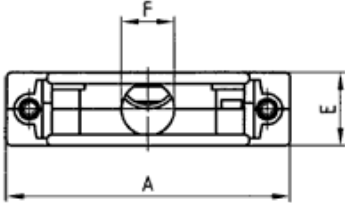
No. of pos.	A	B	C	D	Ø E
9	31,30	25,0	35,15	15,0	8,0
15	39,62	33,3	39,15	15,0	9,0
25	53,52	47,0	39,15	15,0	11,0
37	69,80	63,5	39,15	15,0	11,0
50	67,41	61,1	39,15	19,0	14,5

This Hood can be supplied with and also without shielding. The shielded version has a sheet for shielding in both halves of the hood. The attenuation is 10 MHz 60dB. The locking can be effected by means of screws. The 9-pos. hood needs only one metal screw.



Directive 2002/95/EC  
 „RoHS“  
 Compliant

Plastic hood  
 with straight cable exit  
 and jack screws

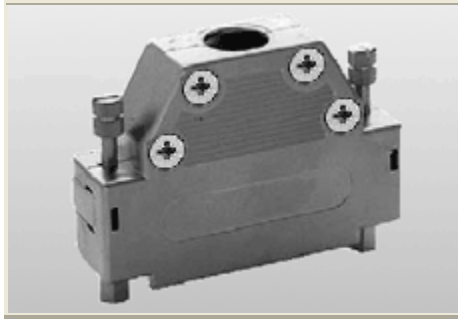


No. of Pos.	A	B	C	D	E	ØF
9	34.0	25.0	25.0	27.75	14.5	8.5
15	42.3	33.3	37.0	39.75	14.5	10.0
25	56.0	47.0	37.0	39.75	14.5	10.5
37	72.5	63.5	37.0	39.75	14.5	10.5
50	70.0	61.1	50.0	50.0	21.0	10.5

The hood with top cable entry consists of two half shells in which the screws are firmly inserted on one side each. The cable clamp is integrated in the hood. The hood is available either with screw thread UNC 4-40 or M 3.

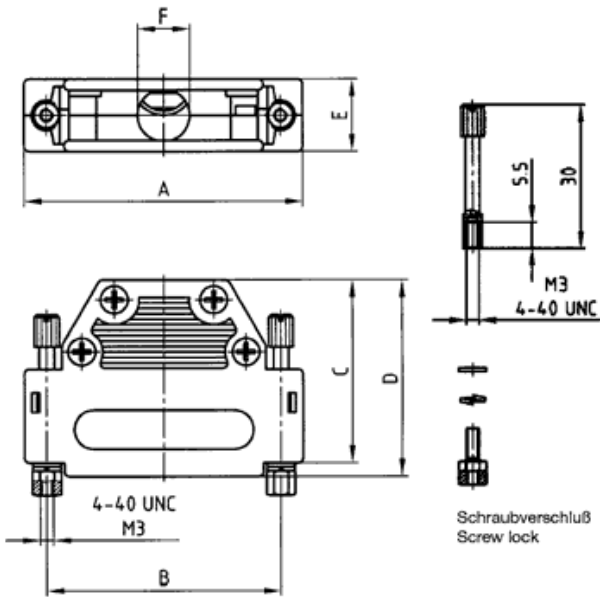
**Technical Data:**

Hood: Polyamid + GF / black / grey  
 ABS V-O / metallized  
 Screws: brass, nickel-plating



Plastic hood  
with straight cable exit  
and screw lock  
Cable-to-cable connection

Directive 2002/95/EC  
„RoHS“  
Compliant

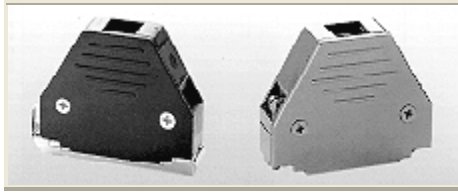


Hood with top cable entry

No. of pos.	A	B	C	D	E	F
9	34,0	25,0	25,0	27,75	14,5	8,5
15	42,3	33,3	37,0	39,75	14,5	10,0
25	56,0	47,0	37,0	39,75	14,5	10,5
37	72,5	63,5	37,0	39,75	14,5	10,5
50	70,0	61,1	50,0	50,0	21,0	10,5

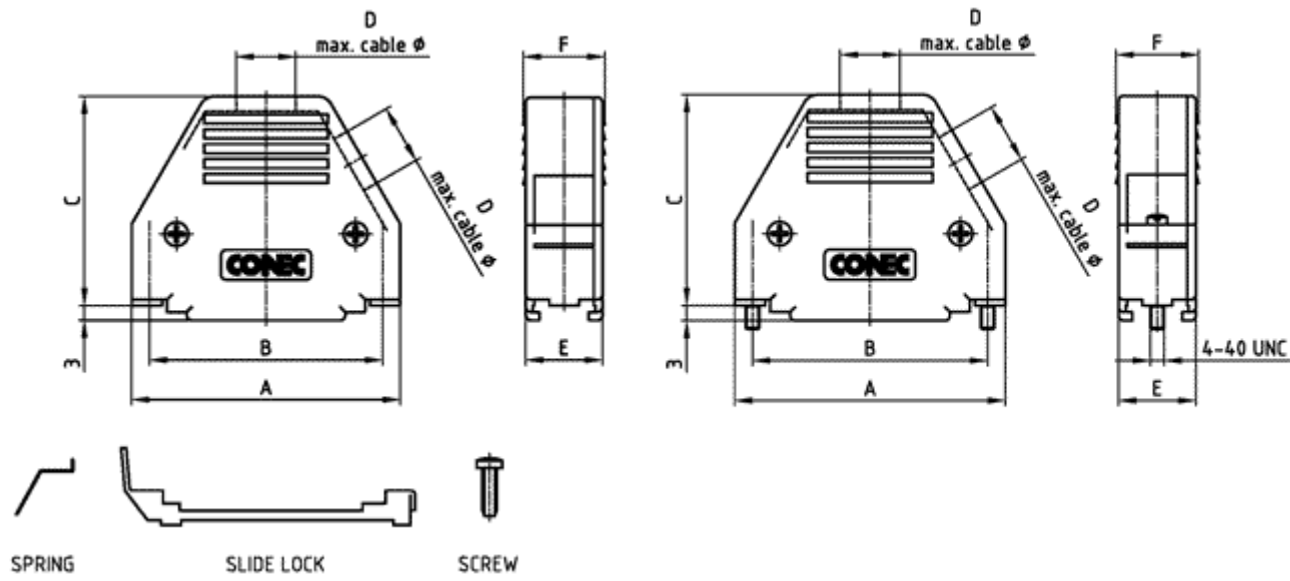
The hood with top cable exit consists of two half shells in which the screws are firmly inserted on one side each. The cable clamp is integrated in the hood. The hood is available either with screw thread UNC 4-40 or M 3.

Technical Data:  
Hood: Polyamid + GF / black / grey  
ABS V-O / metallized  
Screws: brass, nickel-plating



Plastic hood  
with top and  
side cable exit  
slide lock  
or jack screws

Directive 2002/95/EC  
"RoHS"  
Compliant



Hood with top and side cable entry

No. of pos.	A	B	C	ØD	E	F
9	32,0	25,0	36,7	6,3	15.5	16.5
15	40,0	33,3	38,2	8,0	15.5	16.5
25	54,2	47,0	42,2	10,5	15.5	16.5
37	70,6	63,5	47,2	11,5	15.5	16.5
50	68.2	61.1	47.2	16.0	19.6	20.6

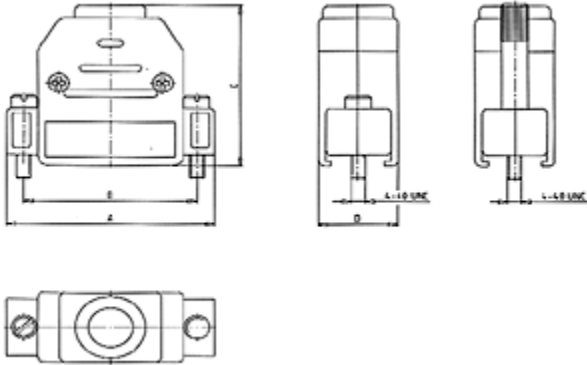
The two-piece hood has a top and side cable entry. The locking can be effected by a screw- or a slide lock. The standard version of the hood is either black or metallized. Entries not in use are blanked off with slide-in blanking plugs. The cable strain relief is integrated in the hood.

**Material:**  
Hood: ABS UL 94 V-O



Directive 2002/95/EC  
 „RoHS“  
 Compliant

Plastic hood  
 with straight cable  
 exit

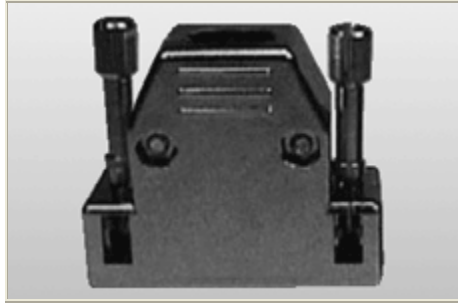


No. of Pos.	A	B	C	D
9	31.5	25.0	31.0	15.2
15	40.0	33.3	35.0	15.2
25	53.5	47.0	38.0	15.2
37	70.0	63.5	40.0	15.2
50	67.5	61.1	40.0	18.2

This series of straight cable exit hoods are available in black or metallized plastic. They are easy to assemble and come with short screwdriver actuated screws or longer jack screws.

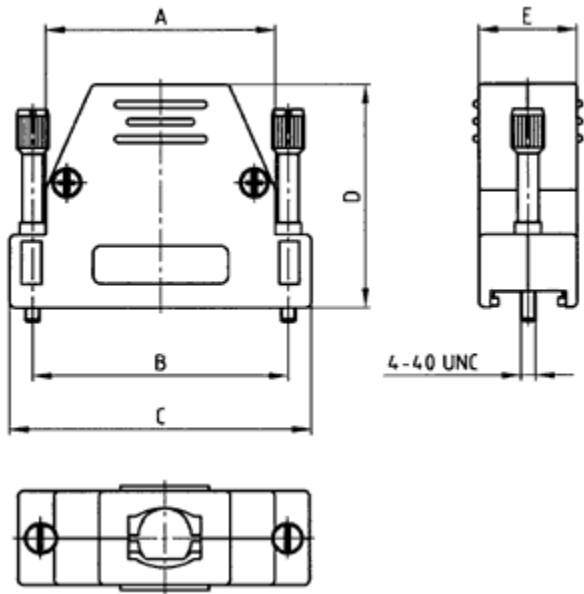
**Material:**

1. Hood: ABS UL 94 V-0 rated black or metallized
2. Screws: brass, nickel plated



Directive 2002/95/EC  
 „RoHS“  
 Compliant

Plastic hood  
 with straight cable  
 exit



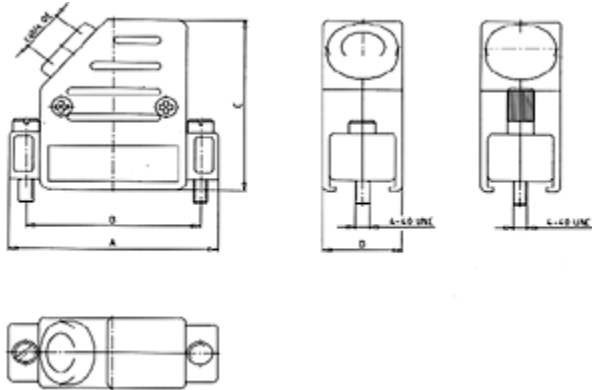
No. of Pos.	A	B	C	D	E
9	20.0	25.0	31.0	30.0	18
15	28.3	33.3	43.0	29.0	18
25	42.0	47.0	55.5	41.2	18
37	56.5	63.5	70.3	47.5	18
50	53.5	61.1	69.0	49.5	21

These straight exit hoods with jack screws are available in black or metallized plastic versions. They are a two-piece design with internal strain relief.



Directive 2002/95/EC  
 „RoHS“  
 Compliant

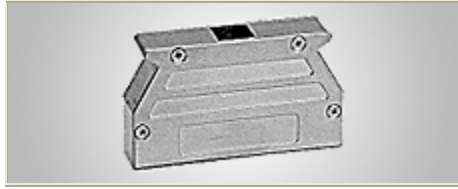
Plastic hood  
 with side cable exit



No. of Pos.	A	B	C	D	ØE
9	31.5	25.0	37.0	15.2	8.5
15	40.0	33.3	37.0	15.2	8.5
25	53.5	47.0	41.0	15.2	11.0
37	70.0	63.5	41.0	15.2	11.0
50	67.8	61.1	41.0	18.2	12.0

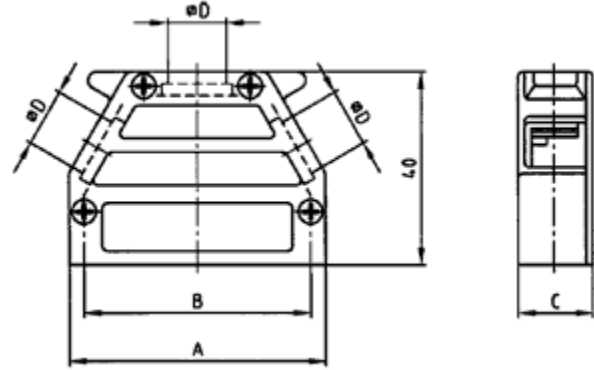
This series of side cable exit hood is available in black or metallized plastic. They are easy to assemble and come with short screwdriver actuated screws or longer jack screws.

- Material:
- Hood: ABS UL 94 V-0 rated black or metallized
  - Screws: Brass, Nickel Plated



Directive 2002/95/EC  
 „RoHS“  
 Compliant

Plastic hood  
 with top and  
 side cable exit

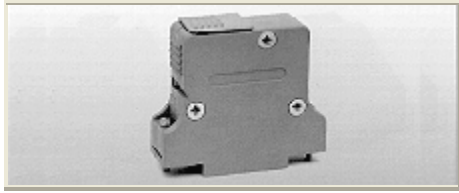


No. of Pos.	A	B	C	D
9	31.0	25.0	15.4	12.1
15	39.3	33.3	15.4	12.1
25	53.2	47.0	15.4	12.1
37	69.5	63.5	15.4	12.1
50	67.0	61.1	17.9	14.6

Two piece plastic hood consisting of back half and cover half, same dimensions and appearance as metal hoods. The hood has 3 cable entries (2 for 9 pos. hood). Entries not in use are blanked off with slide in blanking plugs.

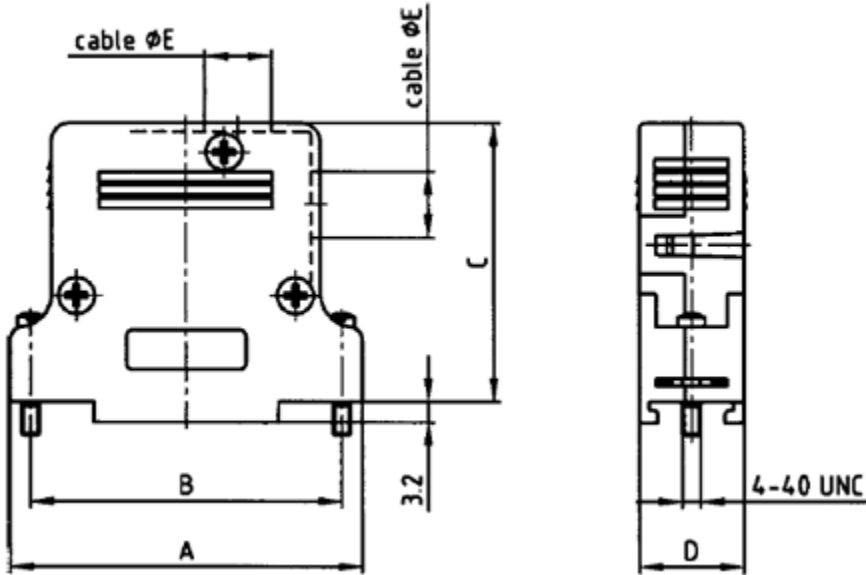
**Material:**

Hood: ABS UL 94 V-O rated black or metallized



Plastic hood  
with top and  
side cable exit

Directive 2002/95/EC  
"RoHS"  
Compliant



Hood with top and side cable entry

No. of pos.	A	B	C	D	ØE max
9	31,2	25,0	31,8	15,6	08,0
15	39,5	33,3	37,0	15,6	08,0
25	53,2	47,0	42,2	15,6	10,0
37	69,7	63,5	42,2	15,6	10,0
50	67,3	61,1	42,2	18,5	12,5

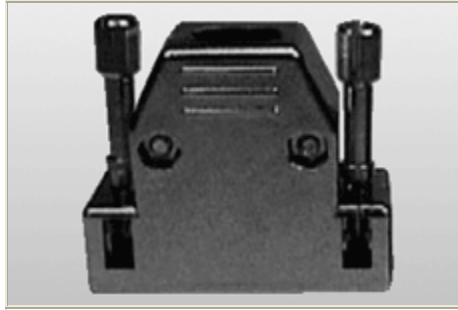
## Part Numbers

The hood with top and side cable exit consists of two half shells in which the screws are firmly inserted on one side each. The cable clamp is integrated in the hood. The hood is available with screw thread 4-40 UNC.

### TECHNICAL DATA

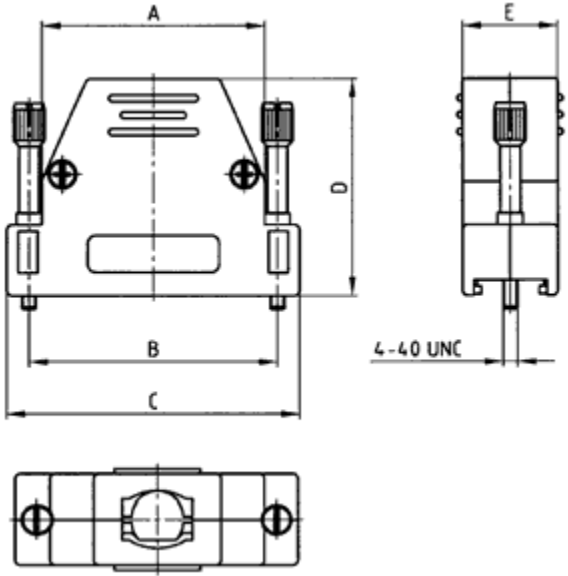
Material: Polycarbonate UL 94 V-0 (grey)

Material: ABS UL 94 V-0 (metallized)



Directive 2002/95/EC  
 „RoHS“  
 Compliant

Plastic hood  
 with straight cable exit



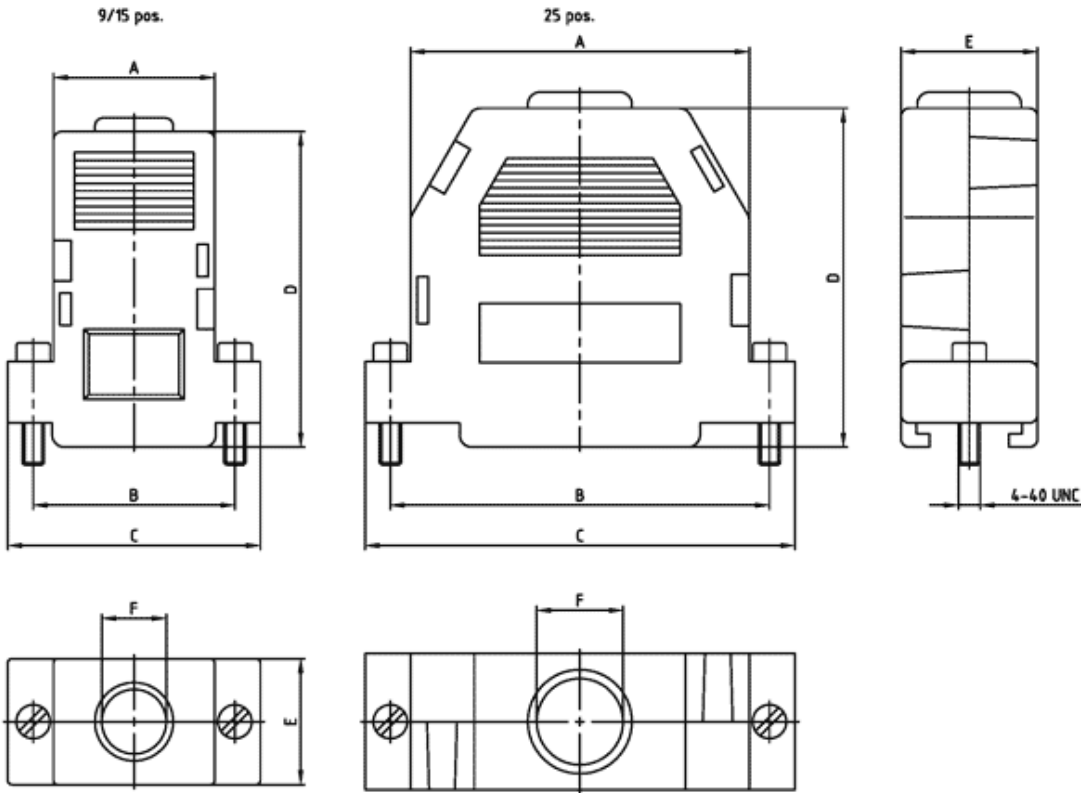
No. of Pos.	A	B	C	D	E	F	ØG
9	20.5	25.0	31	39.5	16.0	---	7
15	28.0	33.3	40	35.8	16.0	17.6	10
25	41.0	47.0	55	50	16.4	18.5	11

These straight exit hoods are available in grey or metallized plastic. They come with long jack screws, are low cost and easy to assemble.



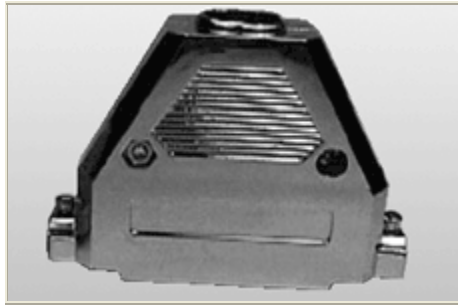
Directive 2002/95/EC  
 „RoHS“  
 Compliant

Plastic hood  
 with straight cable  
 entry



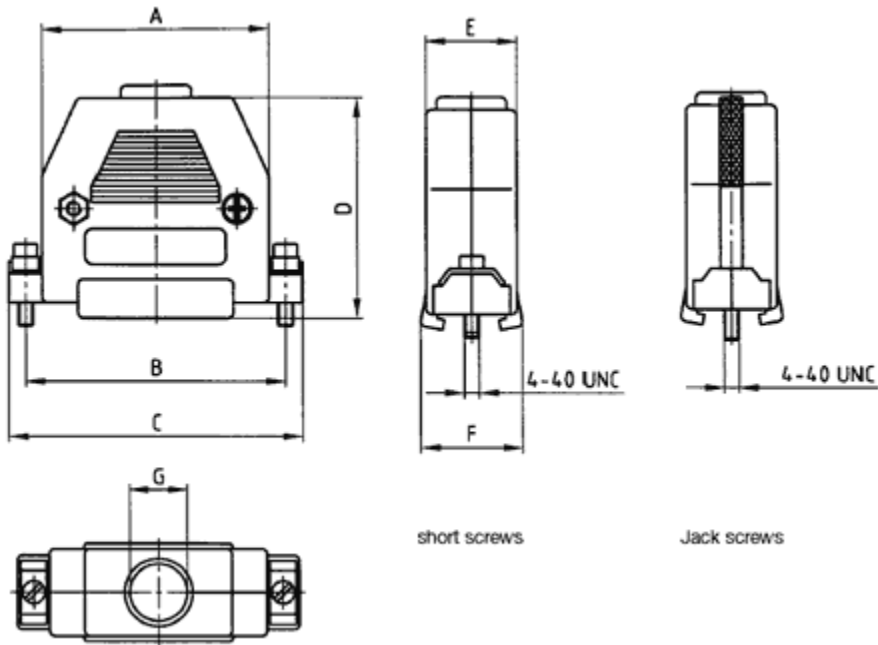
No. of Pos.	A	B	C	D	E	ØF
9	20.5	25.0	31.0	39.5	15.6	8.5
15	27.5	33.3	39.0	39.5	15.6	11.3
25	42.0	47.0	53.2	41.8	16.5	10.8

This series of plastic hoods come in grey or metallized versions. They have screwdriver actuated screws, and are a low cost two piece design.



Directive 2002/95/EC  
 „RoHS“  
 Compliant

Plastic hood  
 with straight cable exit



short screws

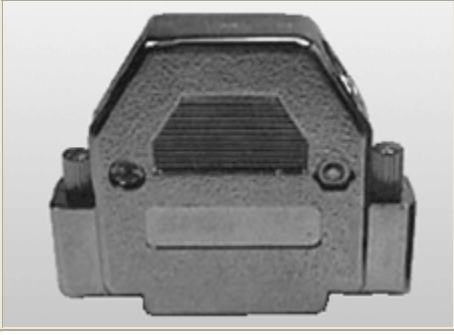
Jack screws

No. of Pos.	A	B	C	D	E	F	G
9	20.5	25.0	31.0	38.8	16.0	16.0	07,0
15	28.0	33.3	39.5	35.5	16.0	17.5	10,0
25	41.0	47.0	55.0	42.0	16.5	16.5	11,0
37	58.0	63.5	70.0	51.1	24.2	19.0	14,0

This series of straight exit hoods are available with short screwdriver actuated screws, or longer jack screws. They come in grey or metallized plastic. They are easy to assemble and low cost.

Hood material: ABS PA - 707

UL Rating: UL 94 - HB

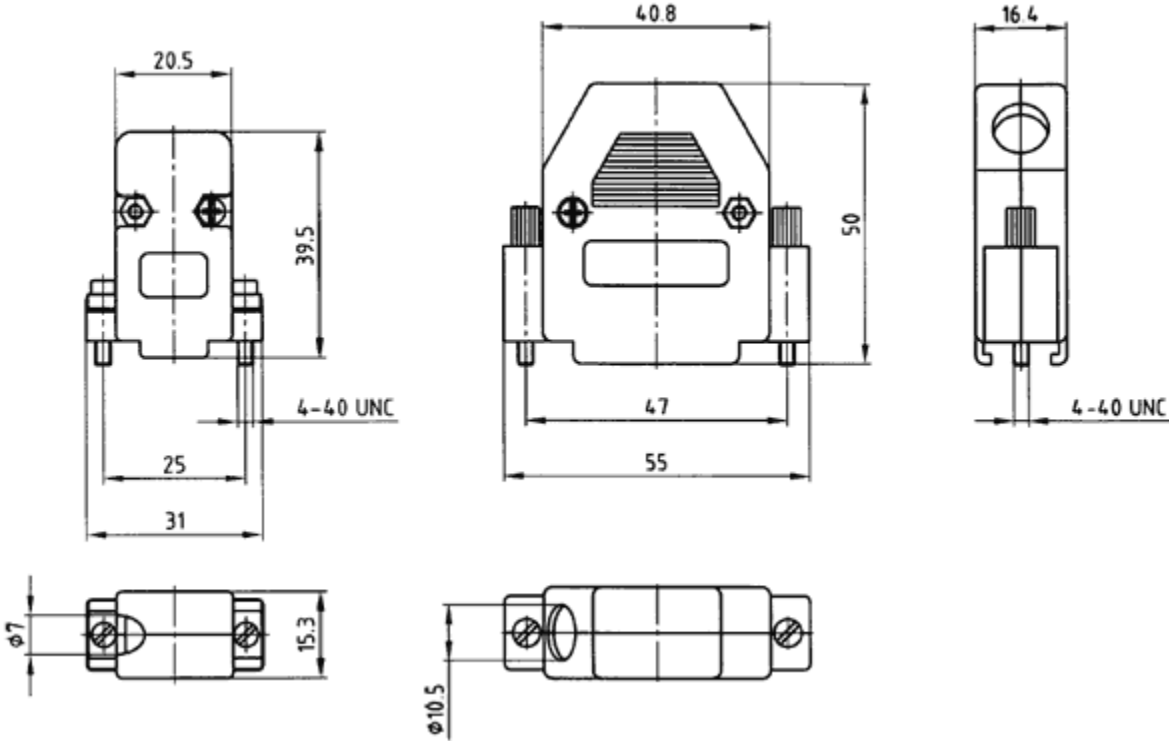


Directive 2002/95/EC  
„RoHS“  
Compliant

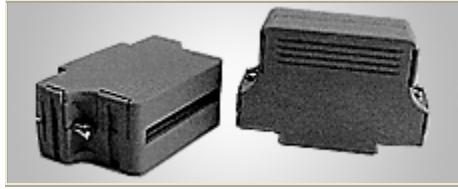
Plastic hood  
with side cable exit

9-position

25-position

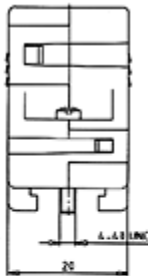
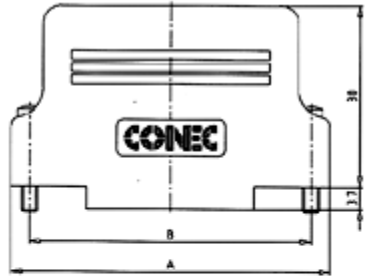


This series of hoods are available in 9- and 25- position sizes. They are available in grey or metallized versions with side cable entry. They come standard with metal jack screws.



Directive 2002/95/EC  
 „RoHS“  
 Compliant

Plastic hood  
 for flat cable  
 IDC D-subminiature



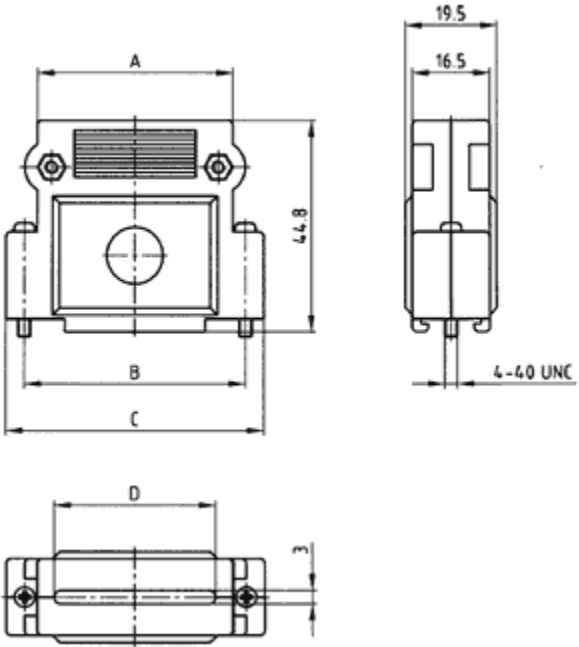
No. of Pos.	A	B	C
25	53.2	47	35.8
37	69.7	63.5	50.5

This series of hoods are available for 25 and 37 position connectors. They are used with flat cable IDC D-SUB connectors. They are available in grey or metallized plastic. They are a snap together design and require no extra tools, they come with strain relief and screwdriver actuated screws.



Directive 2002/95/EC  
 „RoHS“  
 Compliant

Plastic hood  
 for flat cable  
 IDC D-Subminiature



No. of Pos.	A	B	C	D
9	19.25	25.00	33.35	14.0
15	28.00	33.30	41.20	21.7
25	41.70	47.00	54.80	43.4
37	58.00	63.50	71.50	49.6

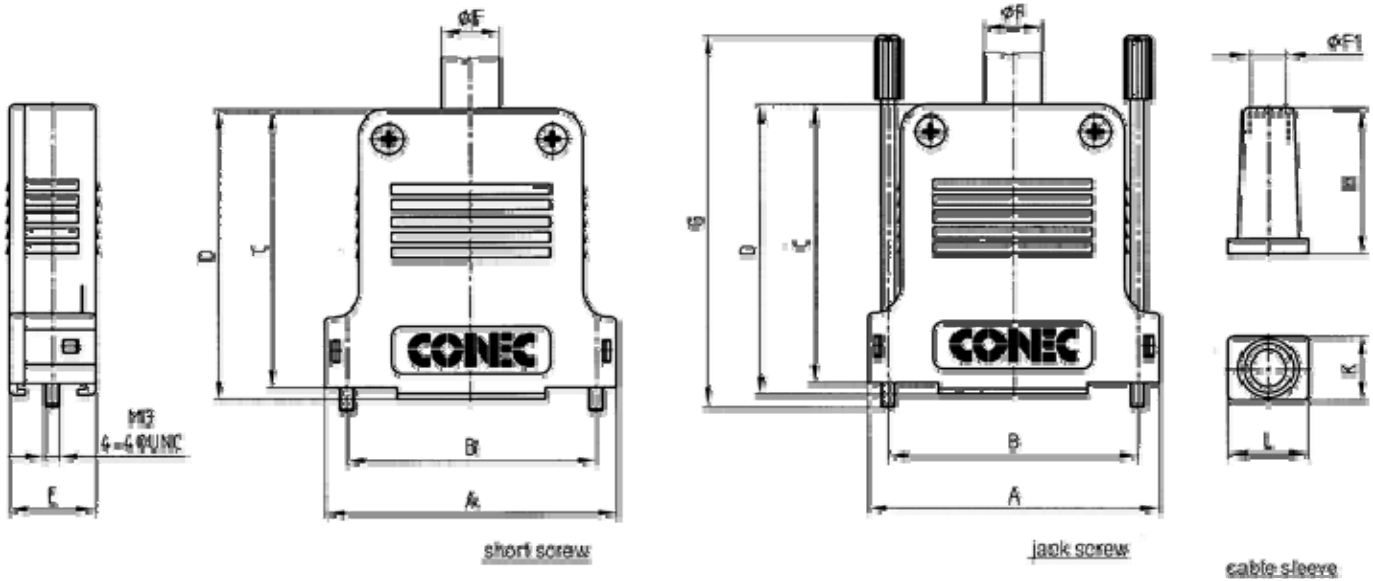
This series of hoods are designed for use with flat cable IDC D-SUB connectors. They are straight exit and are available in grey or metallized plastic versions. They are a two-piece design and come standard with screwdriver actuated screws.



Directive 2002/95/EC  
 „RoHS“  
 Compliant

Plastic hood  
 with straight cable exit  
 Large inner space suitable  
 for combination D-Sub

connectors



No. of pos.	A	B	C	D	E	ØF	ØF1	G	H	K	L
9	32.9	25.0	39.5	41.8	16.3	11.0	5.0	60.0	24.5	11.2	11.2
15	41.2	33.3	45.5	47.8	16.3	11.0	5.0	60.0	24.5	11.2	11.2
25	54.9	47.0	52.5	54.8	16.3	12.0	7.0	70.0	27.5	12.1	15.0
37	71.4	63.5	55.5	57.8	18.7	15.0	7.0	70.0	27.5	12.2	15.0
50	69.0	61.1	55.0	57.8	19.5	14.0	9.3	70.0	29.2	15.0	20.0

Easy assembly D-Subminiature hood, specially for combination connectors. The enlarged capacity offers sufficient space for the connector with crimp, high power or coax contacts. Short screws with UNC 4-40 thread and M3 thread are supplied or with special long jack screws.

**Straight Cable entry**

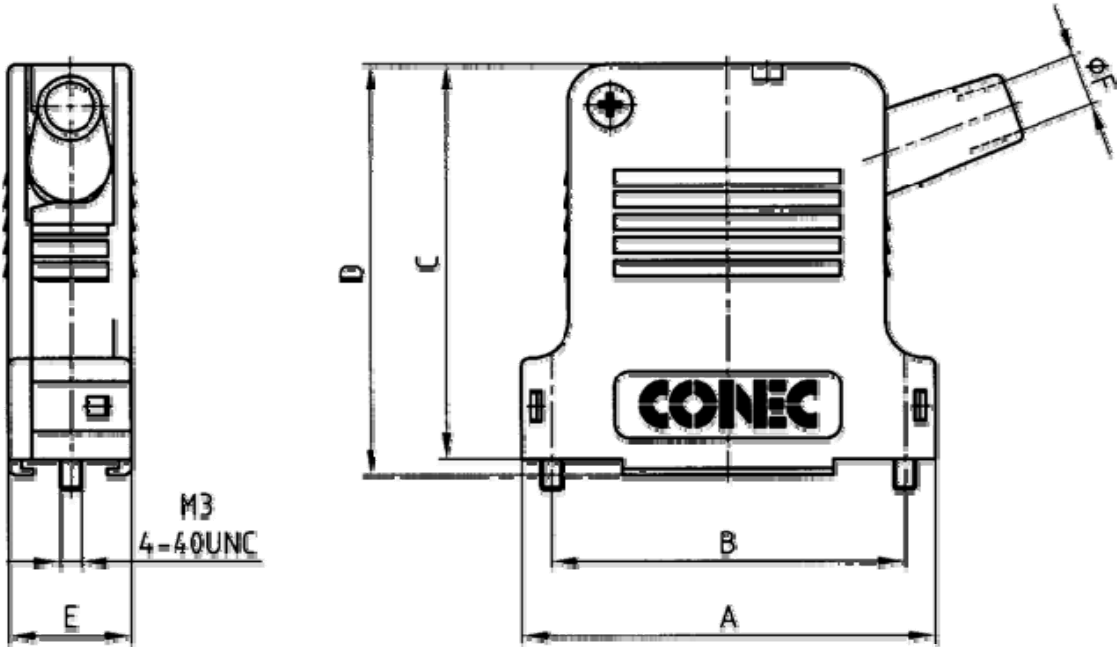
1. Material: Polyester GV, UL 94 V-O  
 ABS (metallized)
2. Colour: Black
3. Temperature: -33°C to +90°C



Directive 2002/95/EC  
 „RoHS“  
 Compliant

Plastic hood  
 with side cable exit  
 Large inner space suitable  
 for combination D-Sub

connectors



No. of pos.	A	B	C	D	E	ØF
9	32.9	25.0	39.5	41.8	16.3	5.0
15	41.2	33.3	45.5	47.8	16.3	5.0
25	54.9	47.0	52.5	54.8	16.3	7.0
37	71.4	63.5	55.0	57.8	18.7	7.0
50	69.0	61.1	55.0	57.8	19.5	9.3

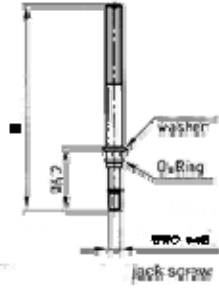
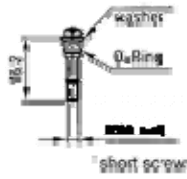
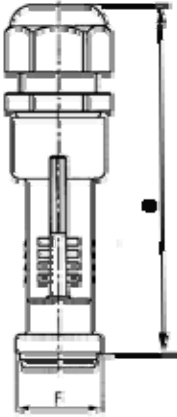
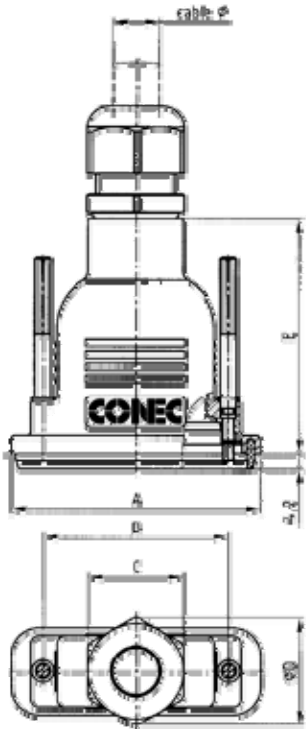
Easy assembly D-Subminiature hood, specially for combination connectors. The enlarged capacity offers sufficient space for the connector with crimp, high power or coax contacts. Jack screws with UNC 4-40 thread and M3 thread are supplied.

**Technical Data:**  
 Material: Polyester UL 94 V-O (black)  
 ABS (metallized)  
 Temperature range: -33°C to +90°C



Directive 2002/95/EC  
 „RoHS“  
 Compliant

Water resistant  
 D-subminiature hood  
 with UNC 4-40 thread



Shell Size	A	B	C	ØD	E	F	G +1 -3	H	Cable Ø
1	40.76	25.00	22	24.6	51.0	22.0	77.0	44.0	5 - 10
2	49.06	33.30	24	26.5	51.0	22.0	79.0	52.0	6 - 12
3	62.80	47.04	24	26.5	59.5	22.0	87.5	52.0	6 - 12
4	78.86	63.50	33	36.2	67.0	22.0	99.0	52.0	9 - 16
5	76.46	61.10	42	47.0	67.0	24.8	107.0	52.0	13 - 20

**Hood material:**

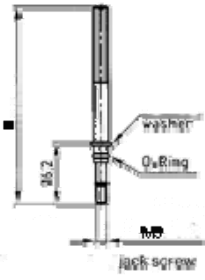
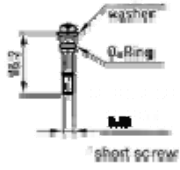
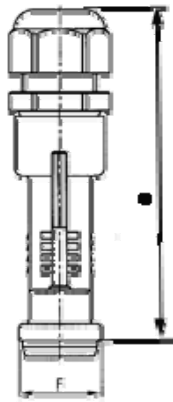
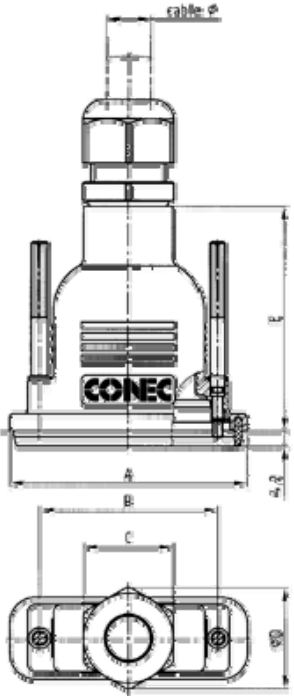
Hood: PBT + GF ( black/grey ) ABS V0

Screws: Stainless steel



Directive 2002/95/EC  
 „RoHS“  
 Compliant

Water resistant  
 D-subminiature hood  
 with M3 thread

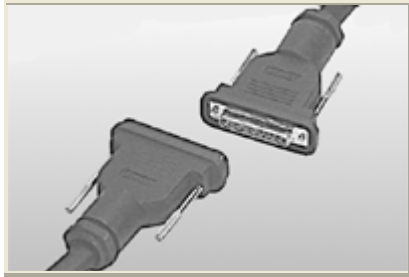


Shell Size	A	B	C	ØD	E	F	G +1 -3	H	Cable Ø
1	40.76	25.00	22	24.6	51.0	22.0	77.0	44.0	5 - 10
2	49.06	33.30	24	26.5	51.0	22.0	79.0	52.0	6 - 12
3	62.80	47.04	24	26.5	59.5	22.0	87.5	52.0	6 - 12
4	78.86	63.50	33	36.2	67.0	22.0	99.0	52.0	9 - 16
5	76.46	61.10	42	47.0	67.0	24.8	107.0	52.0	13 - 20

**Hood material:**

Hood: PBT + GF ( black/grey ) ABS V0

Screws: Stainless steel

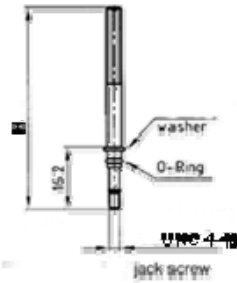
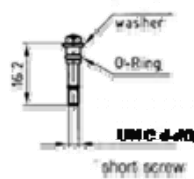
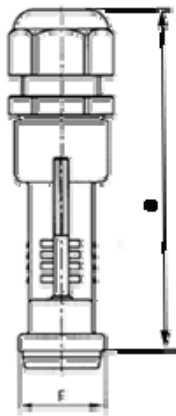
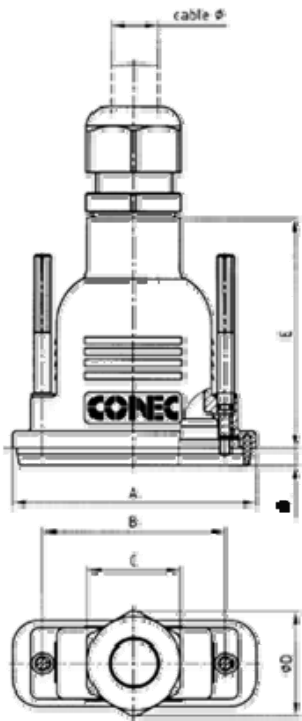


Directive 2002/95/EC  
 „RoHS“  
 Compliant

Water resistant D-subminiature hood  
 Cable-to-cable connection with UNC 4-40 thread

**A set consists of:**

- 1 Hood with frontseal completely assembled with screws
- 1 Hood without frontseal completely assembled with screws
- 2 Sets of seals for cable tightening
- 2 Hexbolts
- 2 Springwashers

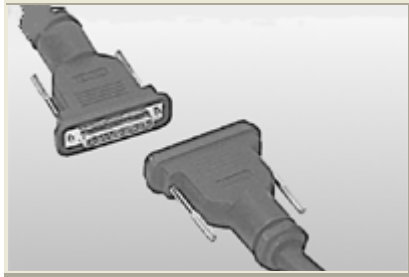


Shell Size	A	B	C	ØD	E	F	G +1 -3	H	Cable Ø
1	40.76	25.00	22	24.6	51.0	22.0	77.0	44.0	5 - 10
2	49.06	33.30	24	26.5	51.0	22.0	79.0	52.0	6- 12
3	62.80	47.04	24	26.5	59.5	22.0	87.5	52.0	6 - 12
4	78.86	63.50	33	36.2	67.0	22.0	99.0	52.0	9 - 16
5	76.46	61.10	42	47.0	67.0	24.8	107.0	52.0	13 - 20

**Hood material:**

Hood: PBT + GF ( black/grey ) ABS V0

Screws: Stainless steel

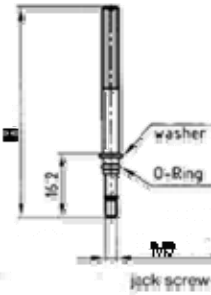
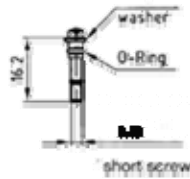
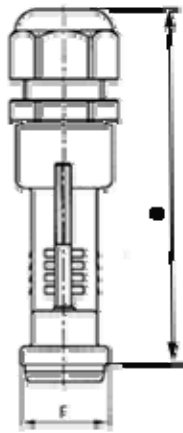
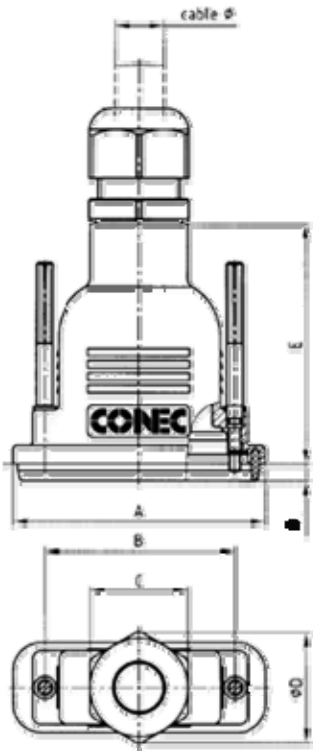


Directive 2002/95/EC  
 „RoHS“  
 Compliant

Water resistant D-subminiature hood  
 Cable-to-cable connection with M3 thread

**A set consists of:**

- 1 Hood with frontseal completely assembled with screws
- 1 Hood without frontseal completely assembled with screws
- 2 Sets of seals for cable tightening
- 2 Hexbolts
- 2 Springwashers



Shell Size	A	B	C	ØD	E	F	G +1 -3	H	Cable Ø
1	40.76	25.00	22	24.6	51.0	22.0	77.0	44.0	5 - 10
2	49.06	33.30	24	26.5	51.0	22.0	79.0	52.0	6- 12
3	62.80	47.04	24	26.5	59.5	22.0	87.5	52.0	6 - 12
4	78.86	63.50	33	36.2	67.0	22.0	99.0	52.0	9 - 16
5	76.46	61.10	42	47.0	67.0	24.8	107.0	52.0	13 - 20

**Hood material:**

Hood: PBT + GF ( black/grey ) ABS V0  
 Screws: Stainless steel