



3 Contact Row Signal Connectors

- Offset-grid contact layout, three contact rows within dielectric connector body, 2.54 mm center-to-center contact spacing in each row and 2.54 row-to-row spacing.
- 0.76 mm nominal pin DIA contact size, 80 and 160 contact positions, dip solder and SMT soldering contact termination types.
- High shock and vibration proof (no micro interruptions - test: 2ns).
- Conforms to MIL-DTL-55302/138 & 139.
- For Military (EH101) applications.

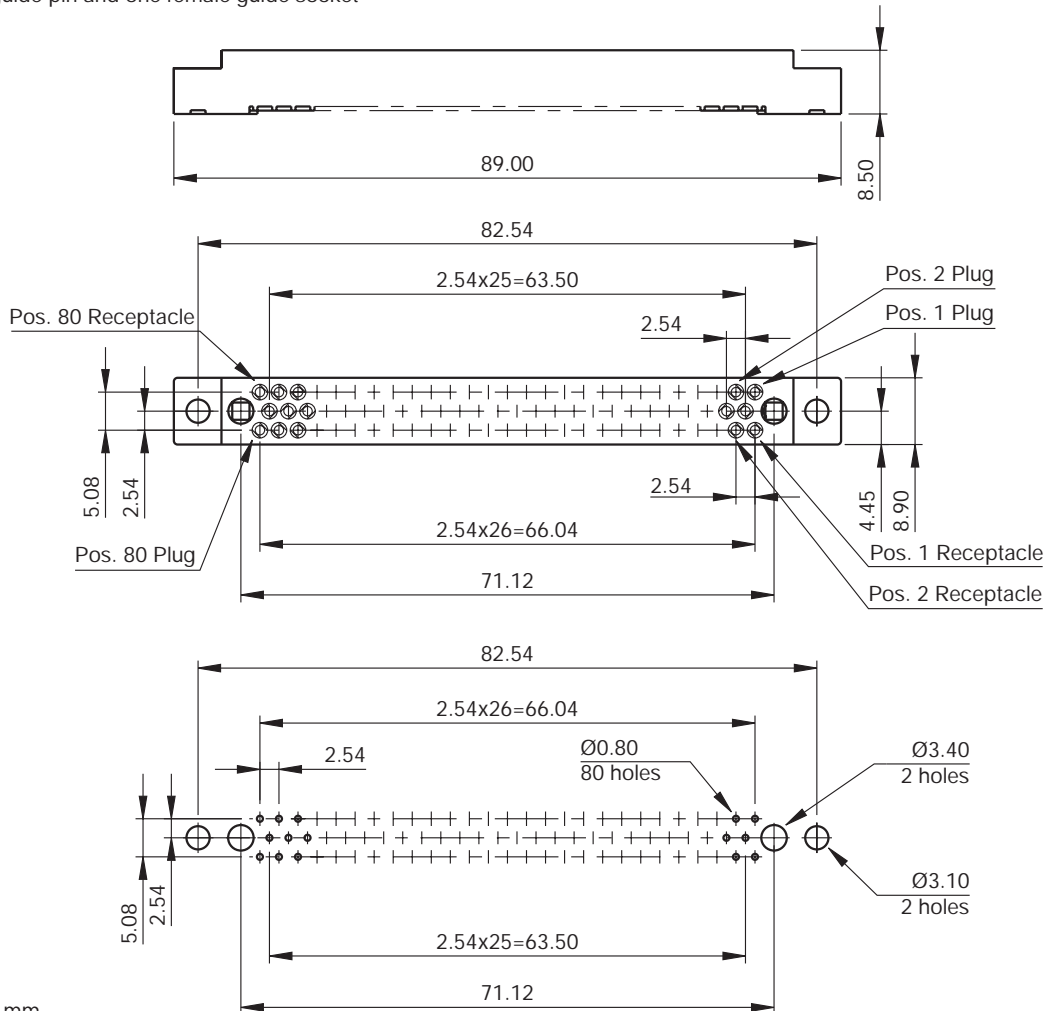
Technical Characteristics

Contact Number	80, 160
Contact Diameter	0.76 mm nominal pin DIA
Current Rating	5A
Contact Resistance	7.0 mΩ maximum
Extraction Force	<110 g/cont.
Contact Life Cycle	>10.000 cycles
Dielectric Withstanding Voltage	> 1000 V rms – Sea level
Temperature Rating	-55 °C to +150 °C
Insulation Resistance	>10 ⁶ MΩ at 500 V dc
Insulator	- thermosetting according to MIL-M14 and thermoplastic according to MIL-M-24519 - ESA SCC 3401 Outgassing requirements compliance
Contact - Material - Plating	Brass Gold Plate
Guide Hardware	Nickel plated brass or stainless steel

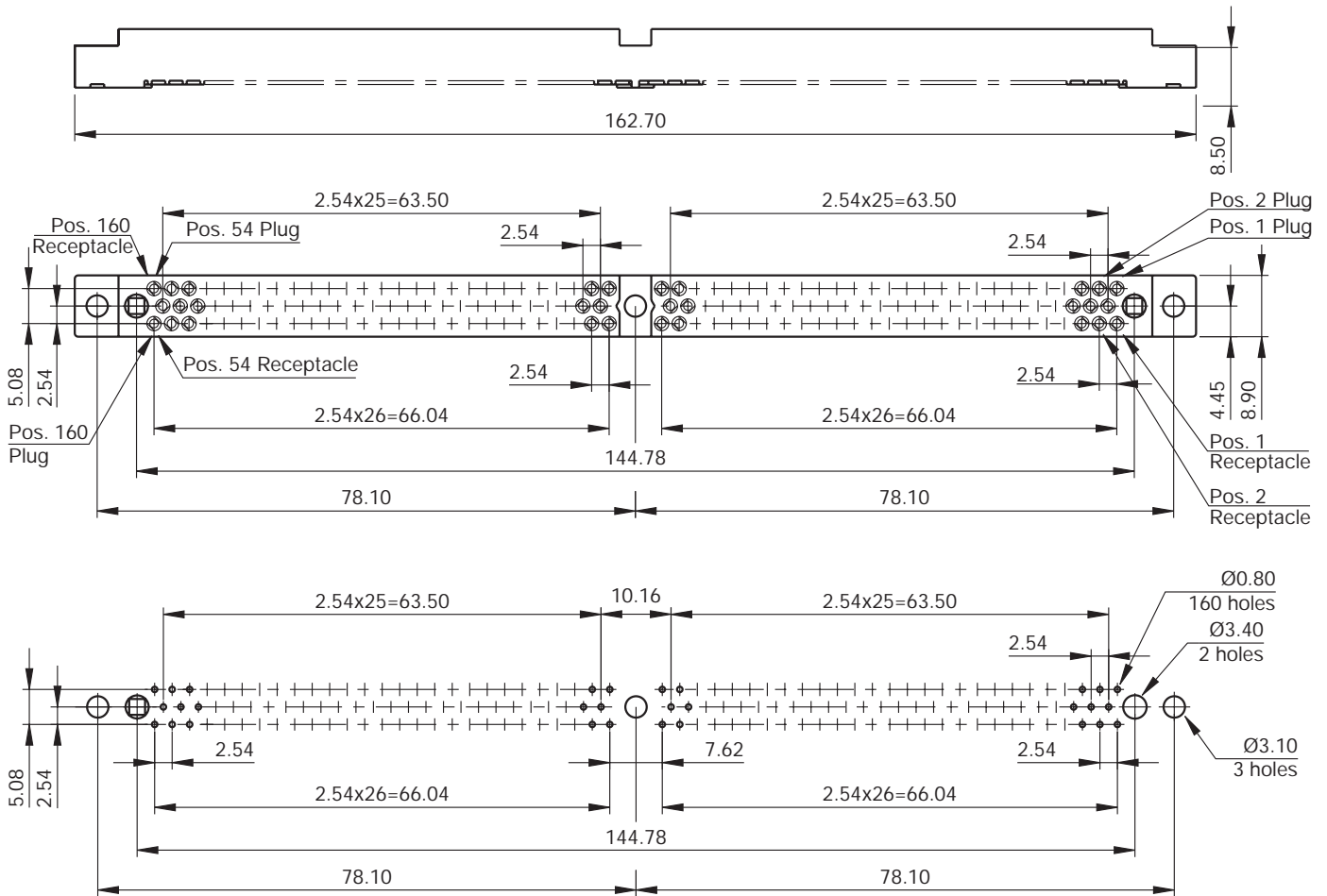
Ordering Information

Connector family	ST1006	Contact arrangement: three rows	C	* * *	* *	*	*	* *	*	Contact finishing	Plating standard Plating conforming to MIL-DTL-55302	T H
Connector size	80, 160	Connector and contact style	Receptacle female Plug male	EF PM						Hardware polarization	Without guide Guide type Y (pos. 1 without Loctite) Guide type X (pos. 69 without Loctite) Guide type Y ⁽¹⁾ Guide type X ⁽²⁾ Guide type X, Y shipped loose ⁽³⁾ Guide type X, Y shipped loose ⁽³⁾ Guide type X, Y shipped loose ⁽³⁾	00 00 00 01÷64 69÷72 97 98 99
Contact terminal style	Straight Straight Straight Wire wrap Wire wrap for PCB for PCB Solder cup	D E G Y W F H S						Hardware code	D-shaped Full round Without guide	Y X O		

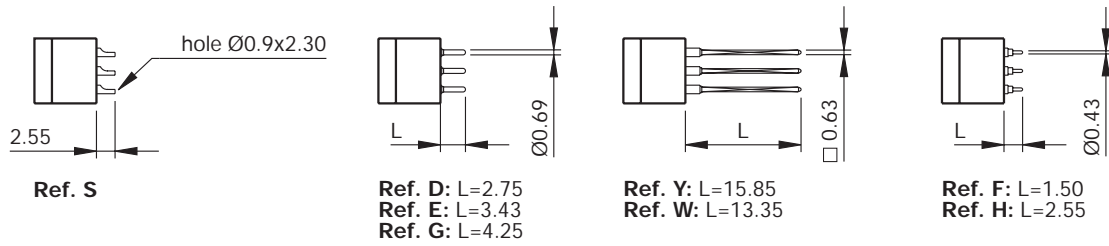
- ⁽¹⁾ Polarization guide type Y:
01÷32: one male guide pin and one female guide socket
33÷48 Plug: two male guide pin
Receptacle: two female guide socket
- ⁽²⁾ Polarization guide type X:
69÷70: one male guide pin and one female guide socket
71÷72 Plug: two male guide pin
Receptacle: two female guide socket
- ⁽³⁾ Loose guide:
97 - two male guide pin
98 - two female guide socket
99 - one male guide pin and one female guide socket



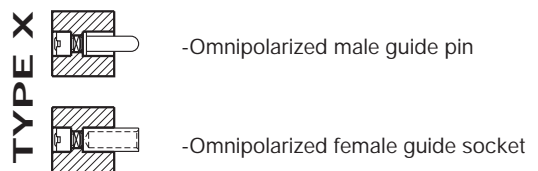
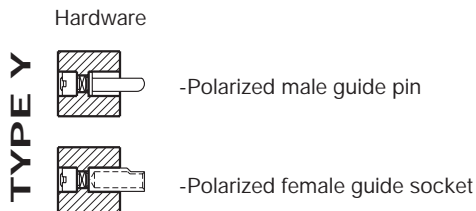
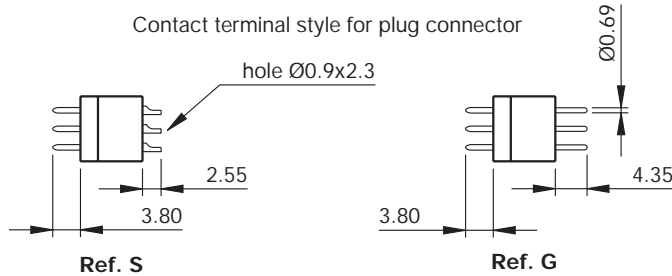
Dimensions are in mm



Contact terminal style for receptacle connector

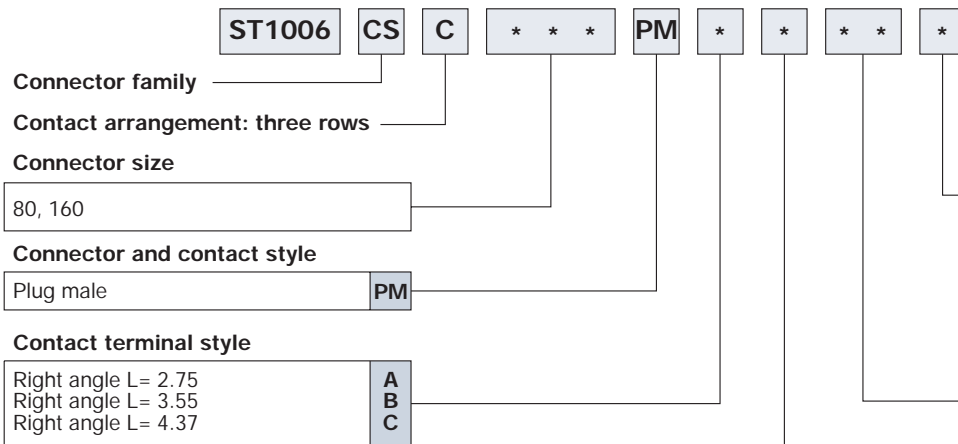


Contact terminal style for plug connector



Dimensions are in mm

Ordering Information



Contact finishing

Plating standard	T
Plating conforming to MIL-DTL-55302	H

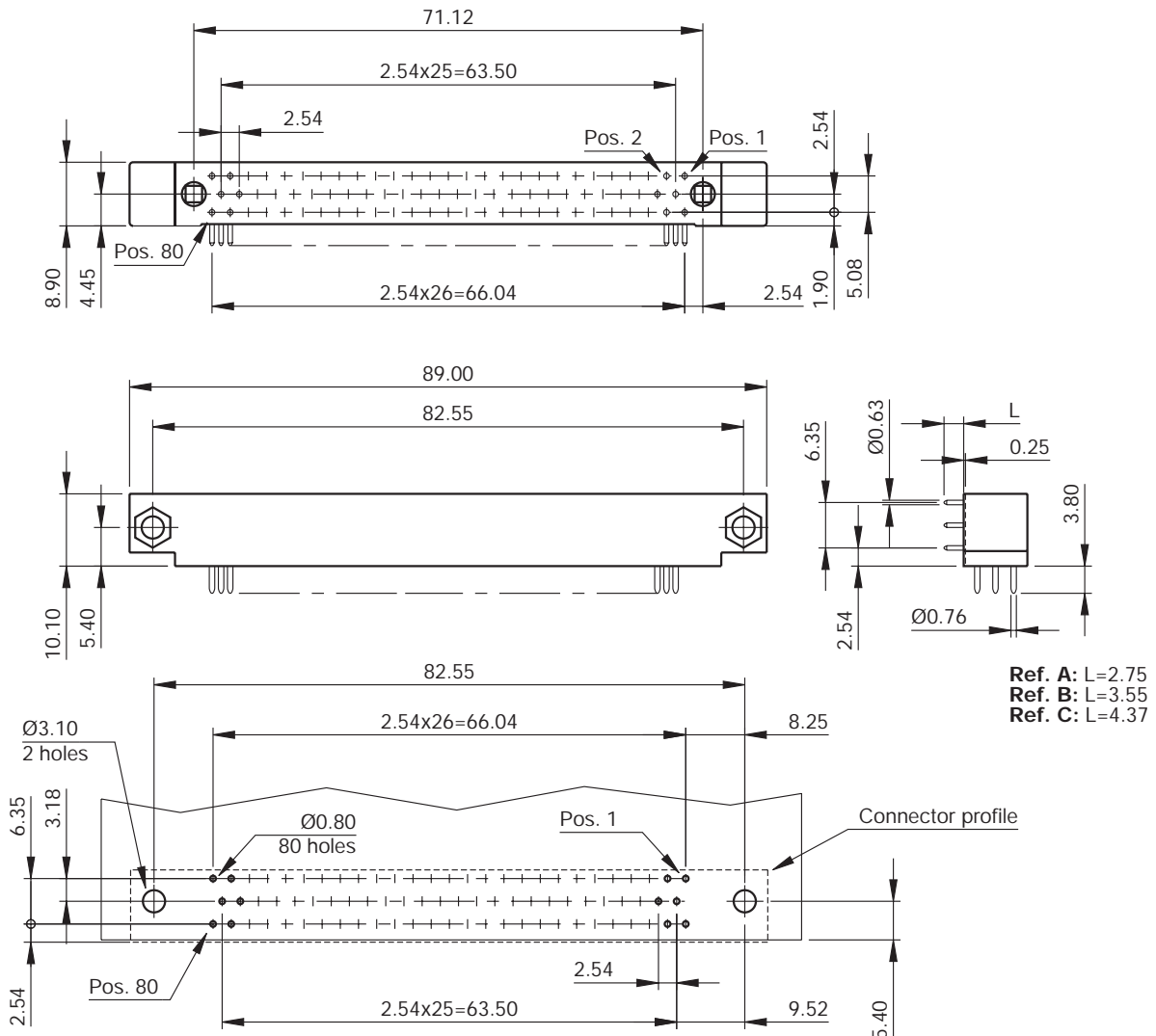
Hardware polarization

Without guide	00
Guide type Y (pos. 1 without Loctite)	00
Guide type X (pos. 69 without Loctite)	00
Guide type Y ⁽¹⁾	01+64
Guide type X ⁽²⁾	69+72
Guide type X, Y shipped loose ⁽³⁾	97
Guide type X, Y shipped loose ⁽³⁾	98
Guide type X, Y shipped loose ⁽³⁾	99

Hardware code

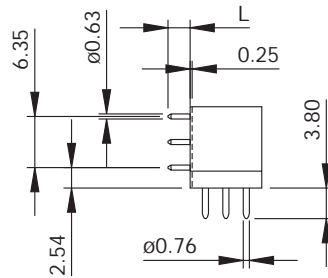
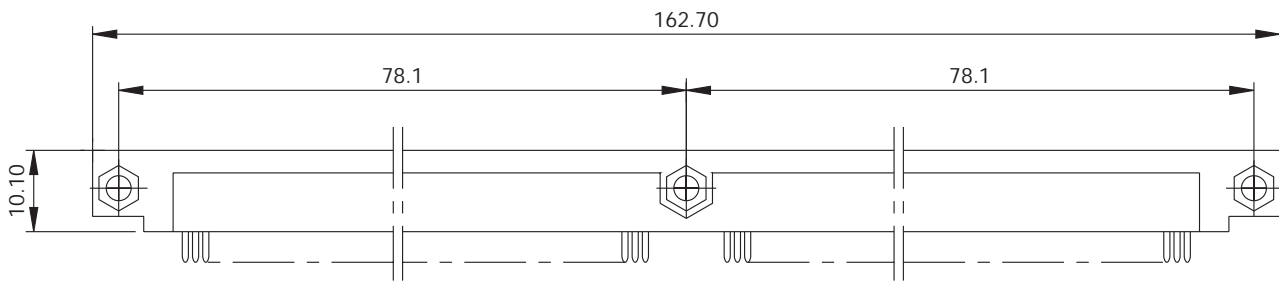
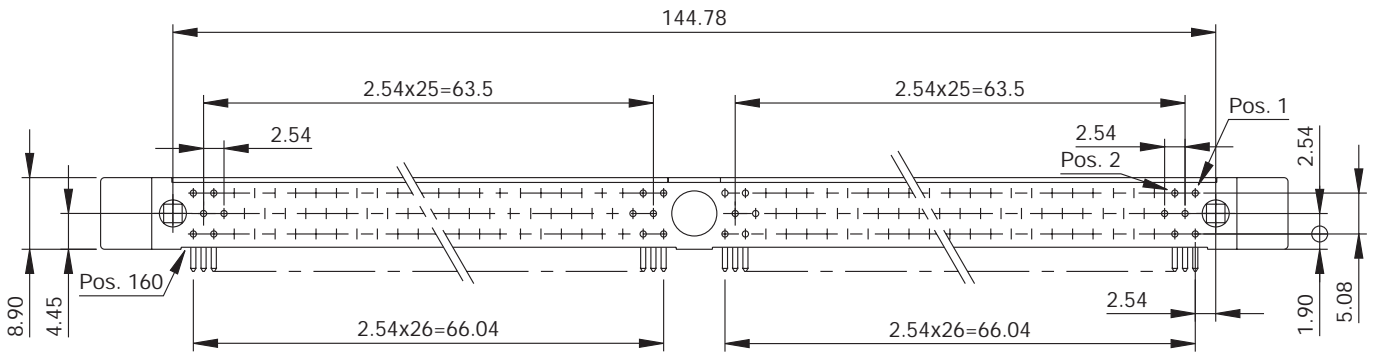
D-shaped	Y
Full round	X
Without guide	O

- ⁽¹⁾ Polarization guide type Y:
 01+32: one male guide pin and one female guide socket
 33+48 Plug: two male guide pin
 Receptacle: two female guide socket
- ⁽²⁾ Polarization guide type X:
 69+70: one male guide pin and one female guide socket
 71+72 Plug: two male guide pin
 Receptacle: two female guide socket
- ⁽³⁾ Guide shipped loose:
 97 - two male guide pin
 98 - two female guide socket
 99 - one male guide pin and one female guide socket

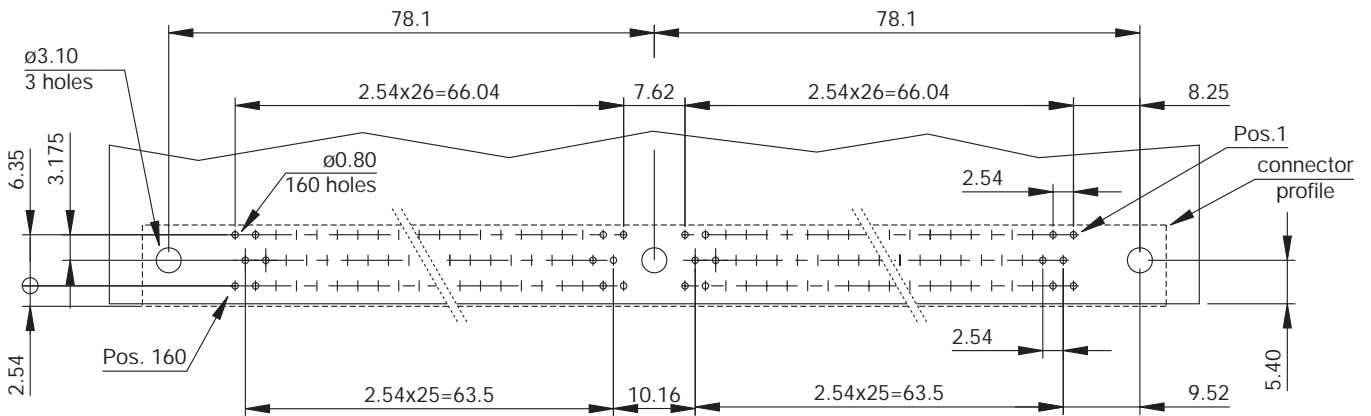


Ref. A: L=2.75
 Ref. B: L=3.55
 Ref. C: L=4.37

Dimensions are in mm

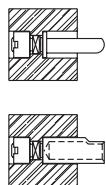


Ref. A: L=2.75
 Ref. B: L=3.55
 Ref. C: L=4.37



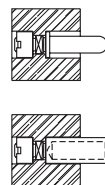
Hardware

TYPE Y



- Polarized male guide pin
- Polarized female guide socket

TYPE X



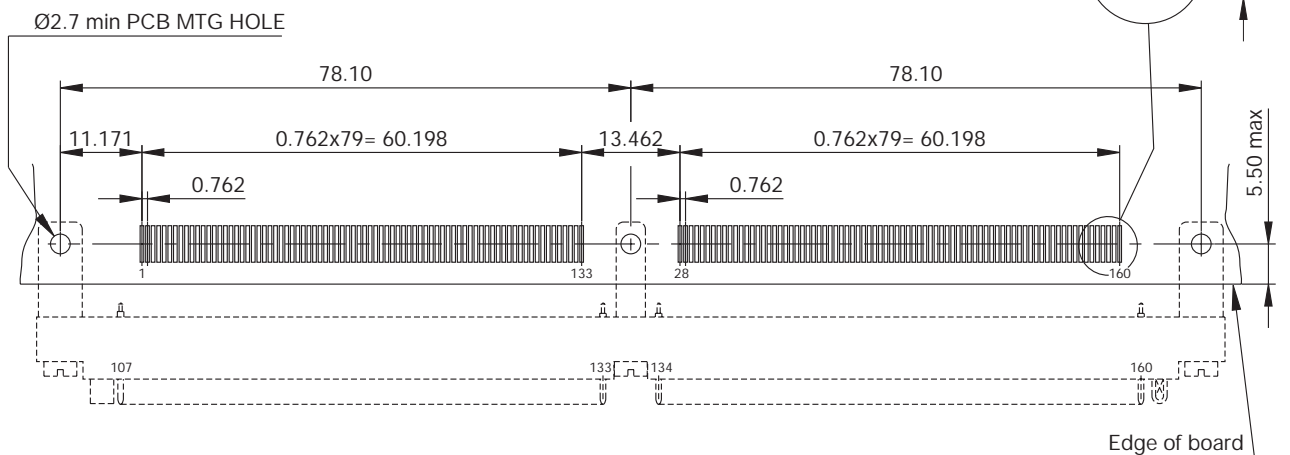
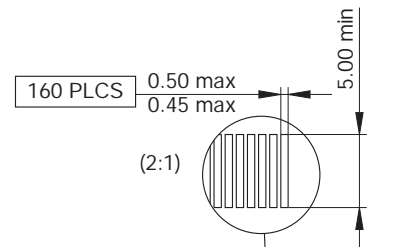
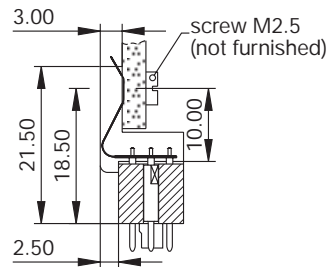
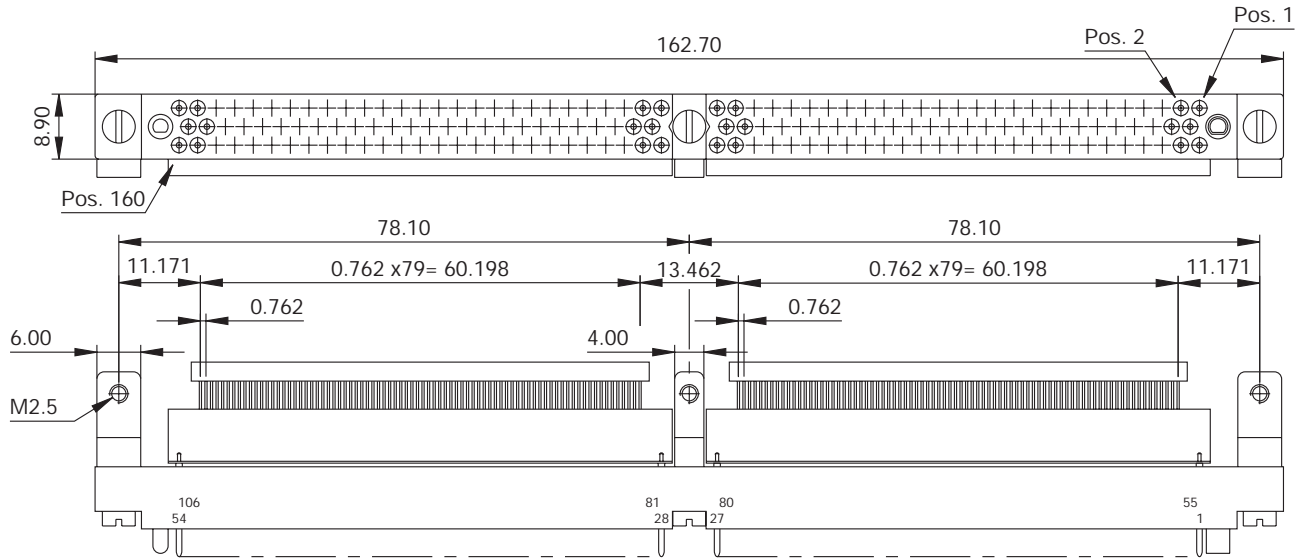
- Omnipolarized male guide pin
- Omnipolarized female guide socket

Dimensions are in mm

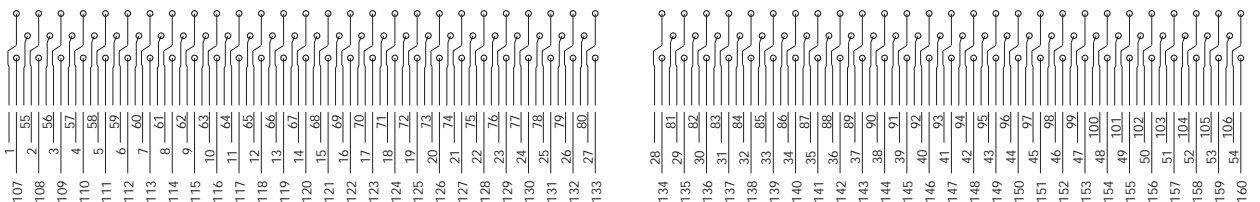
Ordering Information

CSC160PMU * * * / **18937**

- Hardware code See ST.1006 connector
- Hardware polarization See ST.1006 connector
- Contact finishing See ST.1006 connector



Assignment Diagram (termination side)

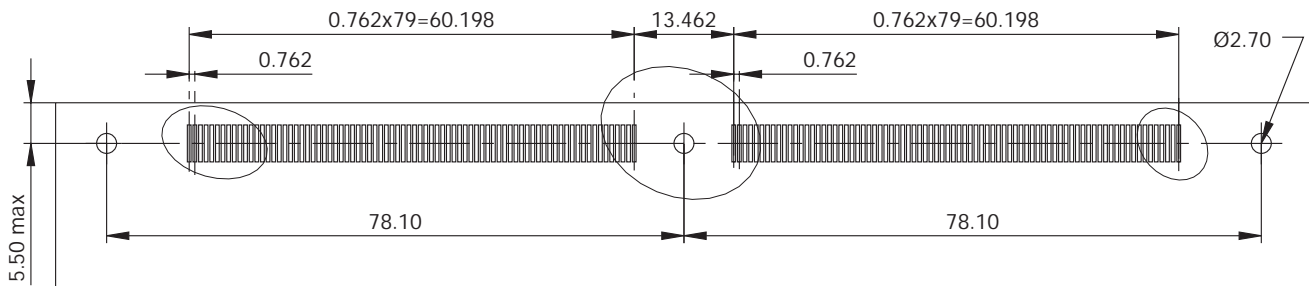
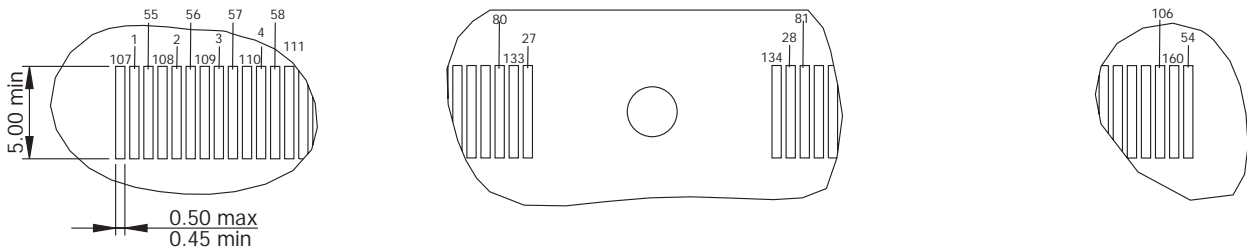
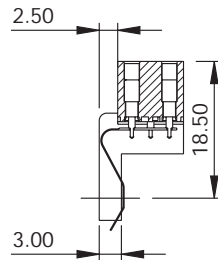
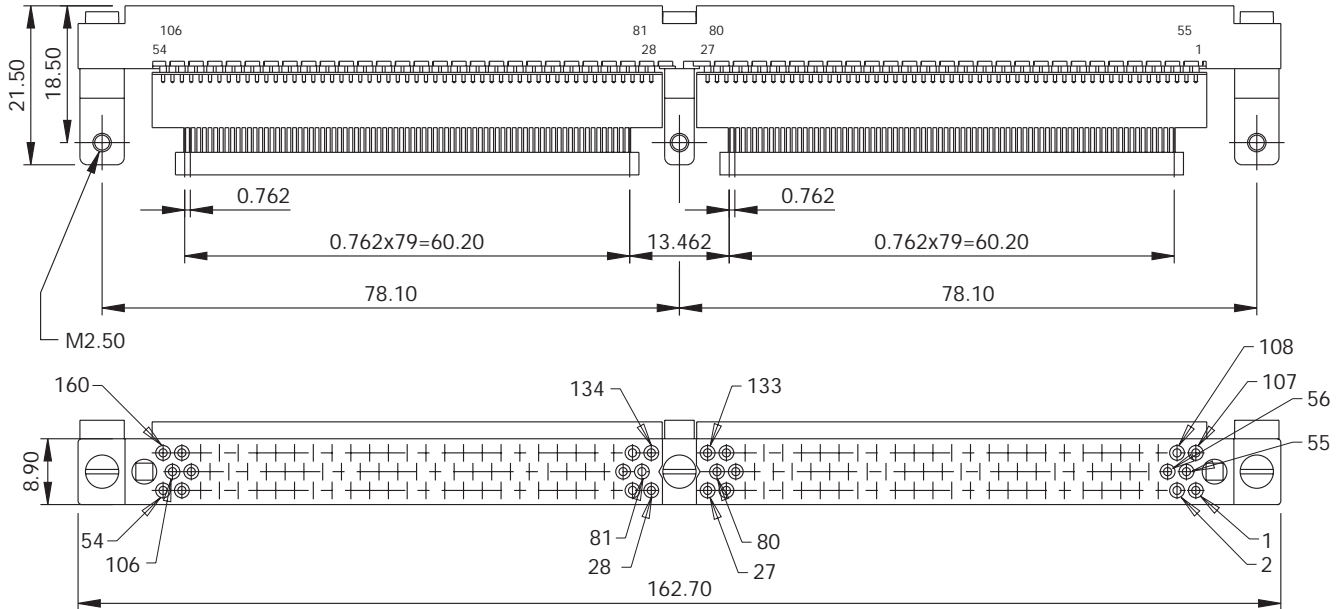


Dimensions are in mm

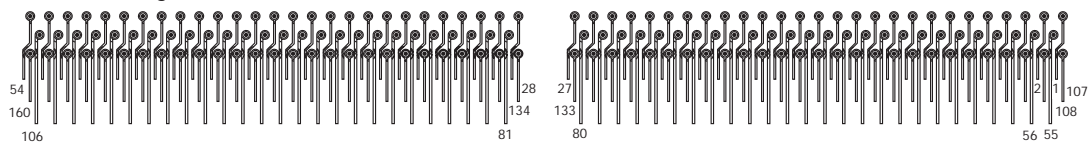
Ordering Information

CSC160EFU * * * * / **21676**

- Hardware code** See ST.1006 connector
- Hardware polarization** See ST.1006 connector
- Contact finishing** See ST.1006 connector



Contact assignment (termination side)



Dimensions are in mm