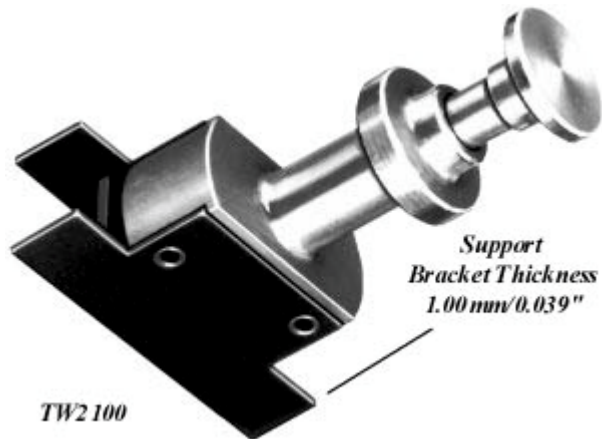


DIP - Insertion/Extraction Tools

DIP Insertion Tools



-
- For precision insertion of DIP ICs into sockets, circuit boards and other plug and socket couplings
 - Available for 8-pin to 64-pin DIP ICs
 - All metal design with grounding facility against static charge
 - Pressure device ensures precise handling and parallel insertion without twisting
-

Series TW2100 Insertion Tools

	Part No.	Used for	Contact Row Spacing
	TW2100-16	16 pins	7.62mm/0.3"
	TW2100-20	20 pins	7.62mm/0.3"
	TW2100-24/3	24 pins	7.62mm/0.3"
	TW2100-24/6	24-28 pins	15.24mm/0.6"
	TW2100-40	40-48 pins	15.24mm/0.6"