

SSOP - TEST CLIPS

SSOP TEST CLIPS

These test clips provide you with an easy means to connect your instrument to the fine pitch plastic SSOP chip leads. SSOP test clips are perfect for emulation, field service testing, and failure analysis.

The locking mechanism holds the clip to the device by gripping the chip body at the ends of the package. Each contact is individually canted to assure positive contact, regardless of coplanarity. The top interface connects with high density IDC cable connectors.

MATERIAL:

Upper Contacts - .018 sq. pins, Phosphor Bronze, gold plated, 30 microinches Max

Lower Contacts - Beryllium Copper, gold plated. Handle, Aluminum alloy, black anodized

INSULATION: Body, Ultem and nylon.

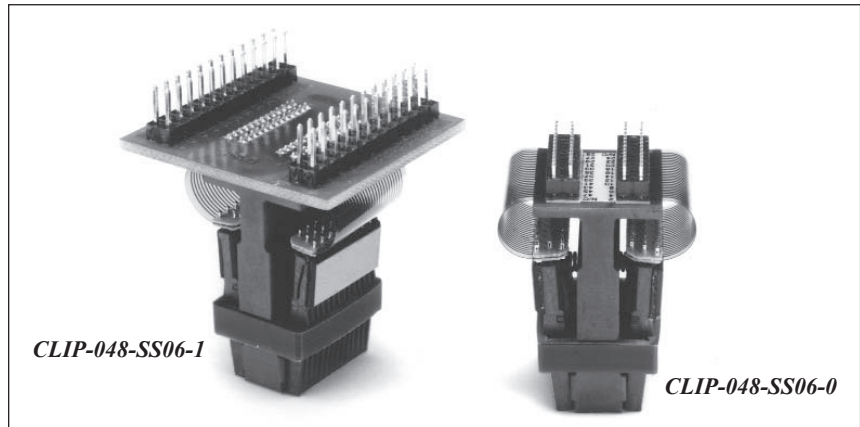
CONDUCTOR: Beryllium Copper, gold plated. Insulation, Kapton

RATING: 250 VRMS; 1 Amp; +110°C (+230°F) Max.

FEATURES

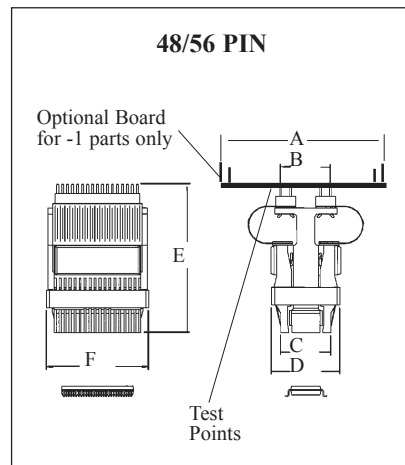
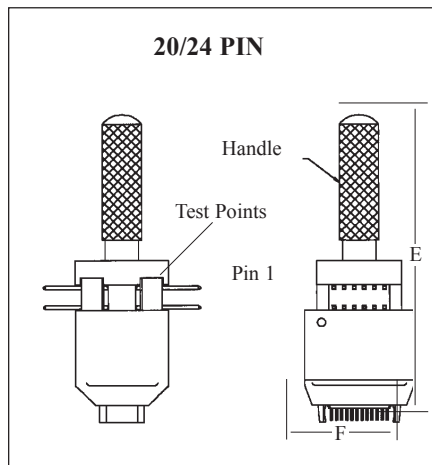
- Interfaces with high density SSOP chip leads
- Locking feature insures positive retention on the chip in either vertical or horizontal position
- Label on top of clip provides a guide for pin numbering
- Gold plated contacts for the chip leads and the connector pins assure noise free connection

Note: Will not work on .110" or thicker IC



Ordering Information Example

Pin Count _____ Clip Version:
 Product Code _____ CLIP-048-SS06-1 -0 = .05" Test Point Spacing
 SSOP Footprint (see Footprint Section) _____ -1 = .1" Test Point Spacing



48/56 SSOP Test Clip Dimensions

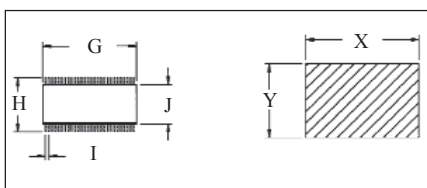
Part #	Document #	A	B	C	D	E	F
CLIP-048-SS06-0	F2013	1.15	.500	.506	.695	1.50	.835
CLIP-048-SS06-1	F2012	1.15	.500	.506	.695	1.50	.835
CLIP-048-SS15-2	Consult Drawing						
CLIP-056-SS06-0	F2011	1.15	.500	.506	.695	1.50	1.02
CLIP-056-SS06-1	F2008	1.15	.500	.506	.695	1.50	1.02

48/56 SSOP Dimensions/Required Board Space

Package Type	G	H	I	J	X	Y
48-SS06	.625"	.420"	.025"	.300"	.720"	.570"
56-SS06	.725"	.420"	.025"	.300"	.870"	.570"

20/24 SSOP Test Clip Dimensions/Required Board Space

Part #	Document #	Pin Ct	E	F	I	J	X	Y
CLIP-020/24-SS12-1	F3708	20/24	1.54"	.54"	.025"	.154"	.540"	.530"
CLIP-020-SS04-1	F3707	20	1.54"	.54"	.065"	.209"	.370"	.310"
CLIP-024-SS04-1	F3709	24	1.54"	.54"	.065"	.209"	.400"	.310"



For a complete test clip listing, pricing and delivery information, please see
Web Link: www.1800adapter.com/040