

TEST CLIPS - SOIC / FLYING TEST LEADS

FEMALE TO FEMALE		
Part #	Length	Quantity
03-3103	76 mm (3.0")	10/pkg
03-3104	101.5 mm (4.0")	10/pkg
03-3106	152.4 mm (6.0")	10/pkg
03-3110	254 mm (10.0")	10/pkg
03-3112	305 mm (12.0")	10/pkg

FEMALE TO MALE		
Part #	Length	Quantity
04-3103	76 mm (3.0")	10/pkg
04-3104	101.5 mm (4.0")	10/pkg
04-3106	152.4 mm (6.0")	10/pkg
04-3110	254 mm (10.0")	10/pkg
04-3112	305 mm (12.0")	10/pkg
04-3136	915 mm (36.0")	10/pkg



FEMALE TO MALE NOT SHOWN.

FEMALE TO FEMALE

WIRE: 26 AWG, 19X38 t.c., polyvinyl insulation.
1ST END: Female. Plugs onto .025" wire wrap post; maintains 1/10" spacing.
2ND END: Female.
RATING: Operating Voltage: 500 VRMS Max.; +50⁰ (+122⁰F)

FEMALE TO MALE

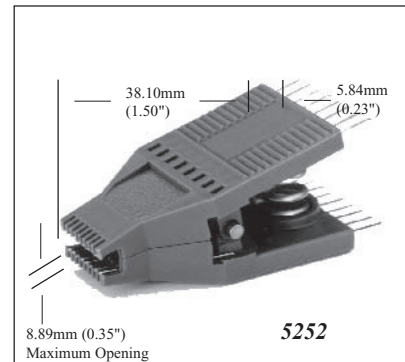
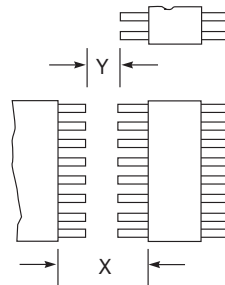
WIRE: 26 AWG, 19X38 t.c., polyvinyl insulation.
1ST END: Female. Plugs onto .025" wire wrap post; maintains 1/10" spacing.
2ND END: Male.
RATING: Operating Voltage: 500 VRMS Max.; +50⁰ (+122⁰F)

*For a complete SOIC Flying Test Leads listing, pricing and delivery information, please see:
Web Link: www.1800adapter.com/089*

SOIC CLIP™

This test clip is designed specifically for testing Small Outline Integrated Circuits (SOIC). The SOIC Clip™ assures a positive connection and provides hands-free testing convenience.

- 0.64mm (.025") square access pins on upper end permits either individual pin testing or the use of 2.54mm (.100") spaced connectors. Lead pitch is .050".
- Molded barrier between each contact allows connections to be made on live boards without accidental shorting of adjacent contacts



INSULATION: Glass-filled nylon, blue.

CONTACT: Beryllium Copper, gold plated.

RATING: 500 VRMS; 1 Amp; +102⁰C (+216⁰F) Max.

	X Min.	Y Min.
Single Chip Testing	4.06mm (.160")	1.52mm (.060")
Narrow Body (Adjacent)	15.24mm (.600")	12.70mm (.500")
Wide Body (Adjacent)	8.51mm (.335")	5.97mm (.235")

Pin Count	Part #
8	5250
14	5251
16	5252
20	5253
24	5254
28	5437
32	6107
40	6108
44	6109

*For a complete test clip listing, pricing and delivery information, please see
Web Link: www.1800adapter.com/040*