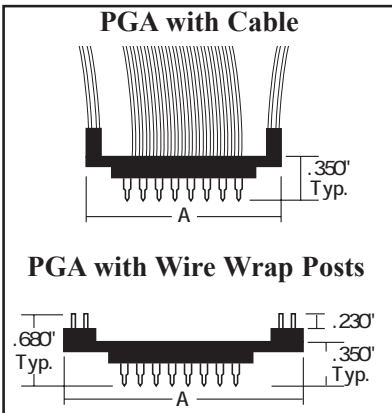


# EMULATOR PODS - PGA, LCC & PLCC

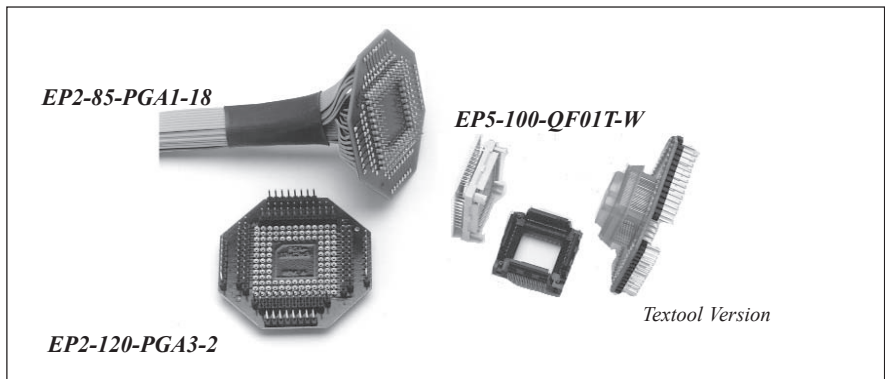
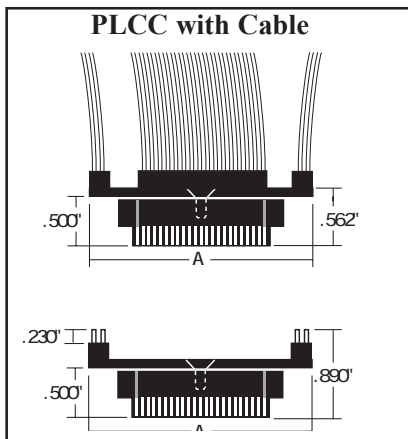


PGA		
10 X 10	Document #	Dim. A
EP2-068-PGA2-18	F1090	1.70" SQ.
11 X 11		
EP2-068-PGA1-12	F2489	1.80" SQ.
14 X 14		
EP2-196-PGA8-18	F2509	2.40" SQ.

- Emulator pods can be wired directly to test equipment or emulators where access to a PGA or PQFP socket is required
- Available with male 0.025" square wirewrap posts or 12" or 18" cables
- Now available for soldering to PQFP SMT pads on a PC board, allows you to lay out your PC board with PQFP pads and still access your PC board with test equipment

For a complete listing of PGA emulator adapters, and additional information see:

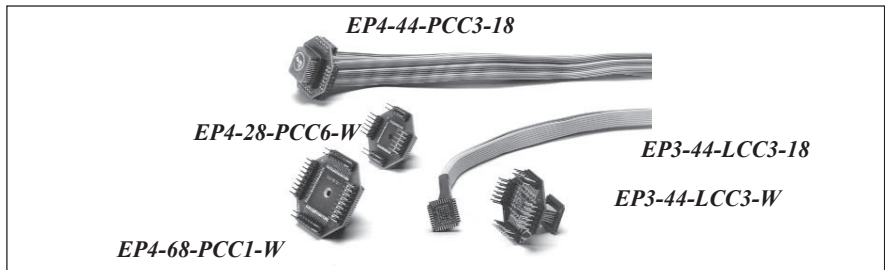
Web Link: [www.1800adapter.com/027](http://www.1800adapter.com/027)



**PGA Ordering Information Example**

Pin Count \_\_\_\_\_  
 Product Code \_\_\_\_\_ EP 5-100-PGA2-\*  
 Male Plug: 5 = Socket Plug \_\_\_\_\_  
 Male Plug Footprint (see Footprint Section) \_\_\_\_\_

NW = No Wire Wrap Posts  
 W = Wire Wrap Posts  
 12/18/36 = Cable Length (inches)  
 SM = Small Base  
 Socket Type: A = AMP, T = TEXT TOOL



**Ordering Information Example**

Pin Count \_\_\_\_\_  
 Product Code \_\_\_\_\_ EP 4-44-PCC3-\*  
 Male Plug \_\_\_\_\_

NW = No Wire Wrap Post  
 W = Wire Wrap Post  
 12/18 = Cable Length (inches)  
 Male Plug Footprint (see Footprint Section)

LCC			PLCC		
Description	Document #	DIM. A	Description	Document #	DIM. A
EP3-32-LCC7-12 (18)	F1818	1.20" SQ.	EP4-68-PCC1-NW	F1065	1.75" SQ.
EP3-44-LCC3-12 (18)	F1819	.65" SQ.	EP4-68-PCC1-W	F1132	1.75" SQ.
EP3-68-LCC2-12	F1825	.95" SQ.	EP4-68-PCC1-12	F2532	1.75" SQ.
EP3-68-LCC2-18	F1826	.95" SQ.	EP4-68-PCC1-18	F1617	1.75" SQ.
			EP4-84-PCC5-NW	F1119	1.95" SQ.
PLCC					
Description	Document #	DIM. A			
EP4-20-PCC2-W	F1114	.95" SQ.			
EP4-20-PCC2-18	F1613	.95" SQ.			
EP4-28-PCC6-W	F1115	1.35" SQ.			
EP4-28-PCC6-18	F1614	1.35" SQ.			
EP4-32-PCC7-W	F1555	1.2" SQ.			
EP4-32-PCC7-12	F2524	1.2" SQ.			
EP4-32-PCC7-18	F1113	1.2" SQ.			
EP4-44-PCC3-NW	F2527	1.45" SQ.			
EP4-44-PCC3-W	F1193	1.45" SQ.			
EP4-44-PCC3-12	F2526	1.45" SQ.			
EP4-44-PCC3-18	F1615	1.45" SQ.			
EP4-52-PCC4-W	F1448	1.55" SQ.			
EP4-52-PCC4-12	F2528	1.55" SQ.			
EP4-52-PCC4-18	F1616	1.55" SQ.			

For a complete listing of LCC & PLCC emulator adapters, please see:  
 Web Link: [www.1800adapter.com/025](http://www.1800adapter.com/025)