



Solder Contacts on Both Sides of Bulkhead

Designed for high vibration environment. Wire soldered on both sides of the feed-through: no plugs needed.

Cost and space saving ■ Adapted to space-constrained area.
No plugs necessary.

Easy to solder ■ Contacts fully tin plated.
Different contact sizes available.

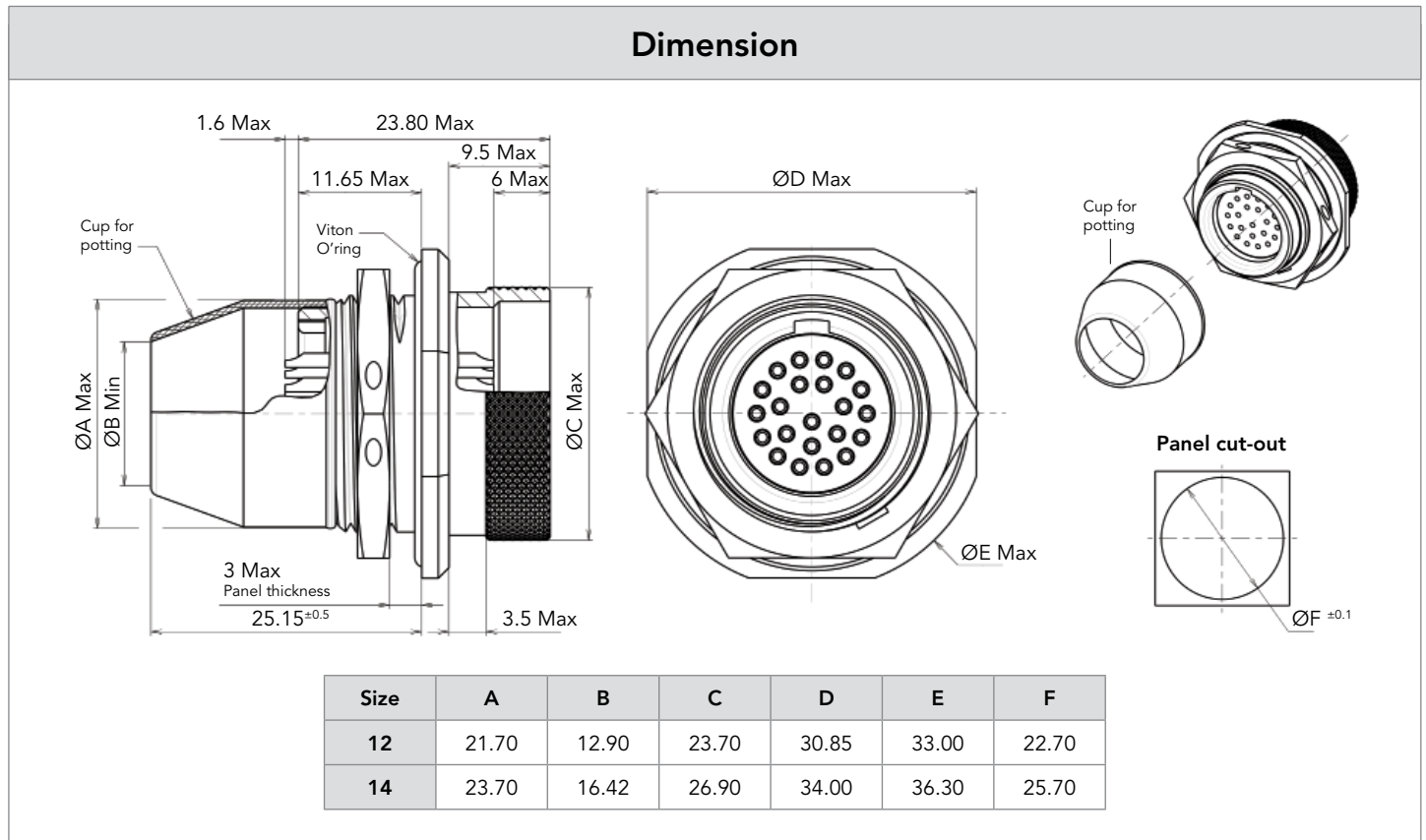
High performance sealing ■ $<1.10^{-7}$ atm.cm³/s.

Heat shrink boot version ■ AM44 connector with specific shell:



Specific shell development on demand,
please consult us.

8STA Series | Hermetic Feed-through



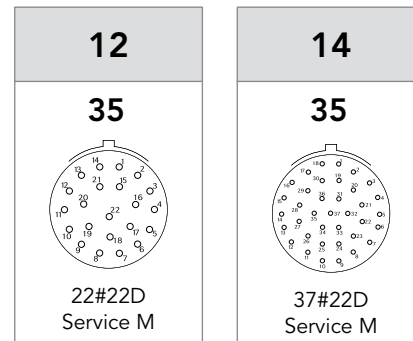
Note: All dimensions are in millimeters (mm)

Ordering information

Basic Series	8STA	7Y	12	35	199
Shell type	7Y: Hermetic Jam Nut receptacle				
Shell size	12, 14				
Contact layout	35				
Specification	199: #22 solder cup contacts on both sides				

Note: Delivery will contain the cup for potting and the jam nut receptacle not mounted.

Contact layouts



For further information contact us at contactmilaero@souriau.com or visit our web site www.souriau.com