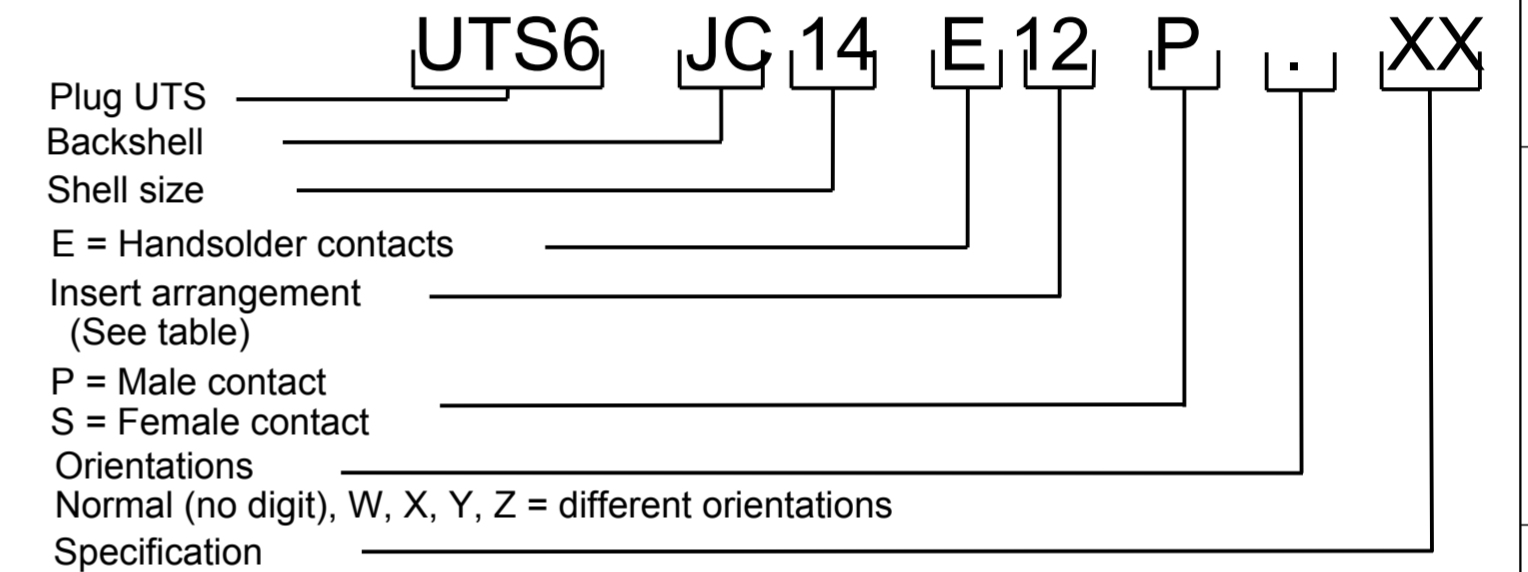
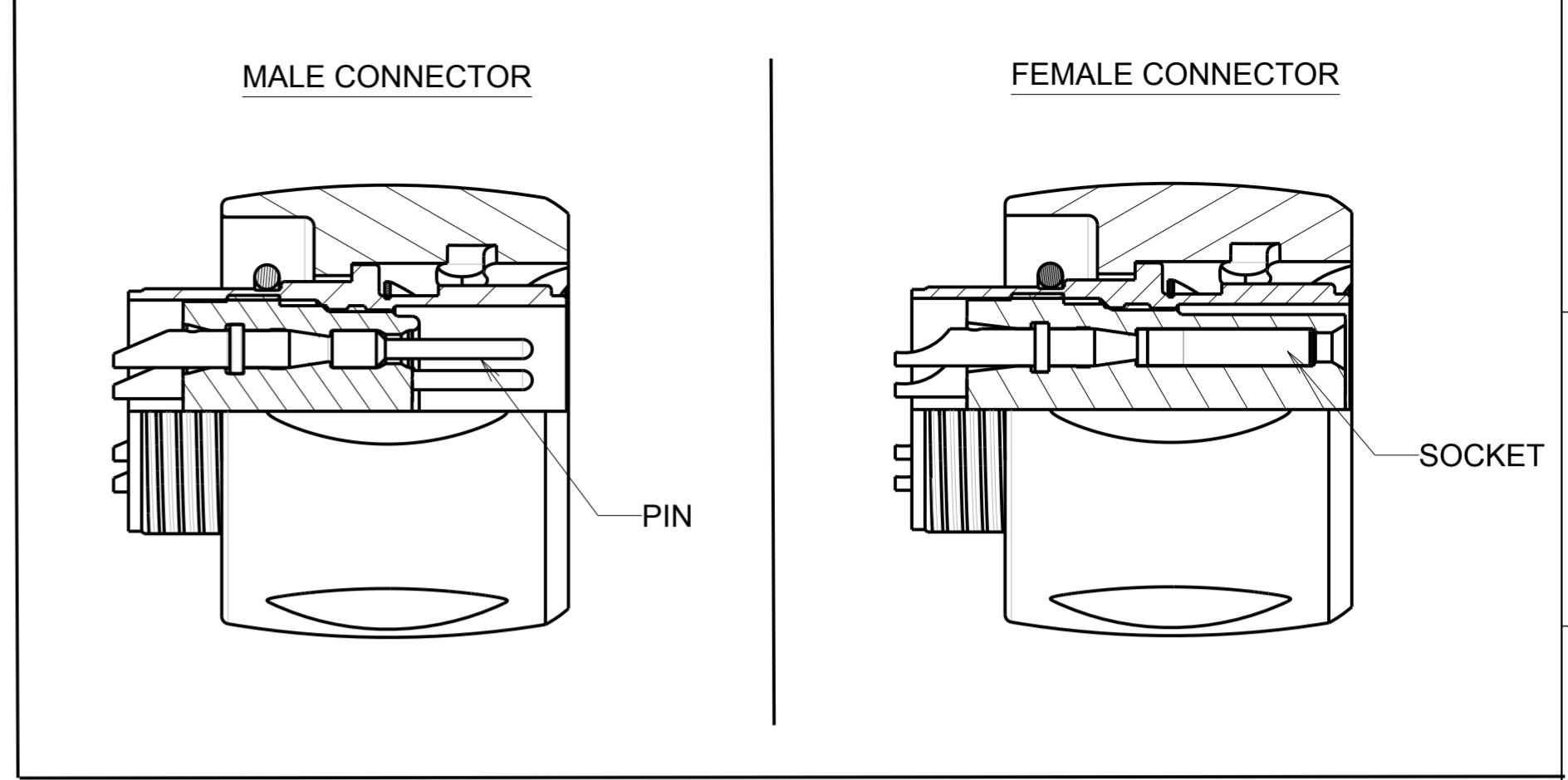
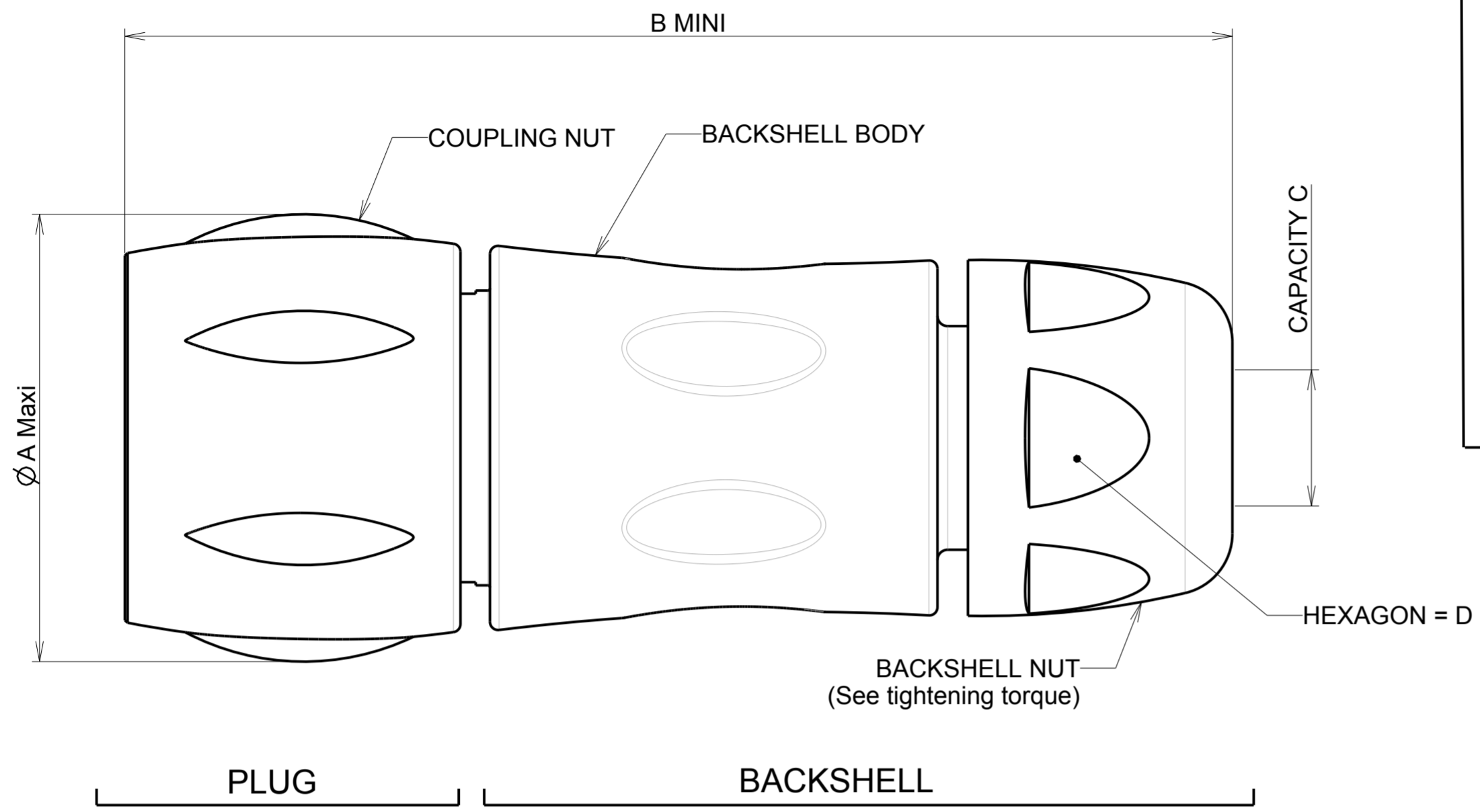


h : 0 : RL

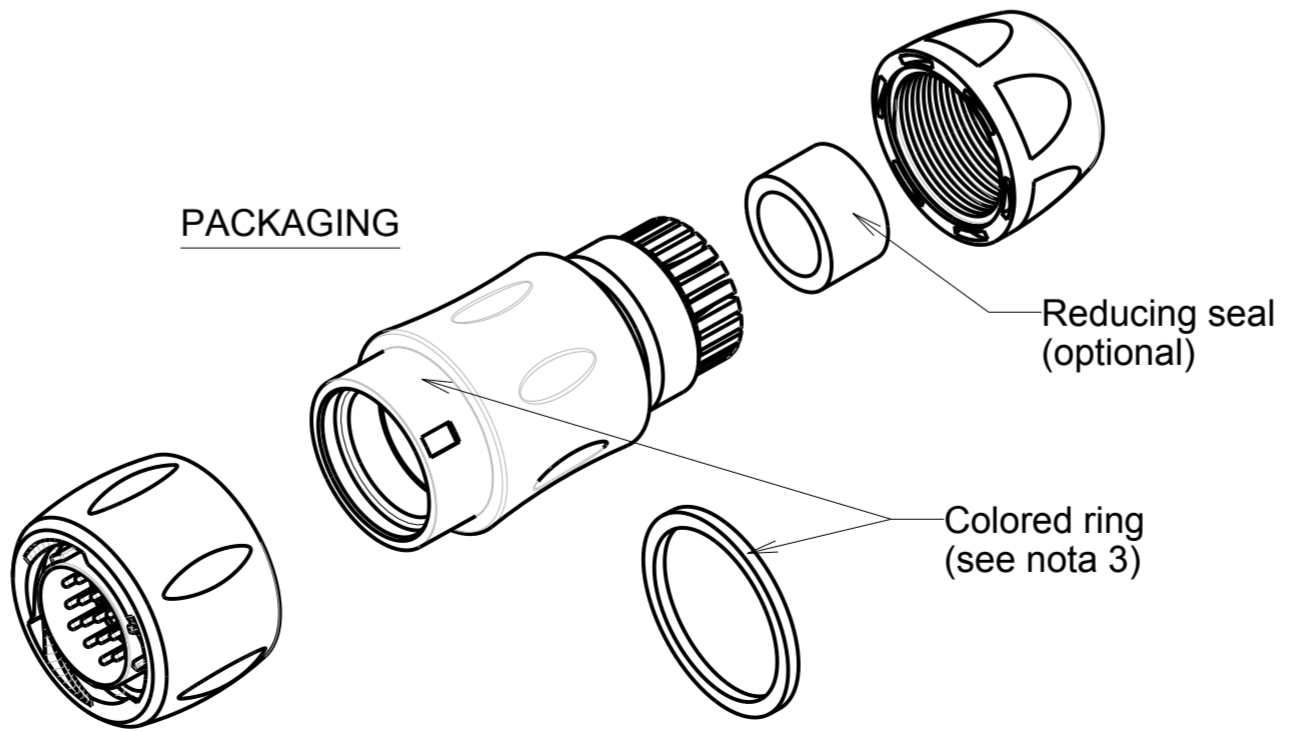


SHELL SIZE	Ø A Maxi	B MINI	CAPACITY C		HEXAGON D	Tightening torque (BACKSHELL NUT)
			STANDARD	REDUCING SEAL		
08	22.50	54.00	2.5/6.5	1.50/5.00	16.00	2 Nm
10	26.70	63.20	2.50/8.00	1.50/5.00	18.50	3 Nm
12	30.15	66.70	5.00/12.00	3.00/9.00	24.00	3 Nm
14	35.10	71.50	7.00/14.00	5.00/12.00	26.00	3 Nm

**MATERIAL :**  
 Coupling Nut: Polyamid UL94 V-0  
 Insert: Polychloropren (CR)  
 Backshell : Polyamid UL94 V-0  
 Shell : Polyamid UL94 V-0  
 Coupling spring : Stainless steel  
 O'seal : Nitril  
 Contact : Brass + gold plated

**PERFORMANCE CHARACTERISTICS :**  
 Operating temperature: -40°C up to 105°C  
 Insulation resistance: 5000 MΩ min  
 Test potential: 1500Vrms for #20 layout  
 Corrosion salt spray: 500 hours  
 Durability: 250 matings and unmatings  
 Sealing in mated conditions:  
 -IP68 1 bar during 1 week : immersion under 10 m of water. (IEC 60529)  
 -IP69K : exposure to high pressure water of cleaning equipment (DIN 40050)

**NOTES :**  
 1-Plug, backshell and the reducing seal are delivered as a kit  
 The backshell already includes the standard seal.  
 2-Insert arrangements : refer to C144-UTS1-A  
 3-Colored ring to be orderd separately refer to customer drawing C006-UTS1-A



**CUSTOMER DRAWING**

h	12/05/11	add orientations in the part number		21774
ISS	DATE	Latest modification - by: J.FEURPRIER		MOD N°
Designed by:	SORIN V.	Date: 24/10/07	CUSTOMER DRAWING	
TITLE	PLUG WITH BACKSHELL UTS HI SEAL			
Scale	2/1	General linear Tolerances: ± 0.1	NPRDS / PROJECT UTS	
		WWW.SOURIAU.COM		This document is the property of SOURIAU. It must not be reproduced or communicated without permission.
FORMAT	A2	SOURIAU DRG N° C043-UTS1-A		SHEET 1 / 1