

**ebm-papst St. Georgen GmbH & Co. KG**

Hermann-Papst-Str. 1  
 D-78112 St. Georgen  
 Phone +49 (0) 7724 81-0  
 Fax +49 (0) 7724 81-1309  
 info2@de.ebmpapst.com  
 www.ebmpapst.com

**Nominal data**

Type	8412 NGMLE	
Nominal voltage	VDC	12
Nominal voltage range	VDC	8 .. 15
Speed	min <sup>-1</sup>	2050
Power input	W	0.9
Min. ambient temperature	°C	-20
Max. ambient temperature	°C	80
Air flow	m <sup>3</sup> /h	45
Sound power level	B	3.9
Sound pressure level	dB(A)	19

ml = Max. load · me = Max. efficiency · fa = Running at free air · cs = Customer specs · cu = Customer unit  
 Subject to alterations

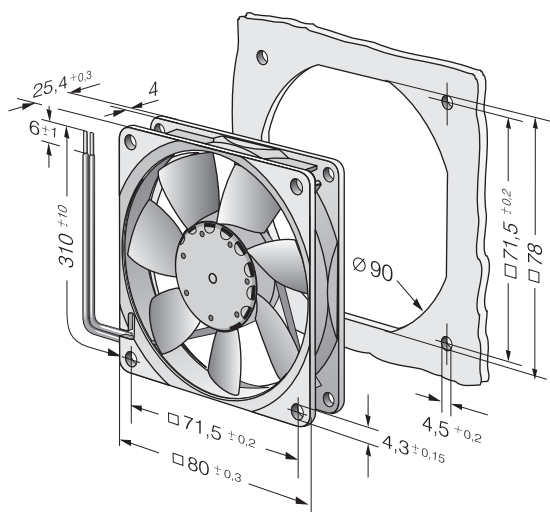


**Technical features**

<b>Housing material</b>	Fibreglass-reinforced plastic (PBT)
<b>Impeller material</b>	Fibreglass-reinforced plastic (PA)
<b>Mass</b>	0.095 kg
<b>Dimensions</b>	80 x 80 x 25 mm
<b>Direction of air flow</b>	Air exhaust over bars
<b>Direction of rotation</b>	Left, looking at rotor
<b>Bearing</b>	Sintec sleeve bearing system
<b>Lifetime L10 at 40 °C</b>	80000 h
<b>Lifetime L10 at maximum temperature</b>	32500 h
<b>Connection line</b>	Single strands AWG 24, TR 64, bared and tin-plated.
<b>Motor protection</b>	Protected against reverse polarity and locking.
<b>Locked-rotor protection</b>	Blocking and overload protection
<b>Approval</b>	VDE, CSA, UL, CE



## Product drawing



## Charts: Air flow

