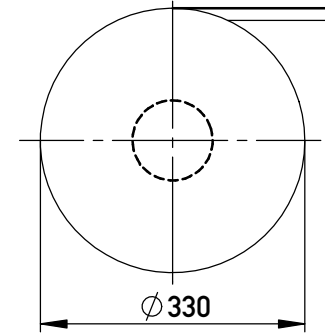
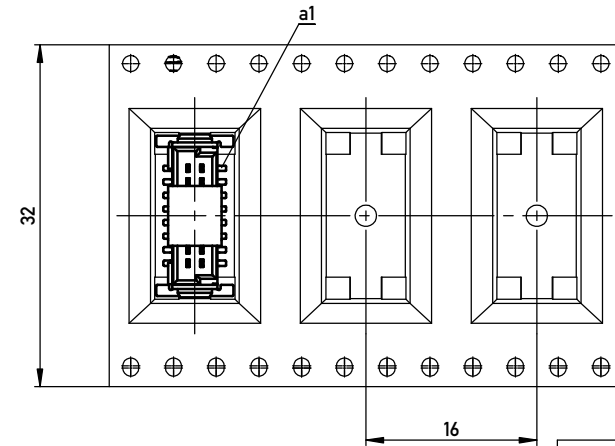


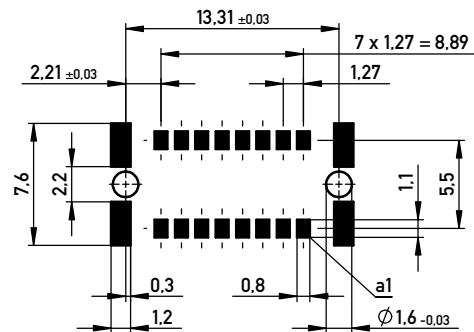
Verpackt in Gurtverpackung
 Tape on Reel Packaging
 Verpackungseinheit: 280 Stück
 Packaging unit: 280 pcs



Abspulrichtung - Reel off Direction



Leiterplatten-Layout Vorschlag für SMT
 PCB-Layout Proposal for SMT



BA 8-03 - Standard Bauhöhe

type 8-03 - Standard Assembly Height

Information:	Tolerances	 All Dimensions in mm	Scale	3:1
	All rights reserved. Only for Information. To ensure that this is the latest version of this drawing, please contact one of the ERNI companies before using.			
Subject to modification without prior notice. Drawing will not be updated.	Designation			
	Messl. SMC-Q 16-SMD-BA8-03 Male SMC-Q 16-SMD-type8-03			
www.ERNI.com		254536		1
d	08.07.2013			A3
Index	Date	Class		SMCQ

Copyright by ERNI GmbH. Proprietary notice pursuant to ISO 16018 to be observed.