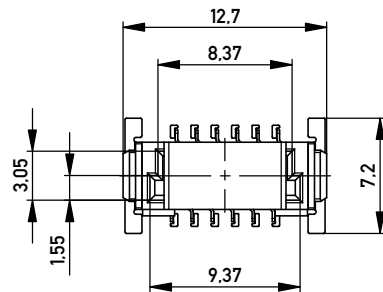
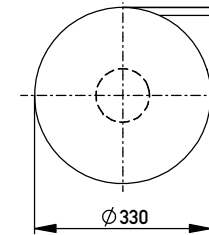
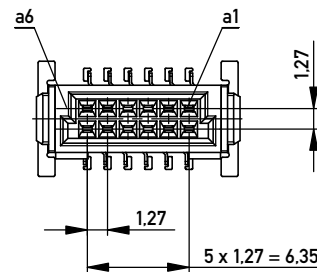


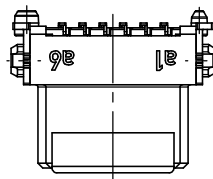
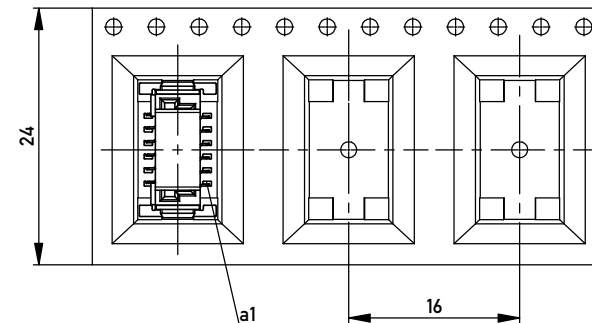
Verpackt im Gurt nach DIN IEC 60286-3  
 Tape on Reel Packaging according to DIN IEC 60286-3  
 Verpackungseinheit: 280 Stück  
 Packaging unit: 280 pcs



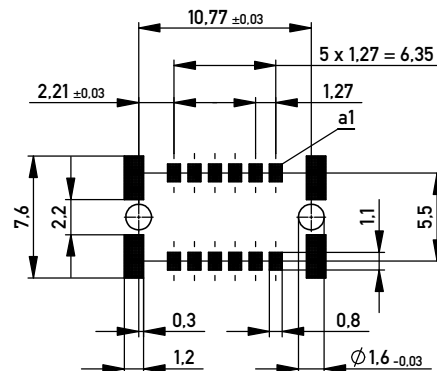
ohne Ansaughaube - without hood



Abspulrichtung - Reel off Direction



Leiterplatten-Layout Vorschlag für SMT  
 PCB-Layout Proposal for SMT



Anforderungsstufe 1  
 Performance Level 1

Kontaktbereich vergoldet  
 Mating Area gold plating

Anschlussbereich verzinkt 4-6 µm  
 Terminal Area 4-6 µm tin plating

Koplanarität der Anschlüsse ≤ 0,1 mm  
 Coplanarity Area of Termination ≤ 0,1 mm

BA 7-03 - Standard Bauhöhe

type 7-03 - standard assembly height

Information:		Tolerances	All Dimensions in mm	Scale	3:1
All rights reserved. Only for Information. To ensure that this is the latest version of this drawing, please contact one of the ERNI companies before using.		Subject to modification without prior notice. Drawing will not be updated.		Designation <b>Federl. SMC-B 12-SMD-BA7-03</b> <i>Female SMC-B 12-SMD-type7-03</i>	
ERNI		www.ERNI.com		154717	
e	04.12.2013			I	
Index	Date			A3	
				Class	SMCB

Copyright by ERNI GmbH. Proprietary notice pursuant to ISO 16018 to be observed.