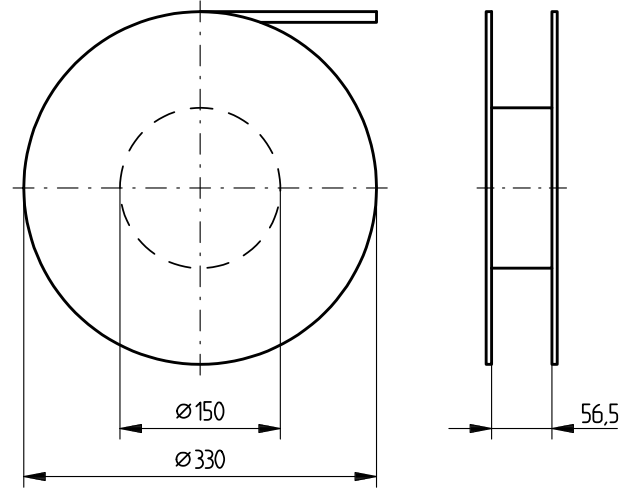
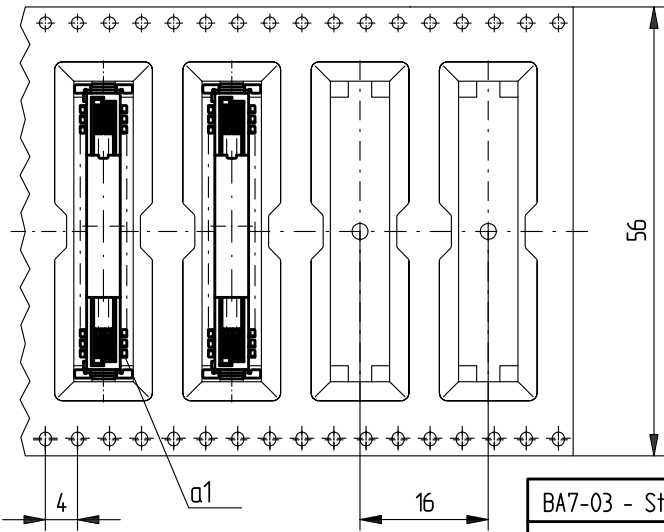


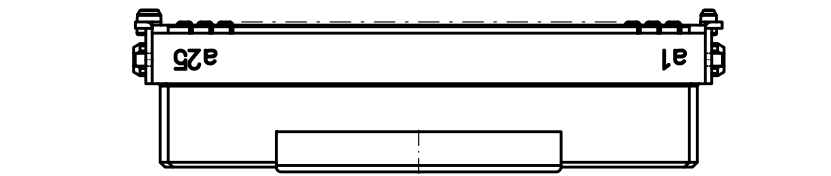
Verpackt in Gurtverpackung - *Tape on Reel Packaging*
 Verpackungseinheit: 280 Stück - *Packaging unit: 280 pcs*



Abspulrichtung - *Reel off Direction*

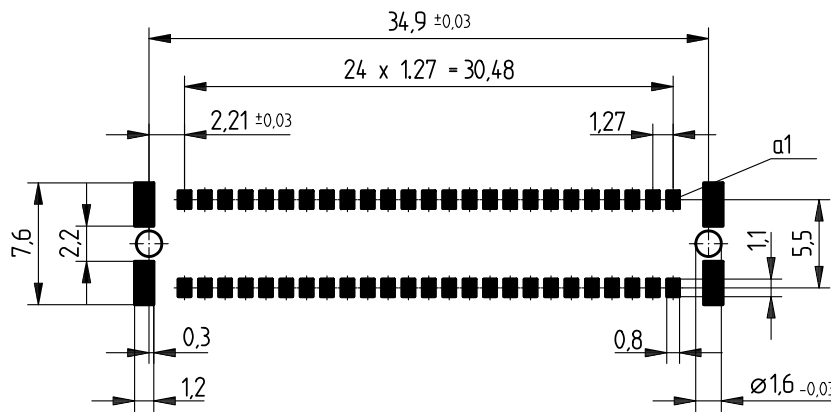


BA7-03 - Standard Bauhöhe
 type7-03 - Standard Assembly Height



Leiterplatten-Layout Vorschlag für SMT
PCB-Layout Proposal for SMT

Anforderungsstufe 1
Performance Level 1
 Kontaktbereich verguldet
Mating Area gold plating
 Anschlussbereich verzinkt 4-6 µm
Terminal Area 4-6 µm tin plating
 Koplanarität der Anschlüsse ≤ 0.1mm
Caplanarity Area of Termination ≤ 0.1mm



Information:	Tolerances	Scale 3:1	Angaben zu entsprechender Ident-Nr. siehe Fertigungsunterlagen <i>For further information about I.D. number see manufacturing document.</i>
	 All Dimensions in mm		
All rights reserved. Only for information. To insure that this is the latest version of this drawing, please contact one of the ERNI companies before using.	Subject to modification without prior notice. Drawing will not be updated.	Designation	
		Federl. SMC-B 50-SMD-BA7-03 Female SMC-B 50-SMD-type7-03	
	www.ERNI.com	154719	I
d	13.02.2008	SMCB	
Index	Date	H:00064902.SZA	

Consider protection memo from DIN 34.