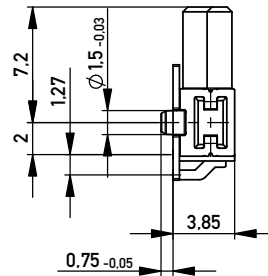
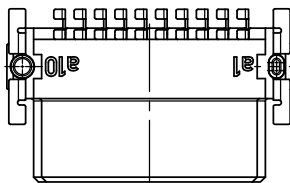
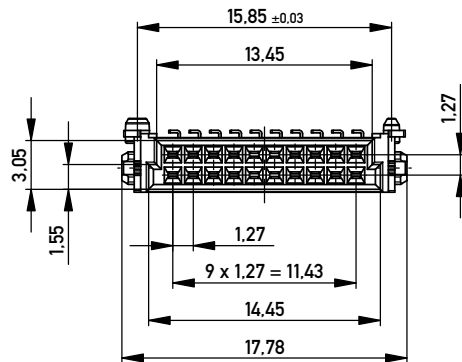
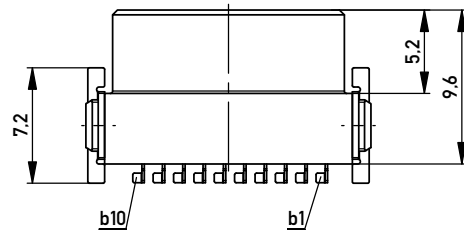
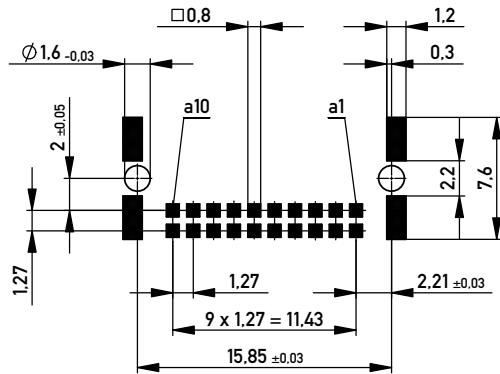


Leiterplatten-Layout Vorschlag für SMT  
PCB-Layout Proposal for SMT



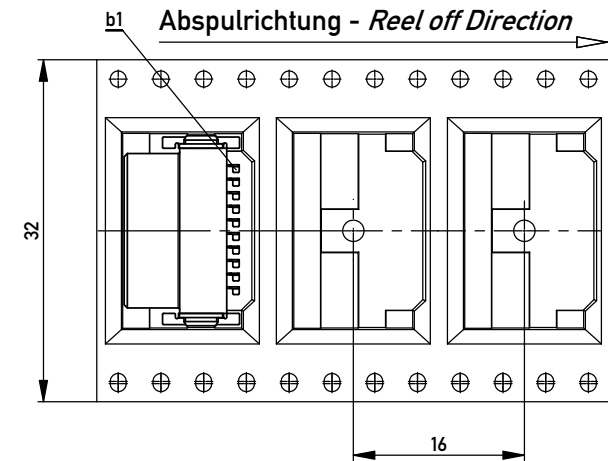
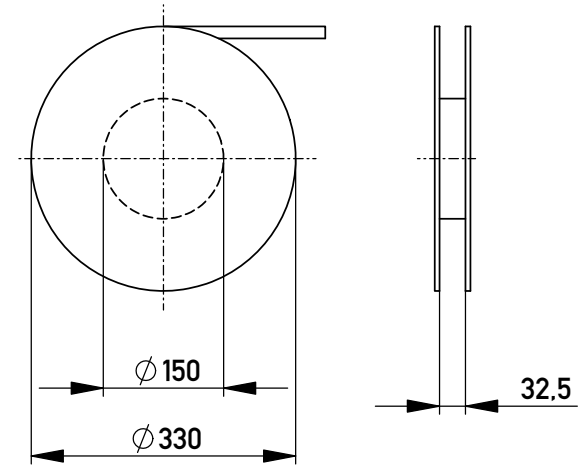
Anforderungsstufe 1  
Performance Level 1

Kontaktbereich vergoldet  
Mating Area gold plating

Anschlussbereich verzinkt 4-6 µm  
Terminal Area 4-6 µm tin plating

Koplanarität der Anschlüsse ≤ 0,1 mm  
Coplanarity Area of Termination ≤ 0,1 mm

Verpackt in Gurtverpackung - Tape on Reel Packaging  
Verpackungseinheit: 560 Stück - Packaging unit: 560 pcs



BA7-03 - Standard Bauhöhe  
type7-03 - standard assembly height

Information:		Tolerances	All Dimensions in mm	Scale 3:1
All rights reserved. Only for Information. To ensure that this is the latest version of this drawing, please contact one of the ERNI companies before using.		Subject to modification without prior notice. Drawing will not be updated.		Designation <b>Federl. SMC-Q 20-SMD-BA7-03</b> <i>Female SMC-Q 20-SMD-type7-03</i>
a		05.04.2011		354079
Index		Date		
www.ERNI.com		ERNI		I
Class		SMCQ		A3

Copyright by ERNI GmbH. Proprietary notice pursuant to ISO 16016 to be observed.