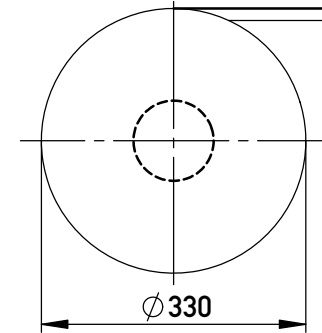
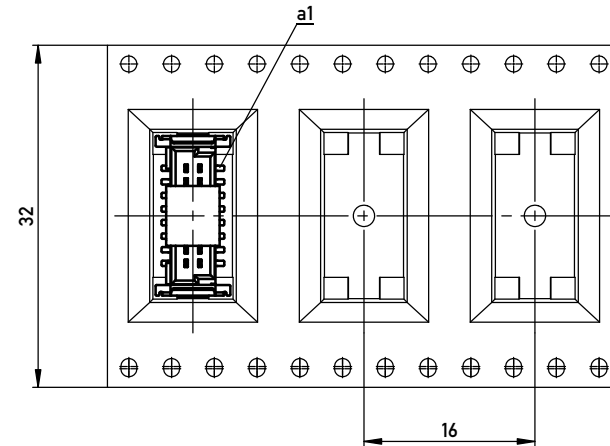


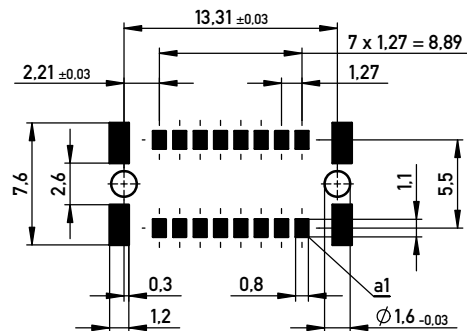
Verpackt in Gurtverpackung
 Tape on Reel Packaging
 Verpackungseinheit: 280 Stück
 Packaging unit: 280 pcs



Abspulrichtung - Reel off Direction



Leiterplatten-Layout Vorschlag für SMT
 PCB-Layout Proposal for SMT



BA 8-13 - 8mm Bauhöhe
 type 8-13 - Low Profile

Information:		Tolerances	All Dimensions in mm	Scale 3:1
All rights reserved. Only for Information. To ensure that this is the latest version of this drawing, please contact one of the ERNI companies before using.		Subject to modification without prior notice. Drawing will not be updated.		Designation Messeri. SMC-Q 16-SMD-BA8-13 Male SMC-Q 16-SMD-type8-13
ERNI www.ERNI.com		254587		I A3
d	23.07.2013	Class		SMCQ
Index	Date			

Copyright by ERNI GmbH
 Proprietary notice pursuant to ISO 9006 to be observed.