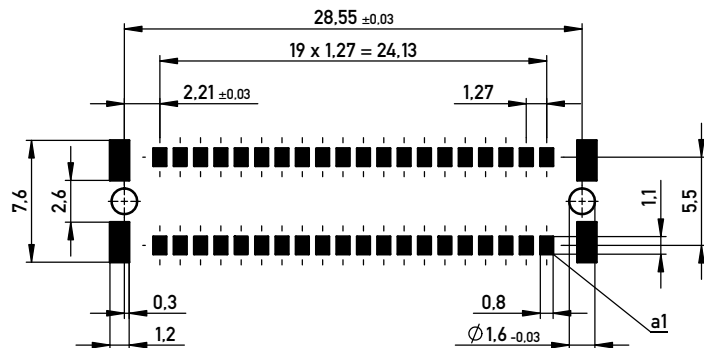
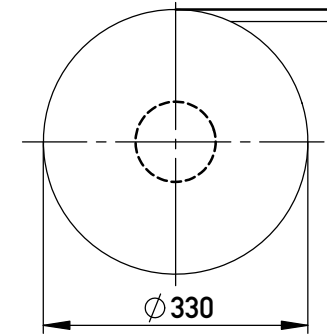


Leiterplatten-Layout Vorschlag für SMT
PCB-Layout Proposal for SMT



Verpackt in Gurtverpackung
Tape on Reel Packaging
Verpackungseinheit: 280 Stück
Packaging unit: 280 pcs



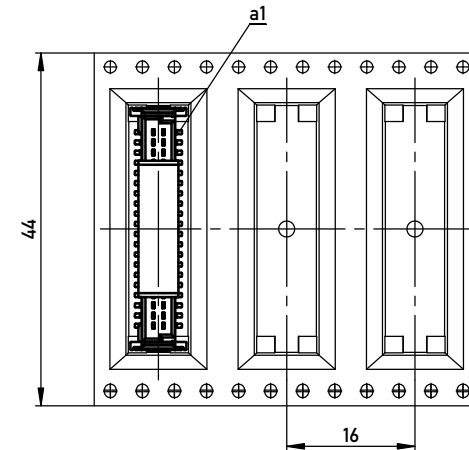
Anforderungsstufe 1
Performance Level 1

Kontaktbereich vergoldet
Mating Area gold plating

Anschlussbereich verzinkt 4-6 µm
Terminal Area 4-6 µm tin plating

Koplanarität der Anschlüsse ≤ 0,1 mm
Coplanarity Area of Termination ≤ 0,1 mm

Abspulrichtung - Reel off Direction



BA 8-13 - 8mm Bauhöhe
type 8-13 - Low Profile

Information:	Tolerances	 All Dimensions in mm	Scale	3:1
	All rights reserved. Only for Information. To ensure that this is the latest version of this drawing, please contact one of the ERNI companies before using.		Designation Messertl. SMC-Q 40-SMD-BA8-13 Male SMC-Q 40-SMD-type8-13	
Subject to modification without prior notice. Drawing will not be updated.		 www.ERNI.com	254590	
d	24.07.2013		Class SMCQ	
Index	Date	I A3		

Copyright by ERNI GmbH
Proprietary notice pursuant to ISO 9006 to be observed.