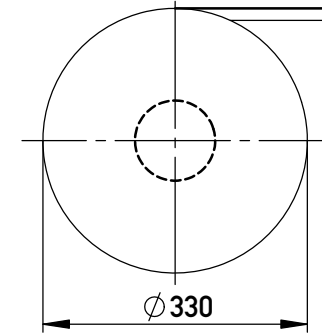
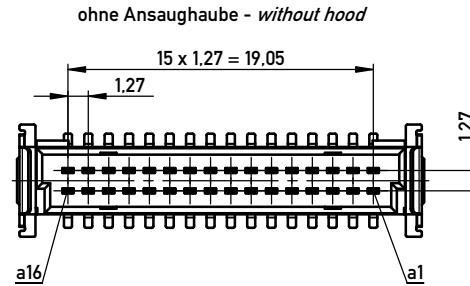
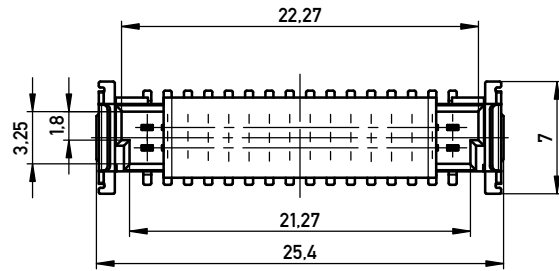
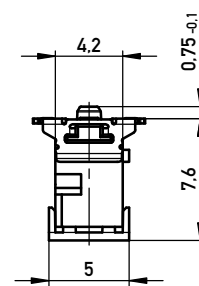
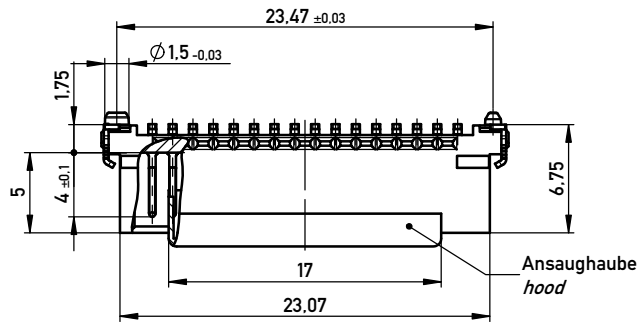
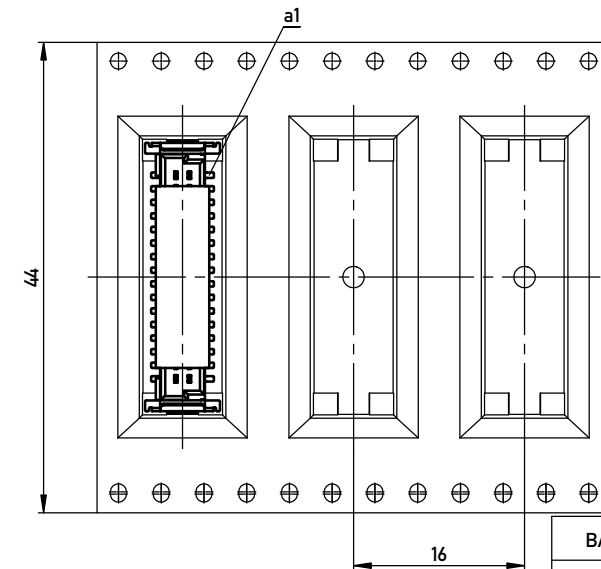


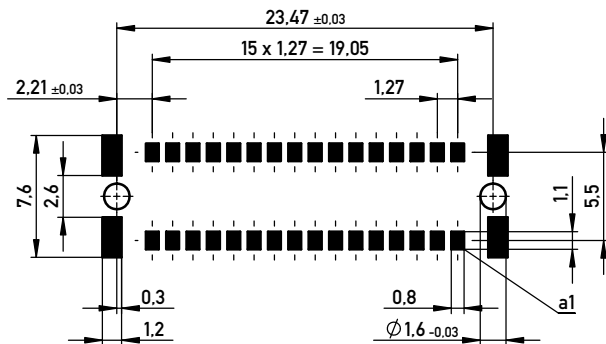
Verpackt in Gurtverpackung  
*Tape on Reel Packaging*  
 Verpackungseinheit: 280 Stück  
*Packaging unit: 280 pcs*



Abspulrichtung - *Reel off Direction*



Leiterplatten-Layout Vorschlag für SMT  
*PCB-Layout Proposal for SMT*



Anforderungsstufe 1  
*Performance Level 1*

Kontaktbereich vergoldet  
*Mating Area gold plating*

Anschlussbereich verzinkt 4-6 µm  
*Terminal Area 4-6 µm tin plating*

Koplanarität der Anschlüsse ≤ 0.1 mm  
*Coplanarity Area of Termination ≤ 0.1 mm*

BA 8-13 - 8mm Bauhöhe  
*type 8-13 - Low Profile*

Copyright by ERNI GmbH  
 Proprietary notice pursuant to ISO 9006 to be observed.

Information:		Tolerances	Scale 3:1	Designation	
All rights reserved. Only for Information. To ensure that this is the latest version of this drawing, please contact one of the ERNI companies before using.		 All Dimensions in mm	 All Dimensions in mm	<b>Messerl. SMC-Q 32-SMD-BA8-13</b> <i>Male SMC-Q 32-SMD-type8-13</i>	
www.ERNI.com		<b>254589</b>		I	
d	24.07.2013	Class		A3	
Index	Date	SMCQ			